

IMPORTANT SAFEGUARDS

INSTALLATION INSTRUCTIONS
INSTRUCTIONS D'INSTALLATION

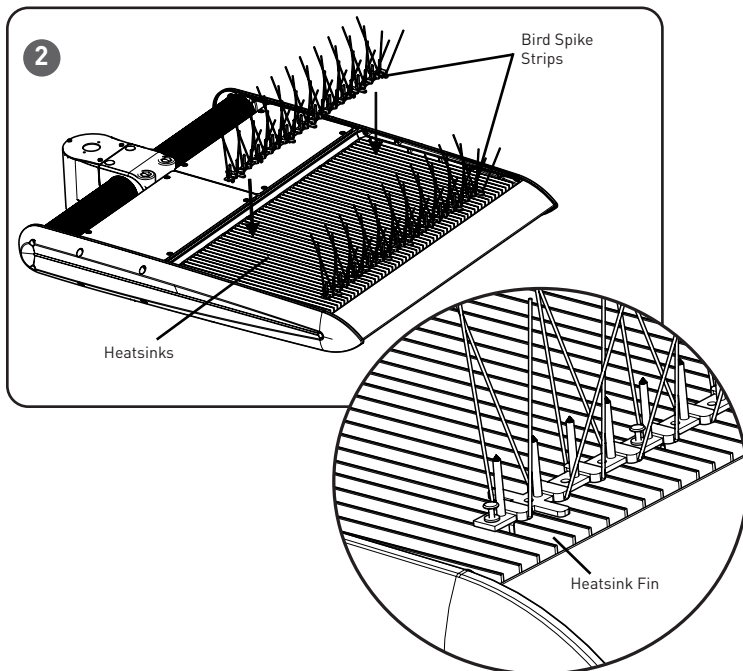
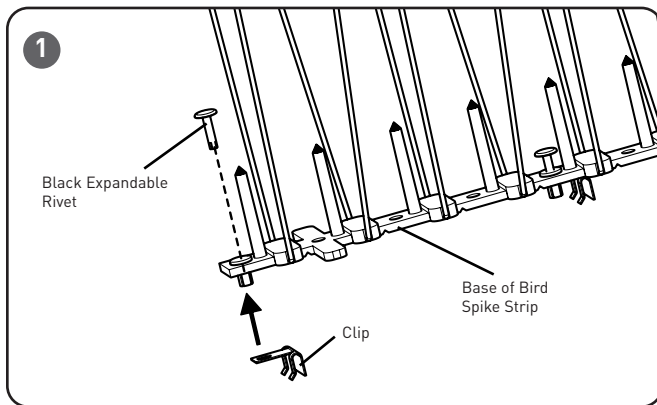
When using electrical equipment, basic safety precautions should always be followed including the following:

READ AND FOLLOW ALL SAFETY INSTRUCTIONS

- 1. DANGER**- Risk of shock- Disconnect power before installation.
DANGER – Risque de choc – Couper l'alimentation avant l'installation.
- When handling, hold luminaire on sides to prevent damage to the LED's.

SAVE THESE INSTRUCTIONS FOR FUTURE REFERENCE

TO INSTALL:



BIRD SPIKE INSTALLATION

STEP 1:

From the underside of the bird spike strip base, line up the clip with the hole on the bird spike strip. Secure the clip to the spike strip by placing the black expandable rivet through the topside of the hole in the base of bird spike strip. See **Figure 1**.

STEP 2:

Continue attaching and securing all the supplied clips to the bird spike strip, evenly space each clip from one another.

NOTE:

- 240 LED luminaires have (6) clips per bird spike strip.
- 120 LED luminaires have (3) clips per bird spike strip

STEP 3:

Center the bird spike strip horizontally across the heatsinks located on top of the luminaire and slip each clip over the fin of the heatsink. See **Figure 2**.

STEP 4:

Firmly press down on the expandable rivet to secure the clips and bird spike strip onto the heatsink.

STEP 5:

Repeat above steps for installing the remaining bird spike strip.