

IMPORTANT SAFEGUARDS

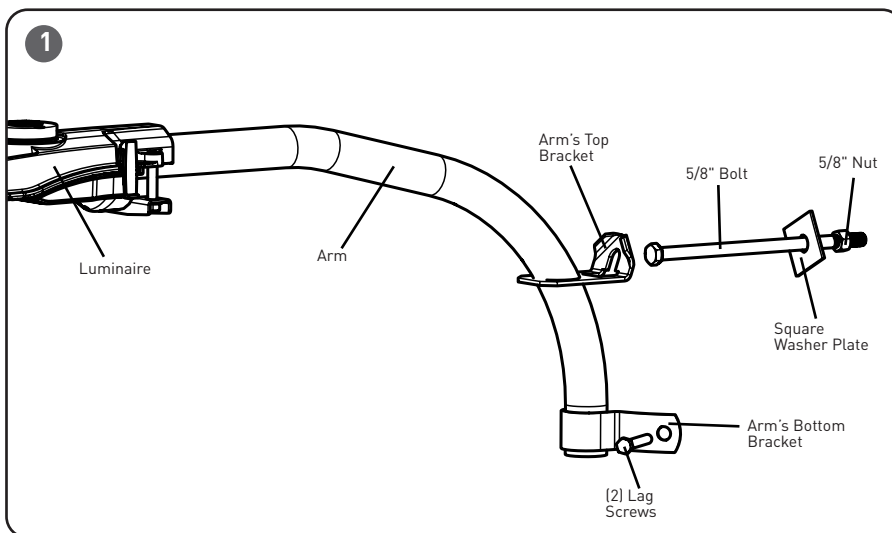
When using electrical equipment, basic safety precautions should always be followed including the following:

READ AND FOLLOW ALL SAFETY INSTRUCTIONS

- 1. DANGER-** Risk of shock- Disconnect power before installation.
DANGER – Risque de choc – Couper l'alimentation avant l'installation.
- This luminaire must be installed in accordance with the NEC or your local electrical code. If you are not familiar with these codes and requirements, consult a qualified electrician.
Ce produit doit être installé conformément à NEC ou votre code électrique local. Si vous n'êtes pas familier avec ces codes et ces exigences, veuillez contacter un électricien qualifié.

SAVE THESE INSTRUCTIONS FOR FUTURE REFERENCE

TO INSTALL:



INSTALLATION

STEP 1:

Prepare customer's wooden utility pole for 5/8" bolt installation by drilling a hole all the way through.

STEP 2:

Place the long 5/8" bolt through the hole in the pole that was drilled in Step 1 and loosely secure with 5/8" nut and square washer plate.

STEP 3:

Engage the arm's top bracket over the head of the 5/8" bolt from Step 2.

STEP 4:

Tightly secure the arm's bottom bracket using (2) lag screws to the pole.

STEP 5:

If necessary for proper leveling of the arm, tighten the 5/8" nut more.

