

IMPORTANT SAFEGUARDS

INSTALLATION INSTRUCTIONS
INSTRUCTIONS D'INSTALLATION

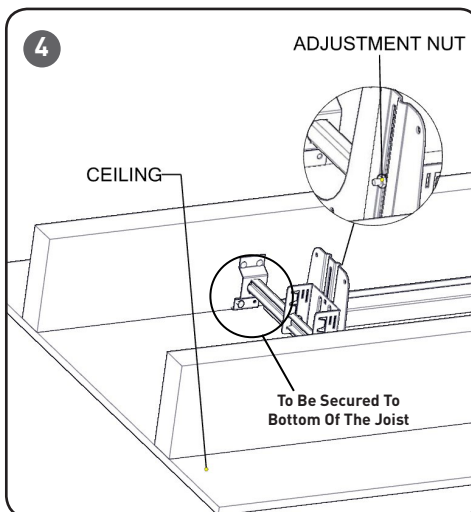
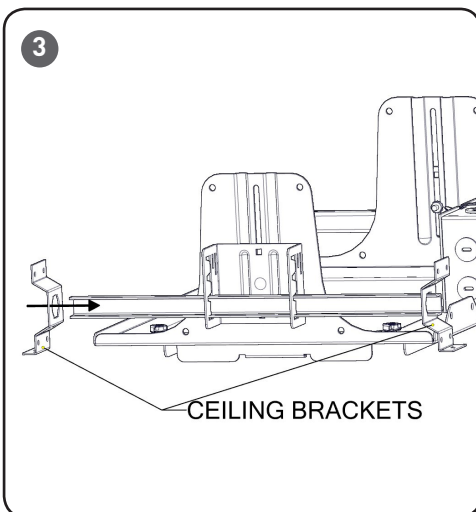
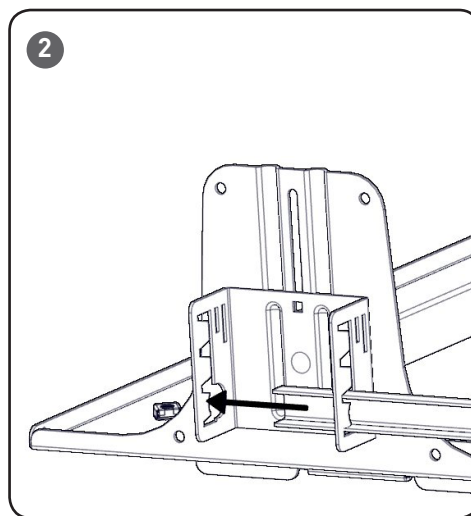
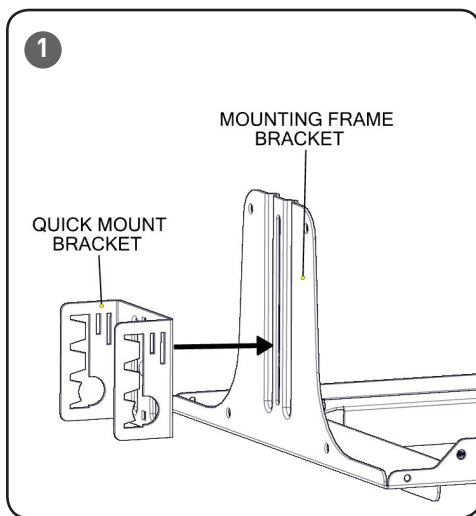
When using electrical equipment, basic safety precautions should always be followed including the following:

READ AND FOLLOW ALL SAFETY INSTRUCTIONS

- DANGER**- Risk of shock- Disconnect power before installation.
DANGER – Risque de choc – Couper l'alimentation avant l'installation.

SAVE THESE INSTRUCTIONS FOR FUTURE REFERENCE

TO INSTALL:



MOUNTING BAR KIT

STEP 1:

Slide the Quick Mount Bracket through the slot on the Mounting Frame Bracket, on each side of the Pan, and secure it by tightening the Adjustment Nut on the backside. See **Figure 1**.

STEP 2:

Thread Mounting Bar through the bottom opening on the Quick Mount Bracket on each side of the Pan. See **Figure 2**.

STEP 3:

Slide the top of the (2) supplied Ceiling Brackets onto each side of the Mounting Bar. See **Figure 3**.

STEP 4:

Bring Mounting Kit Bar Assembly into ceiling and adjust mounting height by loosening Adjustment Nut, on the back of the Mounting Frame Bracket. Then position the Quick Mount Bracket so that the Ceiling Brackets will be flushed with the bottom of the joist. See **Figure 4**.

NOTE: When bringing the Mounting Kit Bar Assembly into the ceiling, the bottom of the Rough-in Pan should be flushed to the bottom of the joist.

STEP 5:

Tighten Adjustment Nut and secure Ceiling Brackets to the joist with customer provided hardware.

STEP 6:

Hang fixture as instructed in fixture installation sheet.