

IMPORTANT SAFEGUARDS

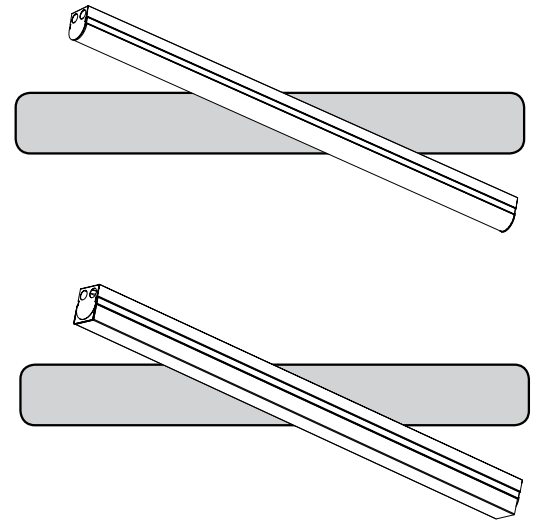
When using electrical equipment, basic safety precautions should always be followed including the following:

READ AND FOLLOW ALL SAFETY INSTRUCTIONS

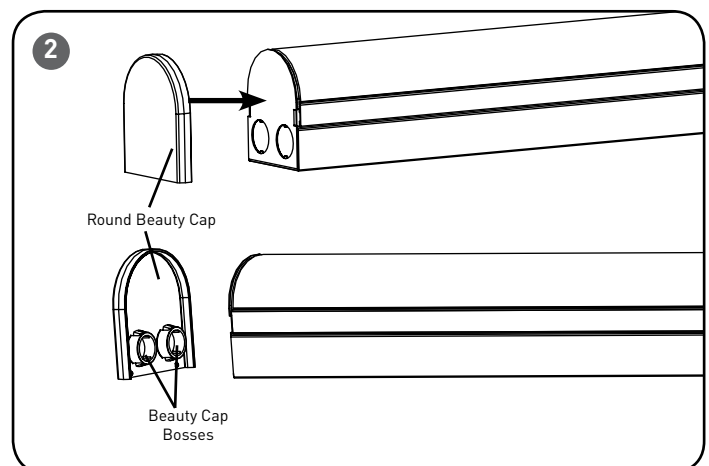
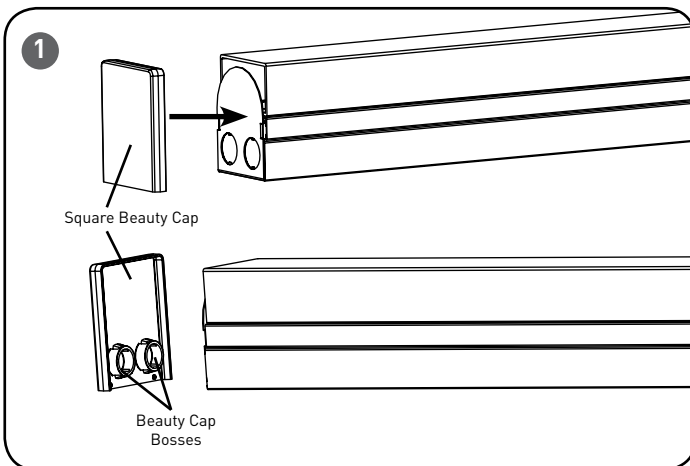
- DANGER**- Risk of shock- Disconnect power before installation.
DANGER – Risque de choc – Couper l'alimentation avant l'installation.

SAVE THESE INSTRUCTIONS FOR FUTURE REFERENCE

INSTALLATION INSTRUCTIONS INSTRUCTIONS D'INSTALLATION



TO INSTALL:



INSTALLATION

NOTE: Remove all knockouts or plugs, if applicable, on the end of the luminaire where the beauty cap will be installed.

STEP 1:

Insert the (2) bosses on the beauty cap into the (2) knockouts on the desired end of the luminaire as shown in **Figure 1** for LSQ and **Figure 2** for LS luminaires.