

CONTACT CLOSURE INPUT CONTROLLER

IBRIDGE

The 24 Volt DC I/Bridge Contact Closure Input Controller is a module that can receive dry contact closure signals to control Audacity Luminaire Controllers. The I/Bridge Controller is powered by a 24 Volt DC input and has up to 4 inputs to support different switch functions. This device is ideal for applications in hospitals, schools and retrofit buildings where integration to already established contact closure systems is required.

HOW IT WORKS

The 24V DC I/Bridge Controller operates in the highly reliable 915 MHz spectrum. Your electrical installer connects the I/Bridge Controller to 24V DC power and it is installed above a typical drop ceiling or affixed to a hard surface if desired. The typical transmit range is within 100 feet of the Gateway or Luminaire Controllers. And with the repeater mode enabled in the Audacity Luminaire Controllers, the range is extended even farther.

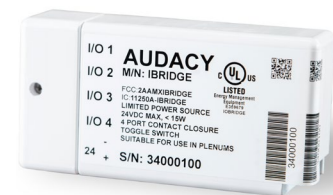
BECAUSE TIME IS MONEY

A typical wired system is vastly more labor intensive and costly to install. The Audacity System gets your system up and operational faster and can be modified over time with incredible ease.

The Audacity Wireless Controls system can be used to provide compliance with ASHRAE 90.1-2016.

**AUDACITY BY IDEAL®:
CUTTING COSTS.
CUTTING EDGE.**

IDEAL has been a leading manufacturer of quality electrical products for over one hundred years. Crafted at the intersection of simple and innovative, is our Audacity Wireless Controls system.



AUDACITY®
WIRELESS LIGHTING CONTROL
YOUR WORLD IN A BETTER LIGHT

CONTACT CLOSURE INPUT CONTROLLER

IBRIDGE

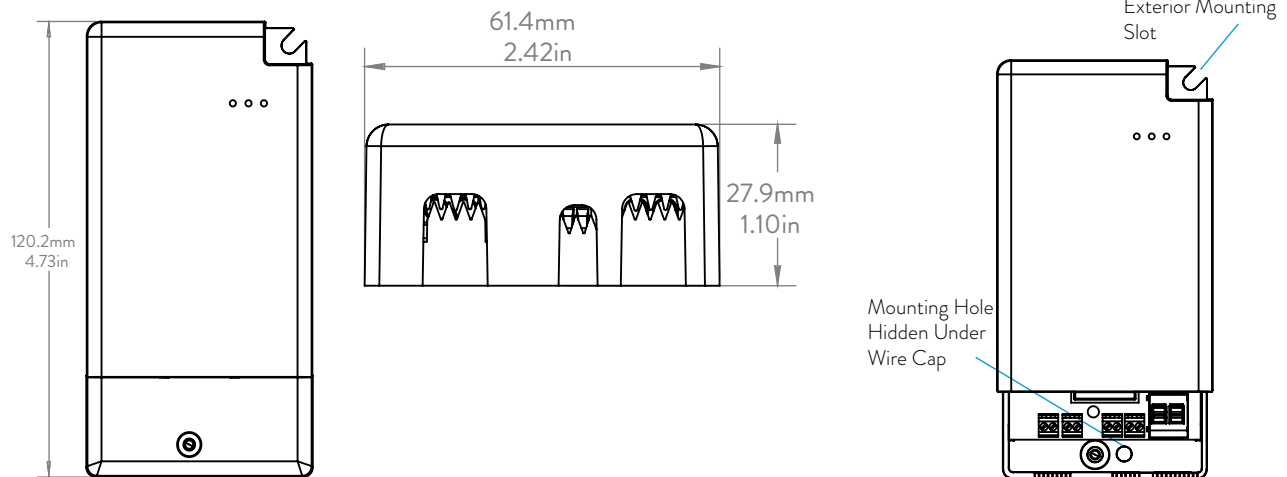


On the DesignLights Consortium™ Qualified Products List

SPECIFICATIONS

ITEM	DESCRIPTION
Radio Frequency Range	902–928 MHz, Dual Channel, Integrated Wire Antenna
Wireless Protocol	Proprietary based on IEEE 802.15.4
Encryption	Proprietary based on AES encryption
Regulatory Approvals	FCC: 2AAMXIBRIDGE IC: 11250A-IBRIDGE UL916 (Energy Management Equipment), UL2043 “Suitable for use in plenum spaces” CSA-22.2 No. 205, Signal Equipment
Transmit Power	0 dBm short duration, utilizing direct sequence spread spectrum
Transmit Range	100 ft. (30 m) indoors to an Audacy Gateway or Luminaire Controller in a typical commercial building; extended range when repeater mode enabled
Input Voltage	12-24V DC
Maximum Ampere Draw	.02A
Rated Load Wattage	Less than 0.5 Watts
Operating Temperature	50°F to 158°F (10°C to 70°C)
Installation Environment	Indoor use only
Mounting	Mounting holes provided for installation to fittings or support structure
Wire Connections	Terminal Connections 22 AWG to 18 AWG
Color	White
Dimensions	4.73in. (120.2mm) x 2.41in. (61.2mm) x 1.1in. (28mm)
Weight	4.6 oz (130.4g)
Warranty	5 year
Catalog Number	59-IBRIDGE
Description	Contact Closure Input Controller

MECHANICAL DIMENSIONS (MM & INCHES)



CONTACT US TODAY FOR A CONSULTATION

800.273.9989

CONTACTUS@AUDACYWIRELESS.COM

AUDACYWIRELESS.COM

AUDACY

WIRELESS LIGHTING CONTROL

YOUR WORLD IN A BETTER LIGHT

A COMPANY OF IDEAL INDUSTRIES, INC.