

INSTALLATION INSTRUCTIONS INSTRUCTIONS D'INSTALLATION

IMPORTANT SAFEGUARDS

When using electrical equipment, basic safety precautions should always be followed including the following:

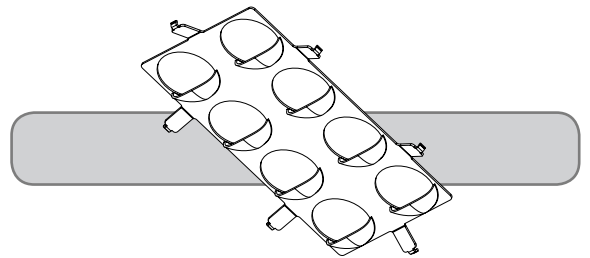
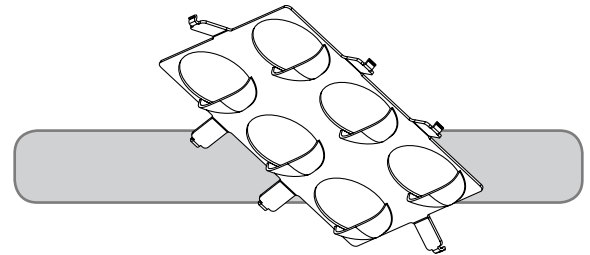
READ AND FOLLOW ALL SAFETY INSTRUCTIONS

- DANGER**- Risk of shock- Disconnect power before installation.
DANGER – *Risque de choc – Couper l'alimentation avant l'installation.*

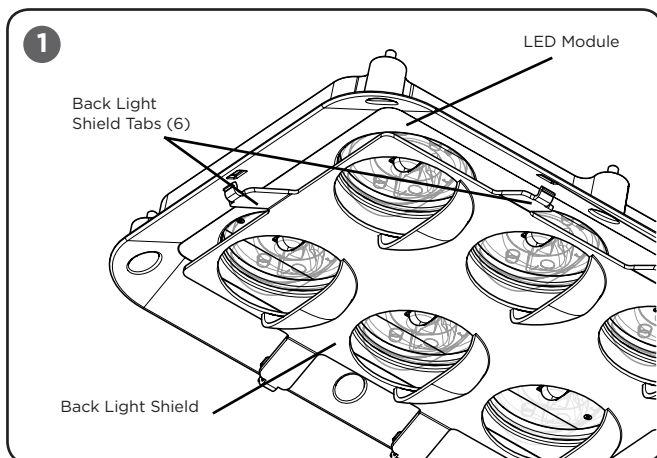
SAVE THESE INSTRUCTIONS FOR FUTURE REFERENCE

ACCESSORY KIT CONTENTS

- (2) Back Light Shields



TO INSTALL:



BACK LIGHT SHIELD

NOTE: There are (2) different versions of the Back Light Shield for aiming of the luminaire light (each version sold separately):

- Aiming light Right or Left of the luminaire.
- Aiming light Forward from the luminaire.

STEP 1:

Clean the surface of the LED Module.

NOTE: Be sure to use a very mild detergent. Damage will occur to the LED Optics if any alcohol based or otherwise harsh chemicals used.

STEP 2:

Orientate the Back Light Shield depending on the version of the shield, and carefully place on the surface of the LED Module. See **Figure 1**.

STEP 3:

Snap the Back Light Shield tabs (6) into the LED Module. See **Figure 1**.

STEP 4:

Repeat Steps 2 and 3 for the second Back Light Shield on the other LED Module.