

**INSTALLATION INSTRUCTIONS**

**IMPORTANT SAFEGUARDS**

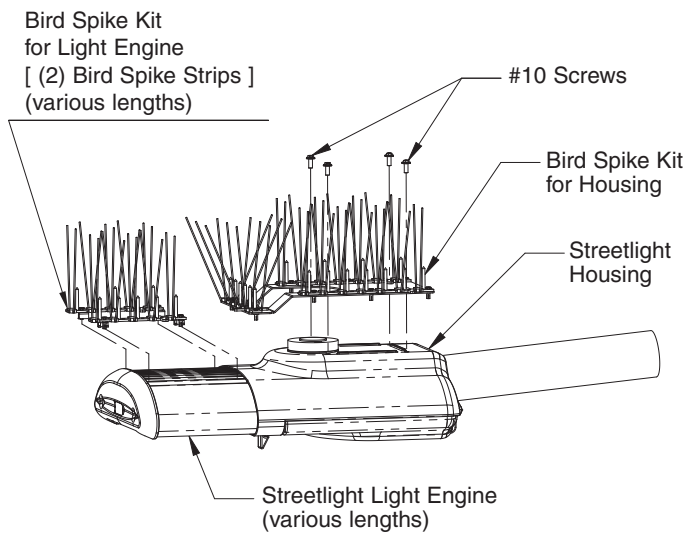
When using electrical equipment, basic safety precautions should always be followed including the following:

**READ AND FOLLOW ALL SAFETY INSTRUCTIONS**

1. To avoid the possibility of electrical shock, turn off power supply before installation or servicing.
2. When handling, hold fixture on sides to prevent damage to the LED's.

**SAVE THESE INSTRUCTIONS FOR FUTURE REFERENCE**

**Figure 1 - BIRD SPIKE KITS APPLICATION**

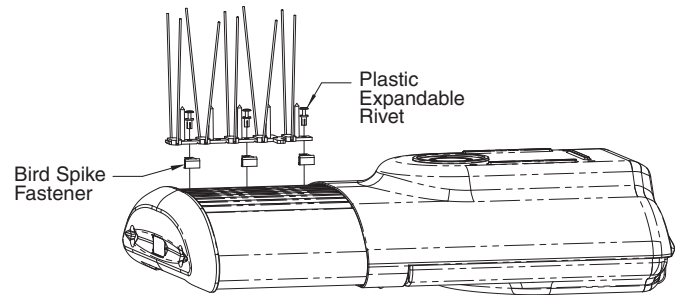


5. If thumb pressure is not sufficient for engaging bird spike strips onto heat sink fins, try the back end of a screwdriver or other tool to administer enough pressure for proper engagement.

**MOUNTING - BIRD SPIKES (HOUSING)**

1. Bird spike assembly is available already assembled for easy mounting on top of the light fixture housing.
2. Reference the following catalog number for the appropriate bird spike kit for the light fixture housing:  
**XA-BRDSPKHSG** - Kit for LEDway Fixture Housing
3. Line up and screw down the (4) self-retaining #10 screws of the bird spike kit bracket onto the top mounting holes of the fixture housing, until snug.

**Figure 2 - BIRD SPIKE FASTENERS APPLICATION**



**MOUNTING - BIRD SPIKES (LIGHT ENGINE)**

**NOTE:** Fixture will take (2) bird spike strips placed lengthwise onto the heat sink light engine to obtain sufficient protection.

1. Bird spike strips in appropriate lengths are available already assembled with proper fasteners for tool-less mounting onto the various lengths of light engine
2. Reference the following catalog numbers for the appropriate bird spike kits for your particular length of light engine:  
**XA-BRDSPK30** - Kit for 20-30 LEDs (5.5 inches)  
**XA-BRDSPK60** - Kit for 40-60 LEDs (10.0 inches)  
**XA-BRDSPK90** - Kit for 60-90 LEDs (15.5 inches)  
**XA-BRDSPK120** - Kit for 80-120 LEDs (20.0 inches)
3. Extra fasteners and plastic expandable rivets are included in the kits, if more fastening support is needed (FIGURE 2).
4. Place appropriate length bird spike strip each on 2nd heat sink fin on each side of light engine. With thumb pressure, engage bird spike riveted fasteners onto the heat sink fin.

**Figure 3 - BIRD SPIKES LAYOUT (FRONT VIEW)**

