

IMPORTANT SAFEGUARDS

When using electrical equipment, basic safety precautions should always be followed including the following:

READ AND FOLLOW ALL SAFETY INSTRUCTIONS

- DANGER**- Risk of shock- Disconnect power before installation.
DANGER – *Risque de choc – Couper l'alimentation avant l'installation.*
- This luminaire must be installed in accordance with the NEC or your local electrical code. If you are not familiar with these codes and requirements, consult a qualified electrician.
Ce produit doit être installé conformément à NEC ou votre code électrique local. Si vous n'êtes pas familier avec ces codes et ces exigences, veuillez contacter un électricien qualifié.
- Do not install insulation within 3 inches (76 mm) of any part of the luminaire.
Ne pas mettre l'isolant a moins de 76 mm (3 po) de toute partie du luminaire.
- Access above ceiling required.
Acces requis au-dessus du plafond.
- Suitable for Damp Locations.
Convient aux emplacements humides.
- Suitable for suspended ceilings.
Convient aux plafonds suspendus.

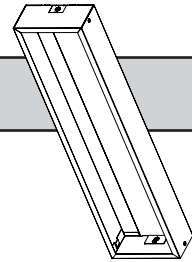
SAVE THESE INSTRUCTIONS FOR FUTURE REFERENCE

- The Surface Mount Kit is designed for use with CR Series Troffers for surface or suspended mounting.
- The following are not provided: conduit, cable, fittings, terminal blocks and wire connectors.

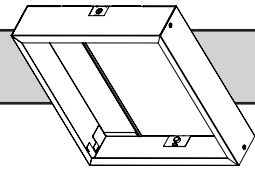
TO INSTALL:

INSTALLATION INSTRUCTIONS INSTRUCTIONS D'INSTALLATION

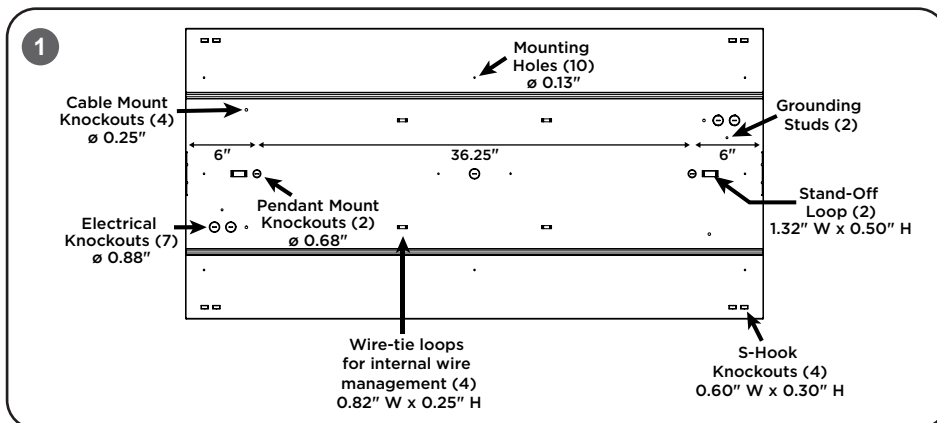
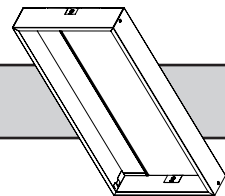
SMK-CR14



SMK-CR22



SMK-CR24



INSTALL BASE HOUSING ON TO SURFACE OR SUSPEND FROM CHAIN:

STEP 1:

For all mounting features and wiring access points see **Figure 1**.

NOTE: Distance between the two Pendant Mount Knockouts for SMK-CR24 and SMK-CR14 is 36.25", and 6" from each edge. The distance between the two Pendant Mount Knockouts for SMK-CR22 is 15", and 5" from each edge.

STEP 2:

Attach ground wire lead to grounding stud of your choice using included ground nut.

INSTALL CR SERIES TROFFER INTO BASE HOUSING:

STEP 1:

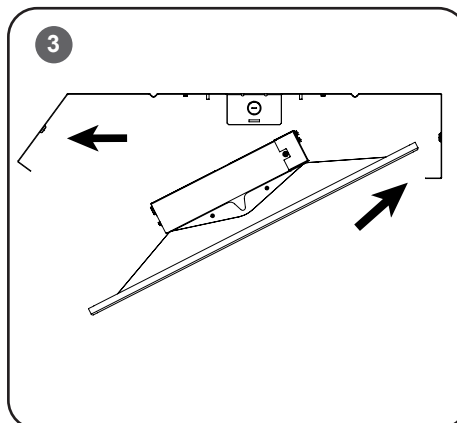
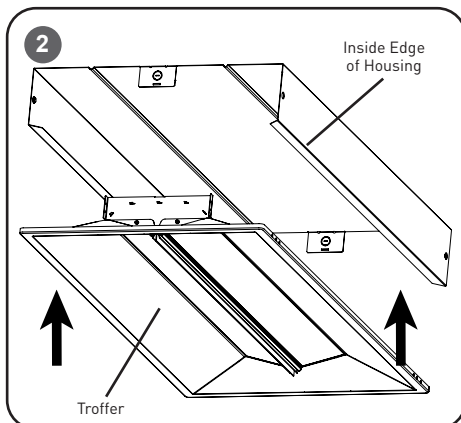
Place one edge of CR Series Troffer on inside edge of housing. See **Figure 2**.

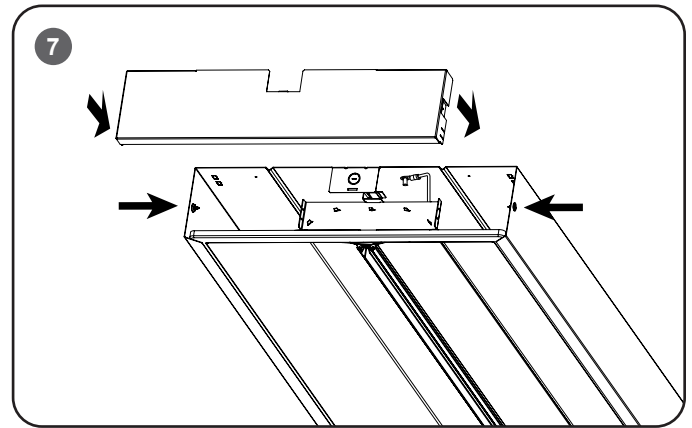
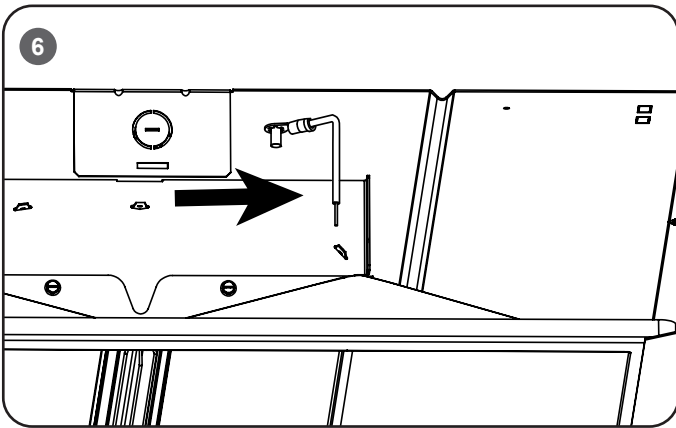
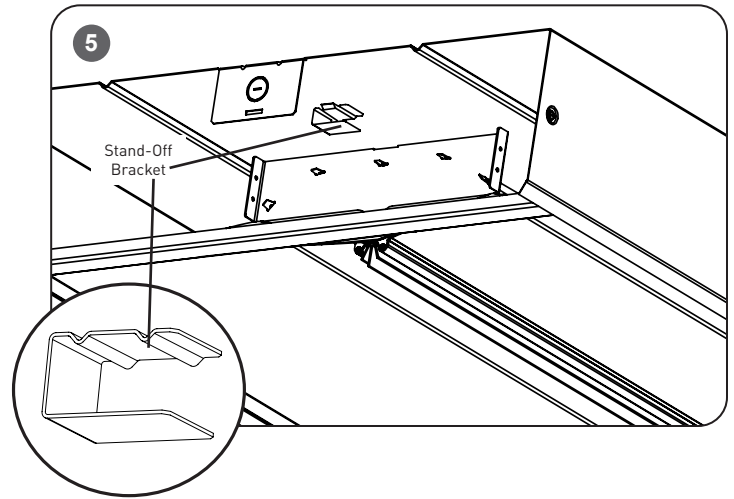
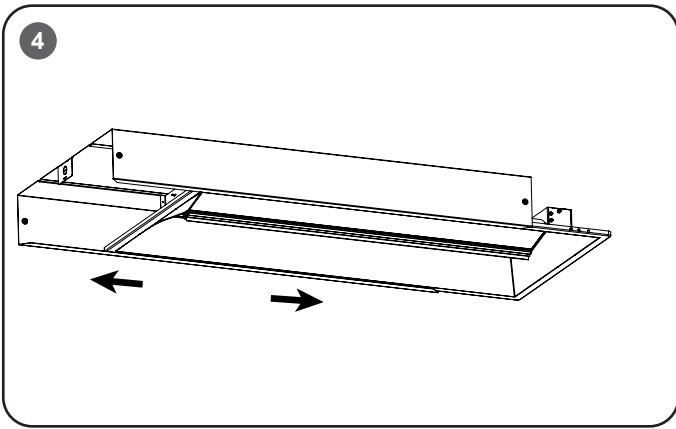
STEP 2:

Pull housing side wall outward. Rotate troffer into housing. See **Figure 3**.

STEP 3:

Route all AC wires through knockouts and attach to CR Series Troffer leads as indicated in the installation instructions included with the CR Series Troffers. Dress wires using zip-ties (not provided) through loops where indicated above.





INSTALL STAND-OFF BRACKETS AND GROUND WIRE:

STEP 1:
Slide the CR Series Troffer to either end of the housing to expose the stand-off loop. See **Figure 4**.

STEP 2:
Install stand-off brackets by sliding the tab with the detent bumps into the receiving loop. See **Figure 5**.

STEP 3:
Install ground wire with the [8-32] star nut (provided). See **Figure 6**.

INSTALL END CAPS:

STEP 1:
Install an End Cap on each end to complete the enclosure and secure with (2) sheet metal screws each. See **Figure 7**.