

IMPORTANT SAFEGUARDS

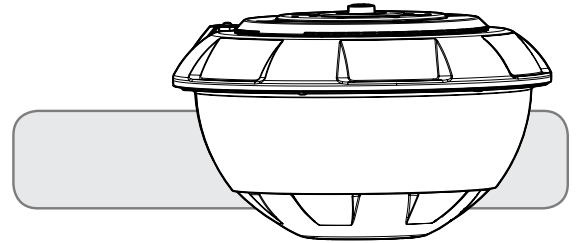
When using electrical equipment, basic safety precautions should always be followed including the following:

READ AND FOLLOW ALL SAFETY INSTRUCTIONS

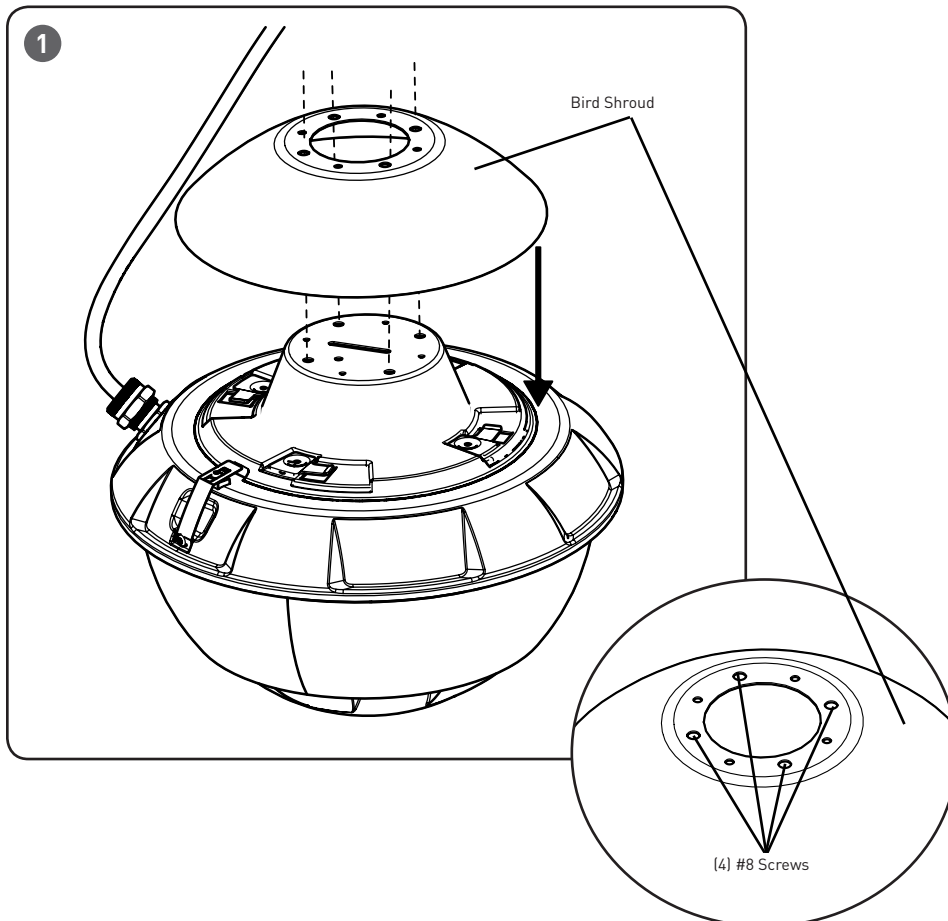
1. To reduce the risk of electrical shock, turn off power supply before installation or servicing.
DANGER – Risque de choc – Couper l'alimentation avant l'installation.

SAVE THESE INSTRUCTIONS FOR FUTURE REFERENCE

INSTALLATION INSTRUCTIONS INSTRUCTIONS D'INSTALLATION



TO INSTALL:



STEP 1:

Attach Bird Shroud to luminaire with (4) #8 screws using T-20 bit. See **Figure 1**.

STEP 2:

Reference luminaire installation sheet for mounting of luminaire.