

RC6

6" Recessed Housing

Rev. Date: V6 07/06/2020

Product Description

The RC6 recessed housing is designed to accommodate Cree Lighting six-inch downlights in new construction applications. It is rated for use with luminaires that have low-wattage ratings, such as the CR6T and LR6X™ downlights, optimizing energy density calculations for easier energy code compliance and LEED certification.

Product Specifications

CONSTRUCTION & MATERIAL

- Recessed housing with integral nailer and ceiling grid attachment accommodates Cree Lighting six-inch LED downlights in ceiling thicknesses from 0.25" to 1.25"
- Adjustable bar-hangers span from 14" to 24.5" without sag
- Suitable for non-insulated ceilings only

REGULATORY & VOLUNTARY QUALIFICATIONS

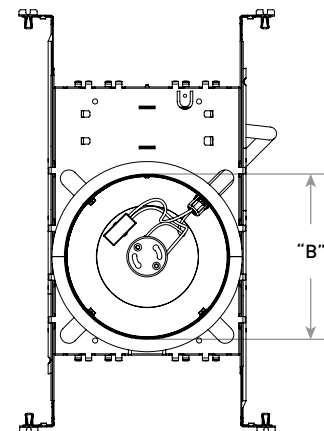
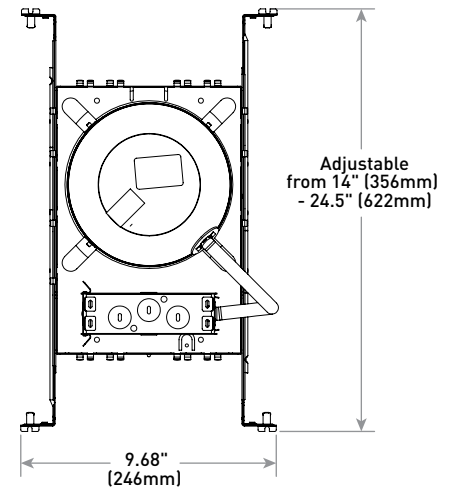
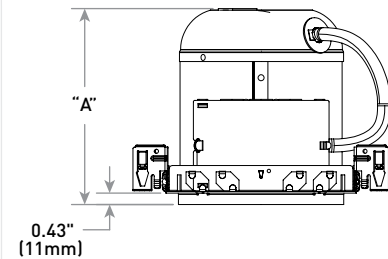
- cULus Listed
- Suitable for damp locations
- **Limited Warranty**[†]: 1 year on accessories
[†] See <http://creelighting.com/warranty> for warranty terms
- **CA RESIDENTS WARNING**: Cancer and Reproductive Harm – www.p65warnings.ca.gov

Ordering Information

Example: RC6

Product		
Edison (E26) Base, 120V RC6 - Compatible downlights: CR6, CR6T, LR6 and LR6X w/ E26 base	GU24 Base, 120V RC6-GU24 - Compatible downlights: CR6, CR6T, LR6 and LR6X w/ GU24 base	277V Connector Base RC6-277V - Compatible downlights: LR6 and LR6X Series w/ 277V connector base

RC6



Product	DIM "A"	DIM "B"
RC6	7.347" (186mm)	6.2" (157mm)
RC6-GU24/RC6-277V	7.42" (188mm)	6.3" (160mm)



© 2020 Cree Lighting, A company of IDEAL INDUSTRIES. All rights reserved. For informational purposes only. Content is subject to change. Patent www.creelighting.com/patents. Cree® and the Cree logo are registered trademarks of Cree, Inc. LR6X™ is a trademark of Cree Lighting, A company of IDEAL INDUSTRIES. The UL logo is a registered trademark of UL LLC.

US: creelighting.com (800) 236-6800

Canada: creelighting-canada.com (800) 473-1234

CREE LIGHTING

A COMPANY OF IDEAL INDUSTRIES, INC.