

## IMPORTANT SAFEGUARDS

When using electrical equipment, basic safety precautions should always be followed including the following:

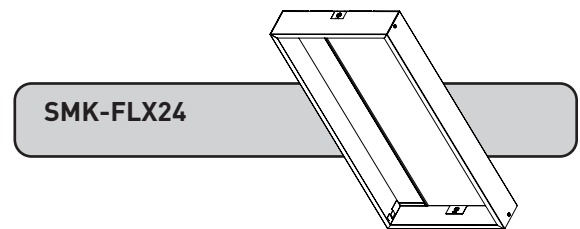
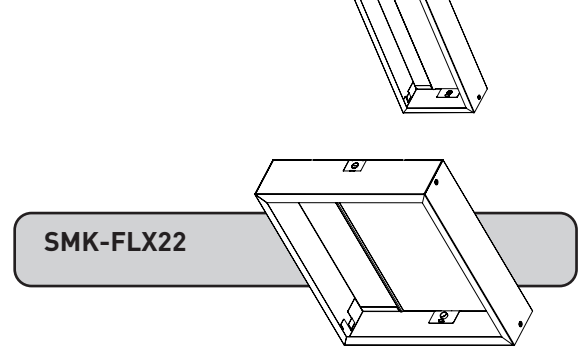
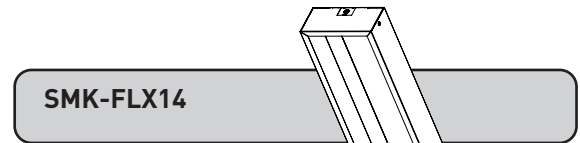
## READ AND FOLLOW ALL SAFETY INSTRUCTIONS

- 1. DANGER-** Risk of shock- Disconnect power before installation.  
*DANGER – Risque de choc – Couper l'alimentation avant l'installation.*
- This luminaire must be installed in accordance with the NEC or your local electrical code. If you are not familiar with these codes and requirements, consult a qualified electrician.  
*Ce produit doit être installé conformément à NEC ou votre code électrique local. Si vous n'êtes pas familier avec ces codes et ces exigences, veuillez contacter un électricien qualifié.*
- Suitable for Damp Locations.  
*Convient aux emplacements humides.*
- Suitable for suspended ceilings.  
*Convient aux plafonds suspendus.*

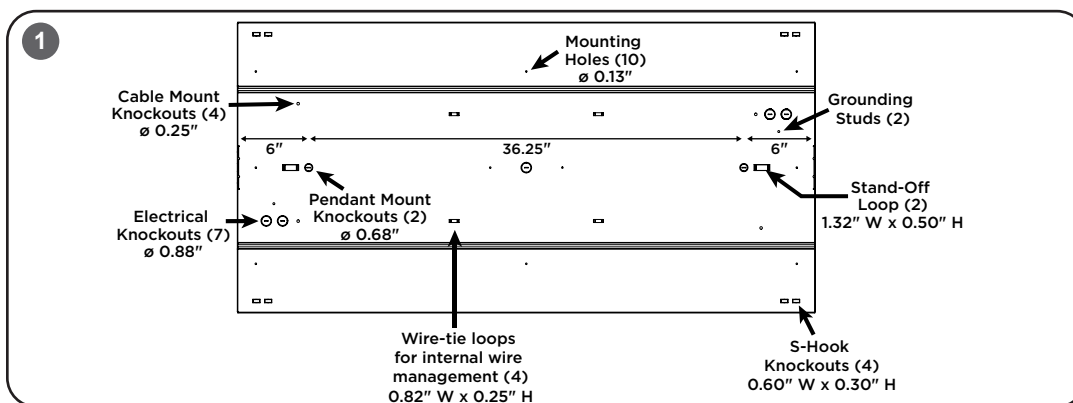
## SAVE THESE INSTRUCTIONS FOR FUTURE REFERENCE

- The SMK Troffer is designed for use with FLEX Series Troffers for surface or suspended mounting.
- The following are not provided: conduit, cable, fittings, terminal blocks and wire connectors.

## INSTALLATION INSTRUCTIONS INSTRUCTIONS D'INSTALLATION



## TO INSTALL:



## INSTALLATION

### STEP 1:

See **Figure 1** for all mounting features and wiring access points.

### STEP 2:

Install the Base Housing onto the ceiling surface or suspend from the ceiling using one of the following types of mounting systems (not provided):

#### Mounting to the Ceiling Surface

Use a quantity of 4 Steel Fasteners with a minimum diameter of 8mm [0.315 in.].

Fasteners length needs to be long enough to penetrate the surface material, a minimum of 30mm [1.181 in.] deep.

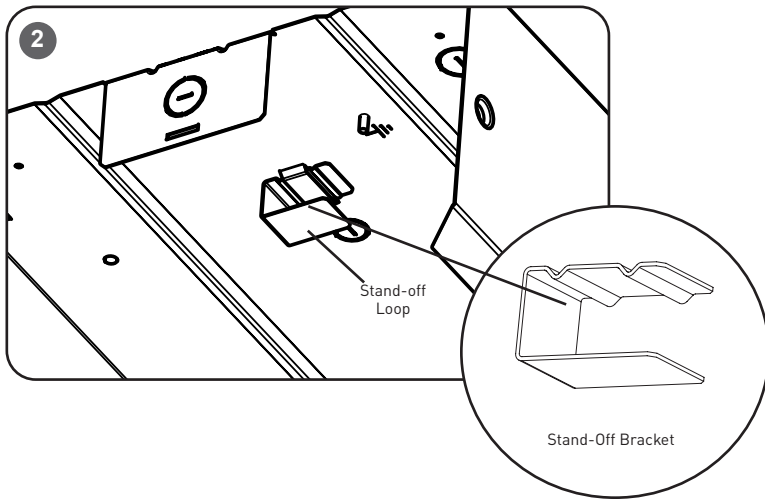
#### Suspending from the Ceiling Using Chain and S-Hooks

Use a quantity of 4 Steel S-Hooks with a minimum wire diameter of 2.9mm [0.114 in.] and Steel Jack-Chains with a minimum wire diameter of 1.6mm [0.063 in.].

#### Suspending from the Ceiling Using Threaded Rod

Use a quantity of 2 Steel Threaded Rods with a minimum diameter of 4.2mm [0.164 in.]. Secure each Threaded Rod on both ends using a lock washer and 2 nuts that are tightened to lock themselves together.

**Note:** Distance between the two Pendant Mount Knockouts for 4' SMK Kits is 36.25 in. [920.8mm], and 6 in. [152.4mm] from each edge. The distance between the two Pendant Mount Knockouts for the 2' SMK Kit is 15 in. [381mm], and 5 in. [127mm] from each edge.



**STEP 3:**

Install stand-off brackets by sliding the tab with the detent bumps into the receiving loop. See **Figure 2**.

**STEP 4:**

Attach supplied Earth lead to the grounding stud using supplied #8-32 Ground Nut w/star-washer. Use the grounding stud that is closest to where the power wiring enters the Base Housing. See **Figure 3**.

**STEP 5:**

Install an end cap on one end and secure with (2) supplied sheet metal screws and star-washers. See **Figure 4**.

**STEP 6:**

Slide the troffer into the base housing from the open side. See **Figure 5**.

**NOTE:** For 1x4 base housing install the 1x4 luminaire per **Figure 6** by gently bending the base housing apart and bring the luminaire up into the housing.

**STEP 7:**

Make electrical connections per the Electrical Connection section.

**STEP 8:**

Install end cap on the remaining open end and secure with (2) supplied sheet metal screws and star-washers. See **Figure 4**.

**ELECTRICAL CONNECTIONS**

**STEP 1:**

Locate knockouts on the luminaire terminal block compartment and insert (2) supplied insulating knockout bushings.

**STEP 2:**

Connect the following Earth leads together using appropriate customer supplied wire connectors:

- Earth lead on the Base Housing (from Step 2 in "Installation of Wiring into Base Housing" section).
- Customer supplied Earth lead coming from luminaire terminal block compartment
- Earth lead from Main Supply wiring.

**STEP 3:**

Secure leads using customer provided wire ties and wire-tie loops on housing. See **Figure 1** for location of wire-tie loops.

**STEP 4:**

Refer to the FLEX Series Troffer installation instructions for connecting the power leads and dimming leads to the appropriate terminal blocks inside the luminaire' terminal block compartment.

**STEP 5:**

Secure leads using customer provided wire ties and wire-tie loops on housing. See **Figure 1** for location of wire-tie loops.

