

C-PHB-A-L2F-13L Series

Premium LED Linear High Bay

Replaces 6-Lamp - T8 32W



DEMAND MORE WITH PREMIUM LED LINEAR HIGH BAYS:

- Custom options without the custom price
- 120 lumens per watt - plus, dimming and surge protection come standard
- A footprint that is 80% smaller than comparable technology



PRODUCT SPECIFICATIONS

OVERVIEW

- Initial Delivered Lumens: 13,000
- CRI: 80
- CCT: Neutral White (4000K), Cool White (5000K)
- Input Power: 108 Watts
- Dimmable: Yes (0-10V)
- Mounting: Included v-hook, 36" chain; Optional pendant mount kit (sold separately)
- Operating Range: -18°C - 40°C (0°F - 104°F)
- Lifespan: Estimated >70,000 Hours
- Power Factor: > 0.98
- Total Harmonic Distortion: < 10%
- Limited Warranty: 5 Years*
- Replaces 6 Lamp - T8 32W

| HIGH PERFORMANCE | PREMIUM DESIGN | RECOMMENDED USE | INPUT VOLTAGE |
|--|--|--|---|
| <ul style="list-style-type: none"> • Up to 57% energy savings compared to linear fluorescent fixtures • High-powered, discrete LEDs are engineered for consistent coverage | <ul style="list-style-type: none"> • Vented steel design for optimal thermal management • 10kA surge protection included | <ul style="list-style-type: none"> • Warehouses • Industrial • Retail | <ul style="list-style-type: none"> • Universal (120V through 277V Operation) |

ORDERING INFORMATION

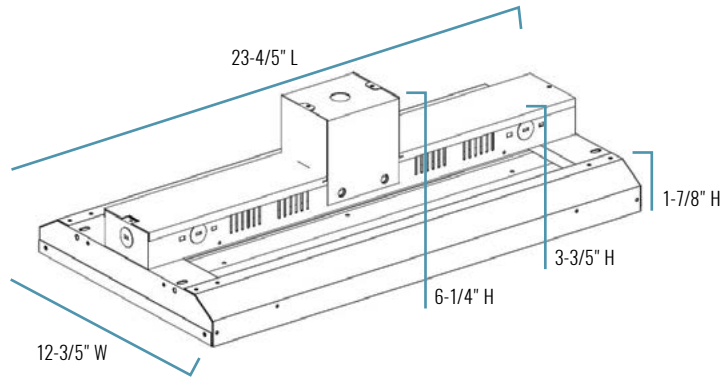
Example: C-PHB-A-L2F-13L-40K-WH

| PRODUCT | STYLE | LUMEN PACKAGE | CCT | COLOR |
|---------|------------------------------------|----------------------------|---|-------------|
| C-PHB-A | L2F | 13L | WH | |
| C-PHB-A | L2F Premium LED Linear High Bay | 13L 13,000 Lumens, 108W | 40K Neutral White (4000K) 50K Cool White (5000K) | WH White |

CERTIFICATIONS:



C-PHB-A-L2F 13L Series



SERIES OVERVIEW

| DIMENSIONS | PRODUCT WEIGHT | MOUNTING HEIGHT | SPACING |
|----------------------------------|----------------|-----------------|--------------------------------------|
| 23-4/5" L x 12-3/5" W x 3-3/5" H | 12.0 lbs. | 15 to 25 feet | 1 to 1-1/2 times the mounting height |

FIXTURE SPECIFICATIONS

| | |
|----------------------|---|
| HOUSING | Vented steel housing provides thermal management through natural convection |
| LENS ASSEMBLY | Clear acrylic lens |
| WIRING | Fixture can be wired in parallel, but not in series (daisy chained) |
| MOUNTING | Included v-hook and 36" chain; Optional pendant mount kit (sold separately); Fixture must be a minimum of 7" below ceiling |

ELECTRICAL PERFORMANCE

| OPERATING RANGE | LIFESPAN L ₇₀ AT 25°C (77°F) | POWER FACTOR | TOTAL HARMONIC DISTORTION | DIMMABLE |
|----------------------------|--|--------------|------------------------------|-------------|
| -18°C - 40°C (0°F - 104°F) | Estimated >70,000 Hours | > 0.98 | < 10% | Yes (0-10V) |
| INPUT VOLTAGE | 120V | 208V | 240V | 277V |
| CURRENT DRAW (Amps) | 0.91A | 0.52A | 0.45A | 0.39A |

WARRANTY AND CERTIFICATIONS

| WARRANTY | UL LISTED | DLC |
|-----------------|----------------|-----------------------|
| 5 Year Limited* | Damp Locations | DLC Premium Qualified |

CA RESIDENTS WARNING: Cancer and Reproductive Harm –
www.p65warnings.ca.gov

US: c-lite.com T (800) 236-6800 F (262) 504-5415

Canada: www.cree.com/canada T (800) 473-1234 F (800) 890-7507

Rev. Date: V2 10/12/2018

For informational purposes only. Content is subject to change. *See lighting.cree.com/warranty for details

C-LITE
LED LIGHTING BY CREE

C-PHB-A-L2F-13L Series

ACCESSORIES (available with fixture purchase only)

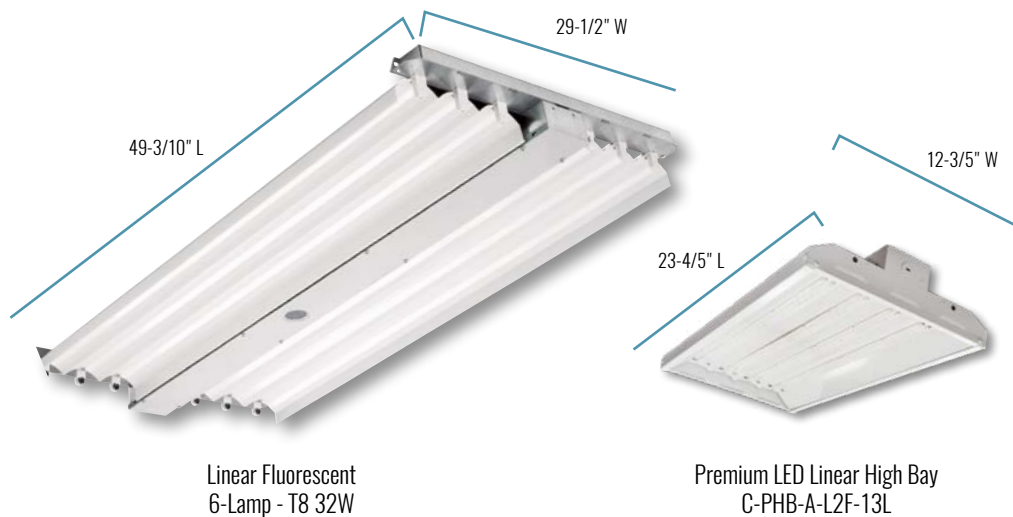
| | |
|---|--|
|  | WIRE GUARD |
| | SKU: C-PHB-A-LHBWG-12x24 |
|  | PIR MOTION SENSOR On/Off functionality (no dim setting) |
| | SKU: C-PHB-A-HBPIR |
|  | PENDANT MOUNT KIT |
| | SKU: C-PHB-A-HBPM |

| | |
|---|--|
|  | 6' CORD & HOOK WITH TWIST-LOCK PLUG |
| | SKU: C-ACC-A-HKCRD-6FT-LV-TL (120V) C-ACC-A-HKCRD-6FT-HV-TL (277V) C-ACC-A-HKCRD-6FT-MV-TL (208V or 240V) |
|  | 6' CORD & HOOK WITH NO PLUG |
| | SKU: C-ACC-A-HKCRD-6FT-UV-NP (120V) |
|  | 6' CORD & HOOK WITH STRAIGHT BLADE PLUG |
| | SKU: C-ACC-A-HKCRD-6FT-LV-SB (120V) |
|  | LOCKING TYPE RECEPTACLE (3-BLADE TWIST-LOCK) |
| | SKU: C-ACC-A-RECEP-HV-TL (277V, 3-Wire, NEMA L7-15R) C-ACC-A-RECEP-MV-TL (208V/240V, 3-Wire, NEMA L6-15R) |

SIZE COMPARISON (LED VS. FLUORESCENT)

COMPARED TO 6-LAMP – T5HO 54W LINEAR FLUORESCENTS:

- Is 60% smaller for ease of installation
- Consumes less power, while producing the same light output



© 2018 Cree, Inc. and/or one of its subsidiaries. All rights reserved. For informational purposes only. Content is subject to change. Patent www.cree.com/patents. C-LITE™ and the C-LITE logo are trademarks of Cree, Inc. The UL logo is a registered trademark of UL LLC. The DLC Premium QPL logo is a registered trademark of Efficiency Forward, Inc.

US: c-lite.com T (800) 236-6800 F (262) 504-5415

Canada: www.cree.com/canada T (800) 473-1234 F (800) 890-7507

Rev. Date: V2 10/12/2018

For informational purposes only. Content is subject to change. *See lighting.cree.com/warranty for details

C-LITE
LED LIGHTING BY CREE