

INSTALLATION INSTRUCTIONS

IMPORTANT SAFEGUARDS

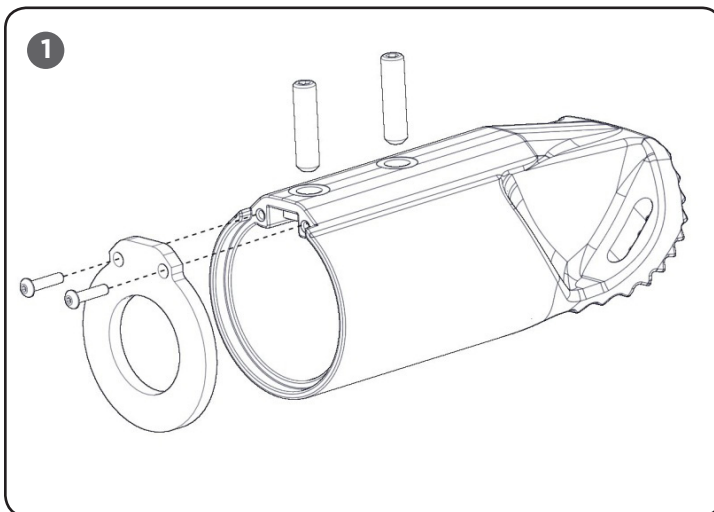
When using electrical equipment, basic safety precautions should always be followed including the following:

READ AND FOLLOW ALL SAFETY INSTRUCTIONS

1. To reduce the risk of electrical shock, turn off power supply before installation or servicing.
2. This luminaire must be installed in accordance with the NEC and your local electrical code. If you are not familiar with these codes and requirements, consult a qualified electrician

SAVE THESE INSTRUCTIONS FOR FUTURE REFERENCE

TO INSTALL:



FITTER KIT CONTENTS

1. 1 - Fitter Collar
2. 2 - 3/8" Allen Head Set Screws
3. 2 - #8-32 Screws

MOUNTING TO A 1.25" DIAMETER TENON

STEP 1:

Align the collar to the end of the fitter and secure using the 2 - #8-32 Screws provided. See **Figure 1**.

STEP 2:

Secure the fitter to installed pole using the 2 - 3/8" Allen Head Set Screws. See **Figure 1**. Securely tighten two Allen head set screws to 230 in•lbs (19 ft•lbs) (26 N•m)