

C-PHB-A-L4F-27L Series

Premium LED Linear High Bay

Replaces 6-Lamp - T5HO 54W



DEMAND MORE WITH PREMIUM LED LINEAR HIGH BAYS:

- Custom options without the custom price
- 122 lumens per watt - plus, dimming and surge protection come standard
- A footprint that is 60% smaller than comparable technology



PRODUCT SPECIFICATIONS

OVERVIEW

- Initial Delivered Lumens: 27,000
- CRI: 80
- CCT: Neutral White (4000K), Cool White (5000K)
- Input Power: 220 Watts
- Dimmable: Yes (0-10V)
- Mounting: Included v-hook, 36" chain; Optional pendant mount kit (sold separately)
- Operating Range: -18°C - 40°C (0°F - 104°F)
- Lifespan: Estimated >70,000 Hours
- Power Factor: > 0.98
- Total Harmonic Distortion: < 10%
- Limited Warranty: 5 Years*
- Replaces 6-Lamp - T5HO 54W

HIGH PERFORMANCE	PREMIUM DESIGN	RECOMMENDED USE	INPUT VOLTAGE
<ul style="list-style-type: none"> • Up to 57% energy savings compared to linear fluorescent fixtures • High-powered, discrete LEDs are engineered for consistent coverage 	<ul style="list-style-type: none"> • Vented steel design for optimal thermal management • 10kA surge protection included 	<ul style="list-style-type: none"> • Warehouses • Industrial • Retail 	<ul style="list-style-type: none"> • Universal (120V through 277V Operation)

ORDERING INFORMATION

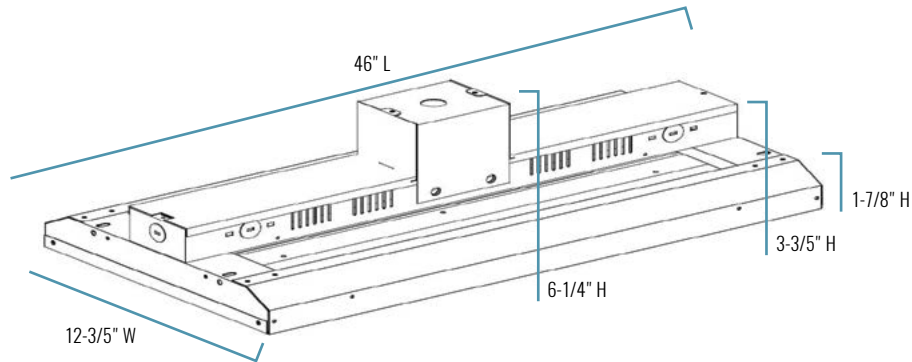
Example: C-PHB-A-L4F-27L-40K-WH

PRODUCT	STYLE	LUMEN PACKAGE	CCT	COLOR
C-PHB-A	L4F	27L		WH
C-PHB-A	L4F Premium LED Linear High Bay	27L 27,000 Lumens, 220W	40K Neutral White (4000K) 50K Cool White (5000K)	WH White

CERTIFICATIONS:



C-PHB-A-L4F 27L Series



SERIES OVERVIEW

DIMENSIONS	PRODUCT WEIGHT	MOUNTING HEIGHT	SPACING
46" L x 12-3/5" W x 3-3/5" H	20.0 lbs.	25 to 40 feet	1 to 1-1/2 times the mounting height

FIXTURE SPECIFICATIONS

HOUSING	Vented steel housing provides thermal management through natural convection
LENS ASSEMBLY	Clear acrylic lens
WIRING	Fixture can be wired in parallel, but not in series (daisy chained)
MOUNTING	Included v-hook and 36" chain; Optional pendant mount kit (sold separately); Fixture must be a minimum of 7" below ceiling

ELECTRICAL PERFORMANCE

OPERATING MINIMUM	LIFESPAN L ₇₀ AT 25°C (77°F)	POWER FACTOR	TOTAL HARMONIC DISTORTION	DIMMABLE
-18°C - 40°C (0°F - 104°F)	Estimated >70,000 Hours	> 0.98	< 10%	Yes (0-10V)
INPUT VOLTAGE	120V	208V	240V	277V
CURRENT DRAW (Amps)	1.81A	1.06A	0.92A	0.79A

WARRANTY AND CERTIFICATIONS

WARRANTY	UL LISTED	DLC
5 Year Limited*	Damp Locations	DLC Premium Qualified

CA RESIDENTS WARNING: Cancer and Reproductive Harm –
www.p65warnings.ca.gov

US: c-lite.com T (800) 236-6800 F (262) 504-5415

Canada: www.cree.com/canada T (800) 473-1234 F (800) 890-7507

Rev. Date: V2 10/12/2018


For informational purposes only. Content is subject to change. *See lighting.cree.com/warranty for details

C-LITE
LED LIGHTING BY CREE

C-PHB-A-L4F-27L Series

ACCESSORIES (available with fixture purchase only)

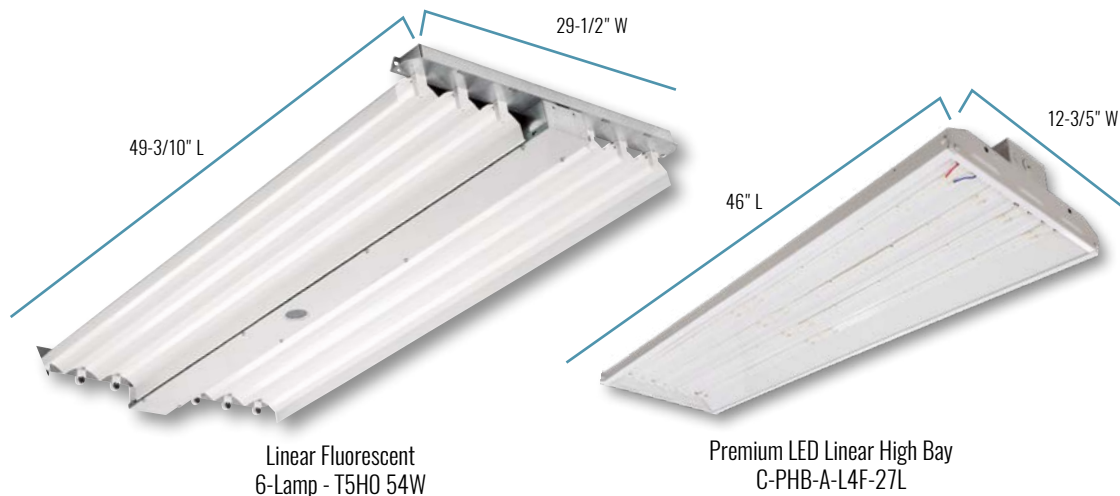
	WIRE GUARD
	SKU: C-PHB-A-LHBWG-12x46
	PIR MOTION SENSOR On/Off functionality (no dim setting)
	SKU: C-PHB-A-HBPIR
	PENDANT MOUNT KIT
	SKU: C-PHB-A-HBPM

	6' CORD & HOOK WITH TWIST-LOCK PLUG
	SKU: C-ACC-A-HKCRD-6FT-LV-TL (120V) C-ACC-A-HKCRD-6FT-HV-TL (277V) C-ACC-A-HKCRD-6FT-MV-TL (208V or 240V)
	6' CORD & HOOK WITH NO PLUG
	SKU: C-ACC-A-HKCRD-6FT-UV-NP (120V)
	6' CORD & HOOK WITH STRAIGHT BLADE PLUG
	SKU: C-ACC-A-HKCRD-6FT-LV-SB (120V)
	LOCKING TYPE RECEPTACLE (3-BLADE TWIST-LOCK)
	SKU: C-ACC-A-RECEP-HV-TL (277V, 3-Wire, NEMA L7-15R) C-ACC-A-RECEP-MV-TL (208V/240V, 3-Wire, NEMA L6-15R)

SIZE COMPARISON (LED VS. FLUORESCENT)

COMPARED TO 6-LAMP – T5HO 54W LINEAR FLUORESCENTS:

- Is 60% smaller for ease of installation
- Consumes less power, while producing the same light output



© 2018 Cree, Inc. and/or one of its subsidiaries. All rights reserved. For informational purposes only. Content is subject to change. Patent www.cree.com/patents. C-LITE™ and the C-LITE logo are trademarks of Cree, Inc. The UL logo is a registered trademark of UL LLC. The DLC Premium QPL logo is a registered trademark of Efficiency Forward, Inc.

US: c-lite.com T (800) 236-6800 F (262) 504-5415

Canada: www.cree.com/canada T (800) 473-1234 F (800) 890-7507

Rev. Date: V2 10/12/2018

For informational purposes only. Content is subject to change. *See lighting.cree.com/warranty for details

C-LITE
LED LIGHTING BY CREE