

# PARV Series

Round Tapered Aluminum Poles

Rev. Date: V1 06/08/2021

## Product Description

Round Tapered Poles combine their graceful, distinctive appearance with quality construction. They are available in lengths of 25, 30, 35, 39 and 50 feet. Fixture mounting is accomplished by attaching the fixture, either directly or to a 2-inch schedule 80 pipe that is peripherally welded to the top of the shaft. Each pole is shipped complete, with partially galvanized anchor bolts, paper mounting template and nut cover. The poles come with a reinforced hand hole that is welded to the shaft.

## CONSTRUCTION & MATERIALS

- The shaft is made of seamless 6063 alloy aluminum (heat treated to produce a T6 temper)
- The base is cast from A356 alloy aluminum
- The base casting and shaft are joined by a continuous circumferential weld at the inside bottom of the anchor base.
- Bronze polyester powder finish

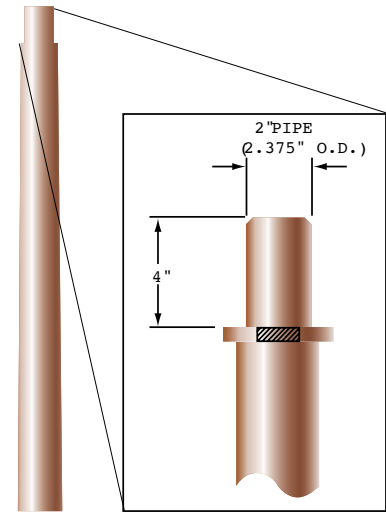
## REGULATORY & VOLUNTARY QUALIFICATIONS

- Grounding lug meets UL and NEC requirements for electrical ground bonding
- Meets AASHTO standards for mechanical strength and windloading
- Meets or exceeds NEC requirements

## LIMITED WARRANTY\*

- 1 year on pole and finish

\* See <http://creelighting.com/warranty> for warranty terms



Shown with "T" mounting configuration.

## Ordering Information

Example: PARV25CTBZ

Product [Height (ft) x Base O.D x Top O.D. & Wall Thickness]	Mounting Configuration	Color Options
<b>PARV25C</b> 25 x 6.0 x 4 RND x 0.188 Gauge <b>PARV30C</b> 30 x 8.0 x 4.5 RND x 0.188 Gauge <b>PARV35C</b> 35 x 8.0 x 4.5 RND x 0.188 Gauge	<b>PARV39C</b> 39 x 9.0 x 6.0 RND x 0.188 Gauge <b>PARV50C</b> 45 x 10 x 6.0 RND x 0.250 Gauge	<b>BK</b> Black <b>BZ</b> Bronze <b>SV</b> Silver <b>WH</b> White
	<b>1</b> Single <sup>1</sup> <b>2</b> Twin @ 180° <b>3</b> Twin @ 90° <sup>1</sup> <b>5</b> Triple <sup>1</sup> <b>6</b> Quad <sup>1</sup> <b>7</b> Triple @ 120° <sup>1</sup> <b>T</b> Tenon Top	

**NOTE:** Round Tapered Poles do not include Colorfast DeltaGuard® paint finish and are warranted for 1 year. Round Tapered Poles do not include the Crown-Weld® base.  
<sup>1</sup> Direct mount configuration

**CA RESIDENTS WARNING:** Cancer and Reproductive Harm –  
[www.p65warnings.ca.gov](http://www.p65warnings.ca.gov)

**CREE** ⇄ **LIGHTING**®

US: [creelighting.com](http://creelighting.com) (800) 236-6800

Canada: [creelighting-canada.com](http://creelighting-canada.com) (800) 473-1234

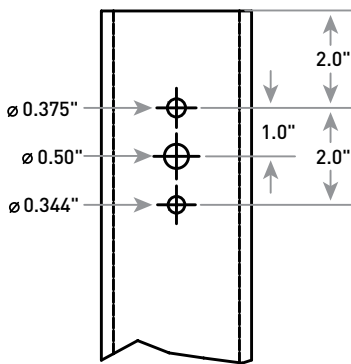
**Dimensions, EPA & Weight**

Product	Base O.D. X Top O.D. & Wall Thickness (Inches)	Pole Shaft	Bolt Circle/ Range (Inches)	Bolt Pattern All 4 Sides (Inches)	Bolt Size Inches	80 MPH		90 MPH		100 MPH	
						Max EPA	Max Fixture Weight	Max EPA	Max Fixture Weight	Max EPA	Max Fixture Weight
PARV25C(a)	6.0 x 4.0 RND x 0.188	7.0" x 3.5" x 25'	9.5/8.75-10.25	6.18-7.25	0.75	8.6	150	6.1	150	4.6	150
PARV30C(a)	8.0 x 4.5 RND x 0.188	8.0" x 3.8" x 30'	11.5/11.0-12.12	7.75-8.56	1	14.6	150	11.1	150	8.6	150
PARV35C(a)	8.0 x 4.5 RND x 0.188	8.5" x 3.6" x 35'	11.5/11.0-12.12	7.75-8.56	1	9.8	150	7.1	150	5.3	150
PARV39C(a)	9.0 x 6.0 RND x 0.188	9.0" x 3.6" x 39'	14.0/13.38-15	9.43-10.56	1	16.7	200	12.4	200	9.2	200
PARV50C(a)	10.0 x 6.0 RND x 0.250	10.0" x 3.7" x 45'	14.63/14.25-15	10.08-10.60	1.25	12.5	300	9.1	300	6.5	300

(a) Specify mounting configuration and finish color.

**NOTE:** Hanging signs, banners and flags on poles changes the EPA rating and increases vibration. The EPA ratings data provided does not allow for this added stress which could result in pole or luminaire failure

**Fixture Mounting Drill Pattern**



Standard Cree Lighting Fixture Mounting Pattern  
(Not for use with THE EDGE® High Output Luminaires)

**Tenon EPA**

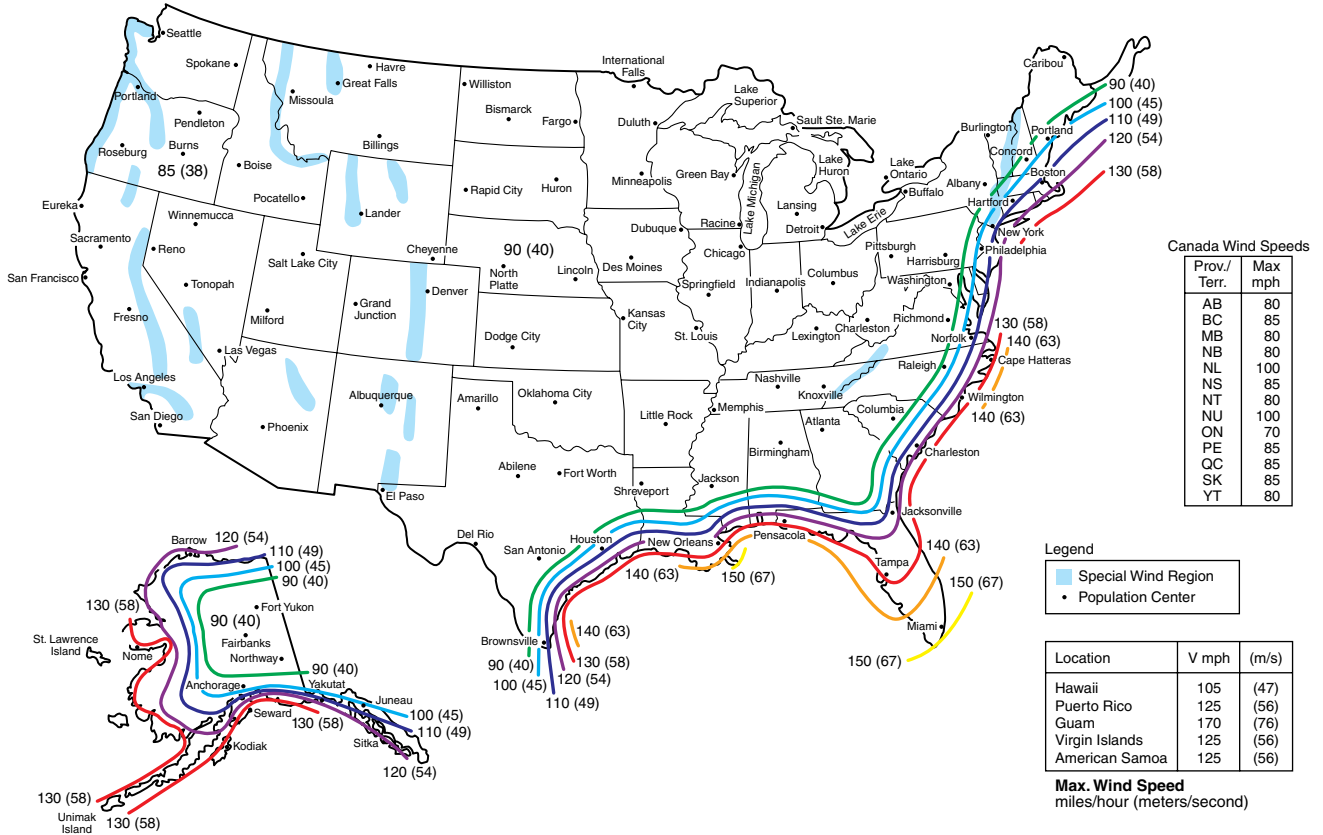
Part Number	EPA
PB-2R2.375	0.92
PB-3R2.375	1.62
PB-4R2.375	2.32
PT Series Tenons	0.10

Tenons and Brackets* (must specify color)
<p><b>Round External Mount Vertical Tenons (Steel)</b>                      - Mounts to 2.375" (60mm) O.D. round aluminum or steel poles or tenons                      PB-2R2.375 – Twin      PB-4R2.375 – Quad                      PB-3R2.375 – Triple</p> <p><b>Round External Mount Horizontal Tenons (Aluminum)</b>                      - Mounts to 2.375" (60mm) O.D. round aluminum or steel poles or tenons                      - Mounts to square pole with PB-1A* tenon                      PT-1 – Single (Vertical)      PT-3(90) – 90° Triple                      PT-2(90) – 90° Twin      PT-3(120) – 120° Triple                      PT-2(180) – 180° Twin      PT-4(90) – 90° Quad</p>

\* Refer to the [Bracket and Tenons spec sheet](#) for more details

# PARV Series Round Tapered Aluminum Poles

This map indicates approximate maximum wind zones throughout the U.S. Base wind velocities are established using a 50-year recurring mean. The EPA rating of the pole must be equal to or greater than that of the luminaire(s), taking into consideration the wind conditions at the job site.



© 2021 Cree Lighting, A company of IDEAL INDUSTRIES. All rights reserved. For informational purposes only. Content is subject to change. Patent [www.creelighting.com/patents](http://www.creelighting.com/patents). Cree® and the Cree Lighting logo are registered trademarks of Cree, Inc. Crown-Weld® and Colorfast DeltaGuard® are registered trademarks of Cree Lighting, A company of IDEAL INDUSTRIES.

US: [creelighting.com](http://creelighting.com) (800) 236-6800  
 Canada: [creelighting-canada.com](http://creelighting-canada.com) (800) 473-1234

A COMPANY OF IDEAL INDUSTRIES, INC.