



## PUSH-BUTTON COMBINATION SWITCH

TSS1204

A time and energy-saving alternative to the traditional hard-wired switch, the Audacy® Push-Button Combination Switch allows you to quickly “set the scene” with pre-calibrated settings for a particular room and also allows you to turn on, turn off and dim lights. Instantly adjust lighting to fit how you’ll use the space with presets such as Presentation Setting for viewing a screen or Work Setting to maximize lighting for reviewing important documents.

### **MORE CONTROL - LESS FUSS**

The Audacy Push-Button Combination Switch permits onsite employees to instantly adjust their lighting environment to the purpose at hand with up to 4 physical preset scene settings and up to 16 virtual scene settings on the Interface.

### **DOUBLE-EDGED EFFICIENCY**

Operating in the highly reliable 915 MHz spectrum, our Combination Switch is wireless and easy to install anywhere in the room, delivering unparalleled flexibility while saving time and money.

The Audacy Push-Button Combination Switch helps you comply with ASHRAE 90.1-2016 and CA Title 24 requirements.

### **AUDACY BY IDEAL®: CUTTING COSTS. CUTTING EDGE.**

IDEAL has been a leading manufacturer of quality electrical products for over one hundred years. Crafted at the intersection of simple and innovative, our new Audacy Wireless Controls system.



**AUDACY®**  
WIRELESS LIGHTING CONTROL  
YOUR WORLD IN A BETTER LIGHT

# PUSH-BUTTON COMBINATION SWITCH

TSS1204

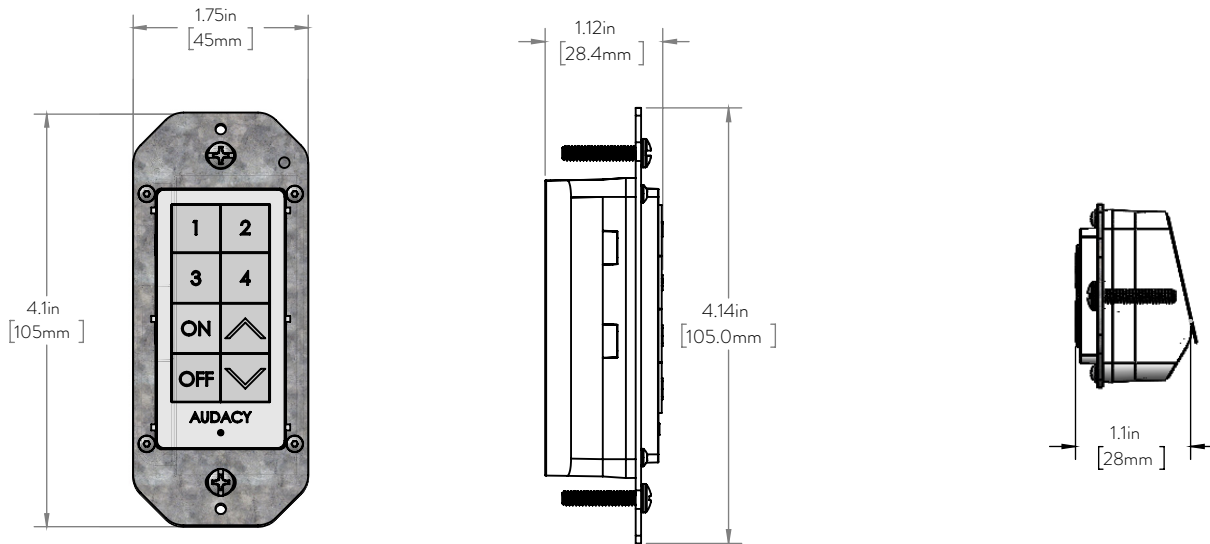
 On the DesignLights Consortium™ Qualified Products List

## SPECIFICATIONS

ITEM	DESCRIPTION
Preconfigured Scenes	Up to 4
Radio Frequency Range	902–928 MHz, Dual Channel, Internal Antenna
Wireless Protocol	Proprietary based on IEEE 802.15.4
Encryption	Proprietary based on AES encryption
Regulatory Approvals	FCC Part 15 and Industry Canada FCC ID: 2AAMXTSS1204 IC: 11250A-TSS1204 UL 916 (Energy Management Equipment)/CSA C22.2 No. 205 (Signal Equipment)
Transmit Power	2 dBm short duration, utilizing direct sequence spread spectrum
Transmit Range	100 ft. (30m) indoors to an Audacy Gateway or Luminaire Controller in a typical commercial building; extended range when repeater mode enabled
Power	25+ year battery, non-replaceable
Operating Temperature	50°F to 104°F (10°C to 40°C)* *Battery life may be reduced if operated at higher temperatures
Installation Environment	Indoor use only
Mounting	In switch box, decorator-style faceplate
Color	White
Dimensions	4.14" x 1.75" x 0.91" (10.5 cm x 4.5 cm x 2.3 cm)
Weight	3.0 oz (85g)
Warranty	5 year
Catalog Number	59-TSS1204
Description	Audacy® Push-Button Combination Switch*

\*Push-button Scene Switch, Push-button Wall-Mount Switch, capacitive touch Scene Switch and capacitive touch Wall-Mount Switches also available

## MECHANICAL DIMENSIONS (IN & MM)



CONTACT US TODAY FOR A CONSULTATION

1.800.273.9989

CONTACTUS@AUDACYWIRELESS.COM

AUDACYWIRELESS.COM

**AUDACY**<sup>®</sup>  
WIRELESS LIGHTING CONTROL  
YOUR WORLD IN A BETTER LIGHT

A COMPANY OF  IDEAL INDUSTRIES, INC.