

IMPORTANT SAFEGUARDS

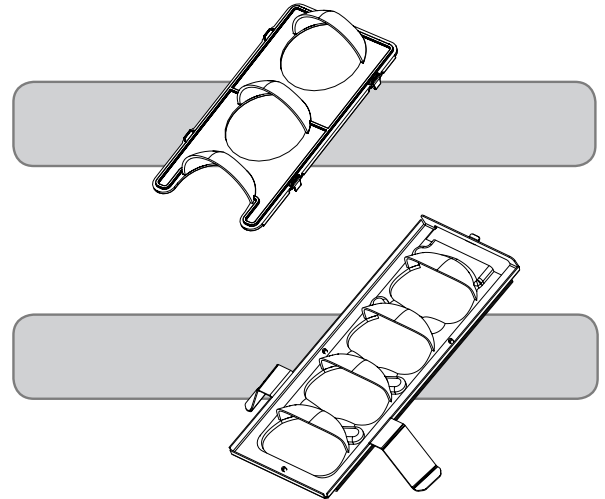
When using electrical equipment, basic safety precautions should always be followed including the following:

READ AND FOLLOW ALL SAFETY INSTRUCTIONS

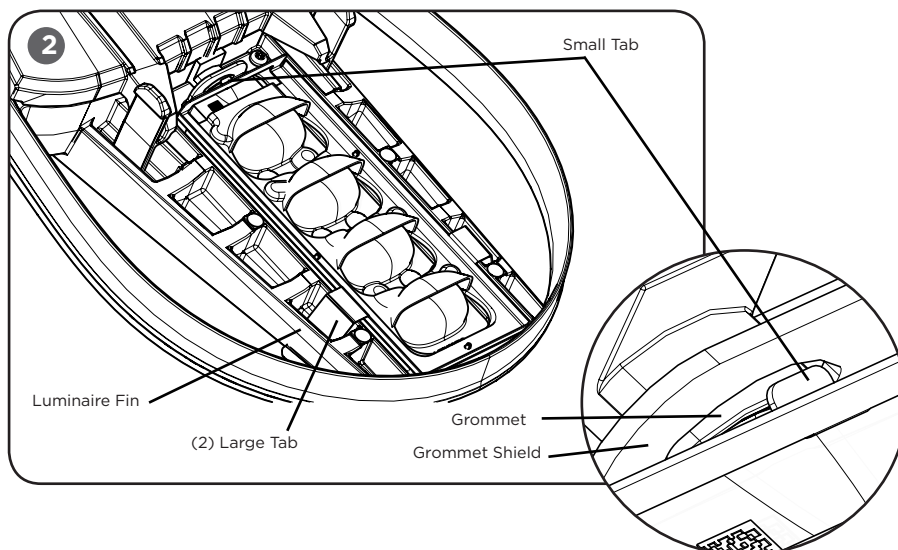
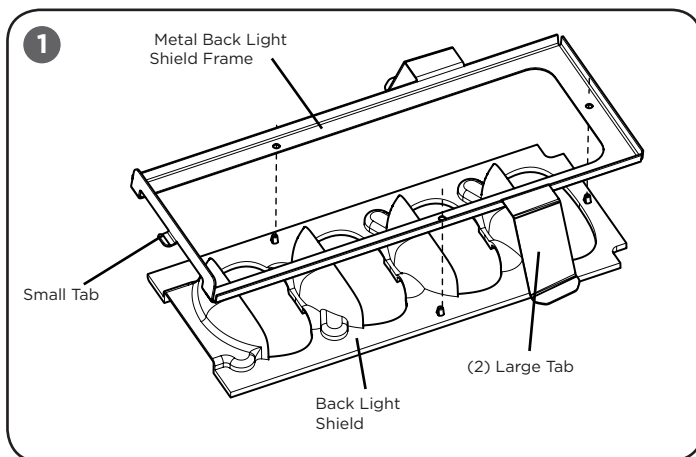
- DANGER**- Risk of shock- Disconnect power before installation.
DANGER – Risque de choc – Couper l'alimentation avant l'installation.

SAVE THESE INSTRUCTIONS FOR FUTURE REFERENCE

INSTALLATION INSTRUCTIONS INSTRUCTIONS D'INSTALLATION



TO INSTALL:



PREPARATION

STEP 1:

Clean the surface of the LED Module.

NOTE: Be sure to use a very mild detergent. Damage will occur to the LED Optics if any alcohol based or otherwise harsh chemicals used.

4 OPTIC BACK LIGHT SHIELD

STEP 1:

Back Light Shield and the metal backlight shield frame are factory installed together but if the assembly comes loose in shipping reattach by inserting (3) studs on the backlight shield into the designated holes on the metal frame. Push together until it snaps into place. See **Figure 1**.

STEP 2:

Insert at an angle, the small tab on the Back Light Shield Assembly in between the grommet and grommet shield. See **Figure 1 and 2**.

STEP 3:

Press the (2) large tabs on the Back Light Shield Assembly inward and snap them down into the luminaire fins. See **Figure 2**.

3 OPTIC BACK LIGHT SHIELD

STEP 1:

Ensure that the orientation of the backlight has the eyelets pointing away from the luminaire base and carefully place on the surface of the LED Module. See **Figure 3**.

STEP 2:

Snap the Back Light Shield tabs (4) into the LED Module. See **Figure 4**.

NOTE: If LED Module doesn't allow for tabs to snap in, place supplied double sided tape onto the recessed rectangle located in the middle of the back side of the shield. Once tape is placed on the shield, firmly press shield down onto LED Module.

