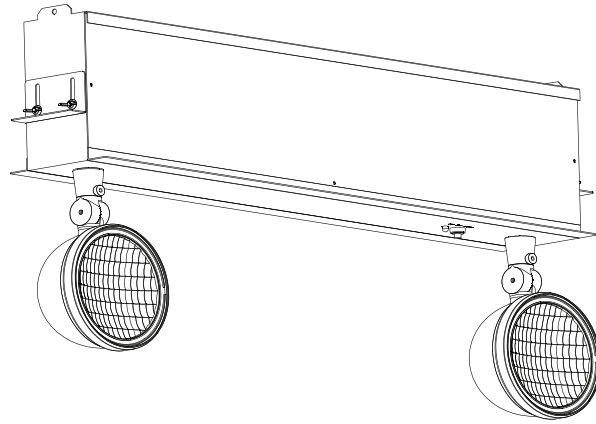


CHICAGO APPROVED RECESSED EMERGENCY UNIT INSTALLATION, OPERATION AND MAINTENANCE INSTRUCTIONS FOR 27 WATT OR 50W SERIES



IMPORTANT SAFEGUARDS

READ AND FOLLOW ALL SAFETY INSTRUCTIONS

IMPORTANT SAFEGUARDS

WARNING: RISK OF ELECTRIC SHOCK - NEVER CONNECT TO, DISCONNECT FROM, OR SERVICE WHILE EQUIPMENT IS ENERGIZED.

WARNING: FAILURE TO FOLLOW THESE INSTRUCTIONS AND WARNINGS MAY RESULT IN DEATH, SERIOUS INJURY OR SIGNIFICANT PROPERTY DAMAGE - For your protection, read and follow these warnings and instructions carefully before installing or maintaining this equipment. These instructions do not attempt to cover all installation and maintenance situations.

WARNING: RISK OF FIRE - Lamps are hot. Keep combustible material away from hot parts. Observe lamp manufacturer's warnings, recommendations and restrictions on lamp operation and maintenance. Make sure lamps are correctly installed.

- All service shall be performed by qualified service personnel. This product must be installed and maintained in accordance with the applicable installation codes by a person familiar with the construction operation of the product and the hazards involved.
- This product must be installed in accordance with the applicable installation codes and ordinances.
- Before wiring to power supply, turn off electricity at fuse or circuit breaker.
- Disconnect A.C. power and unplug battery before servicing.
- Consult your local building code for approved wiring and installation.
- May be used outdoors under cover. (20°C-50°C)
- Do not let power supply cord touch hot surfaces.
- Do not mount near gas or electric heater.
- Equipment should be mounted in locations and at heights where it will not readily be subjected to tampering by unauthorized personnel.
- The use of accessory equipment not recommended by the manufacturer may cause an unsafe condition.
- Do not use this equipment for other than intended use.
- The AC voltage rating of this equipment is specified on the product label. Do not connect equipment to any other voltage.

**SAVE THESE INSTRUCTIONS
AND DELIVER TO OWNER AFTER INSTALLATION**

SAVE THESE INSTRUCTIONS

INSTALLTION:

1. Remove the ceiling tile from the location where the unit is to be mounted.
2. Remove front cover.
3. Mount the unit across the two-foot T-bar span. Chain hook holes are provided on the ends of the enclosure.
4. Remove appropriate knockout at end of the enclosure for attachment of 1/2" conduit.
5. Extend 24 hr AC supply of rated voltage to the equipment, which is furnished with a dual voltage (120/277V) field selectable input. Connect unit to utility power using an approved connector. For 120V supply connect the line wire to the Black lead and for 277V supply connect the line wire to the Orange lead. Connect neutral wire to the White lead. The Ground wire (green lead) needs to be connected in accordance with the local codes. DO NOT energize the circuit at this time.

CAUTION: Insulate the unused Black or Orange wire. Failure to do so may cause an unsafe condition.

6. Install and connect the battery. Connect the Red (+) lead from the PC board assembly to the positive (+) battery terminal and the Black (-) lead from the PC board assembly to the negative (-) battery terminal.

CAUTION: Observe polarity. Failure to connect the battery properly will result in the equipment failure and an unsafe condition. NOTE: The Emergency lights will NOT come ON at this time.

7. Energize the unit with AC supply. The charge indicator will illuminate.
8. Replace the unit cover.
9. Replace ceiling tile.
10. Adjust and focus the lighting heads as required.

OPERATION:

1. To test the equipment, depress the TEST switch. The charge (LED) indicator will turn OFF and the emergency lights will illuminate.
2. Once you release the TEST switch the emergency lights will turn OFF and the charge (LED) indicator will illuminate.
3. The automatic charger will return into action, charging the battery and trying to maintain it in a fully charged state.
NOTE: Allow the battery to charge for a minimum of 24 hrs after installation or after a power failure before conducting a 90-minute test (see TESTING section). CAUTION: This equipment is furnished with a sophisticated solid state transfer switch which will automatically disconnect the emergency lights from the battery if the battery has been discharged to the end of its useful output.

WARNING: Unused wires must be capped using enclosed wire nuts.

MAINTENANCE:

CAUTION: Always turn OFF AC power to the equipment before servicing. Servicing should be performed only by a qualified service technician. Only manufacturer SUPPLIED or APPROVED replacement parts must be used.

1. BATTERY: The battery supplied with this unit requires ZERO maintenance. However it should be tested periodically (see TESTING section) and replaced when it no longer operates the connected fixtures for the complete duration of a 30-second or 90-minute test. It has a life expectancy of 5 - 7 yrs when used in a normal ambient temperature of 72° F.
2. OTHER: Clean lenses and replace lamps as, and when, required.

TESTING:

NFPA 101 (*Life Safety Code*) requires that all emergency lighting equipment be functionally tested every 30 days for a minimum of 30 seconds and tested annually for full 90-minute duration. Written records of the testing are to be kept for examination by the authority having jurisdiction.

TROUBLESHOOTING:

1. The emergency lights DO NOT operate and:
 - a. If the charge indicator light is OFF - Check that the circuit breaker for AC supply is ON.
 - b. If the charge indicator light is ON:
 - Check that the battery is properly connected.
 - If remote lamps are connected to the equipment, then turn OFF the AC supply and disconnect the remote circuit wires from the equipment. Turn ON the AC supply and depress the test switch. If the local lamps (mounted on the equipment itself) come ON, then check the remote circuit for short or overload condition and correct as required. Reconnect the circuit wires and restore AC power.
 - If the local lamps don't turn ON after disconnecting the remote circuit wires, then replace battery.
2. Emergency lights are dim - Implies battery might not be fully charged. Allow battery to recharge for 24 hours and then re-test.
3. Remote lights are dim - Remote wire size is too small causing excessive voltage drop (more than the permitted 5%) and thus causing the lamps to illuminate with less intensity. Refer to STEP 4 of INSTALLATION section for more information.

