

C-EE-A-EX-2LDF Series

LED Exit & Emergency Combo with Battery Backup



FIRST-CLASS EXIT & EMERGENCY LIGHTING

Our UL listed C-Lite LED Exit & Emergency Combo with Battery Backup comes with your choice of testing option: manual-test or self-test diagnostics. It's equipped and ready for single/double face application, with black or white housing and red or green letters. Enjoy a 5-year limited warranty.



PRODUCT SPECIFICATIONS

OVERVIEW

- Input Power: C-EE-A-EX-2LDF-GRN-BB-REM: 3.0W at 120V, 3.2W at 277V; C-EE-A-EX-2LDF-RED-BB-REM: 3.4W at 120V, 3.6W at 277V; C-EE-A-EX-2LDF-GRN-BB, C-EE-A-EX-2LDF-RED-BB: 3.7W at 120V, 3.8W at 277V
- Finish Color: Black or white
- Operating Minimum: 32°F to 104°F (0°C to 40°C)
- Battery Backup: Yes
- Limited Warranty: 5 Years*
- UL Listed
- 6" Letters: Red or Green
- Remote capable option can accommodate 3W
- Add Certifications box: Meets UL924, NFPA 101 Life Safety Code, NEC & OSHA codes
- Self-Test diagnostic options (available)
- High Lumen options (available)

ADAPTABILITY	RECOMMENDED USE	INPUT VOLTAGE
<ul style="list-style-type: none"> • Remote Capable* • Two Adjustable LED lamp heads • 90-minute battery backup 	<ul style="list-style-type: none"> • Exit identification & emergency lighting • Indoor commercial, retail & industrial applications 	<ul style="list-style-type: none"> • 120V or 277V Operation

ORDERING INFORMATION

Example: C-EE-A-EX-2LDF-GRN-BB-REM-HL-ST

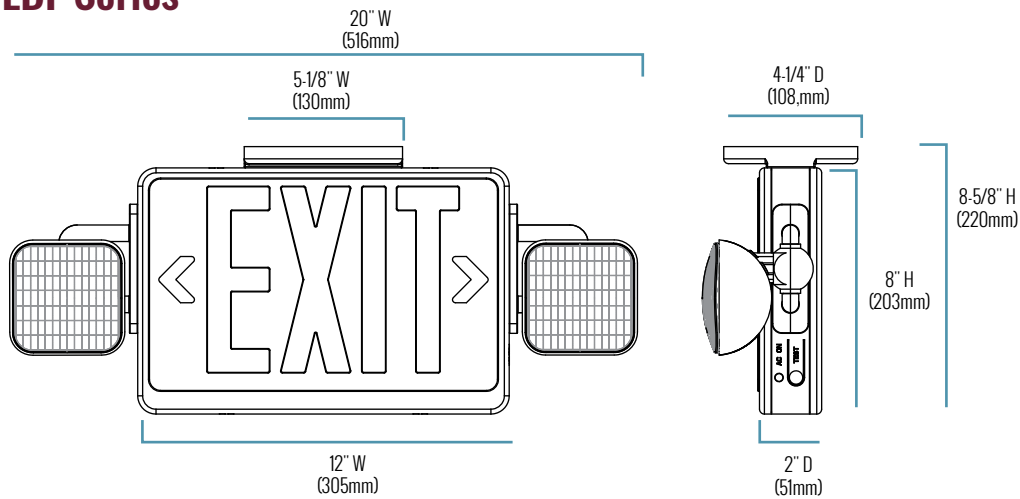
C-EE	A	EX	2LDF		BB				
PRODUCT	SERIES	TYPE	STYLE	COLOR	BATTERY	OPTION	LUMEN PACKAGE (INTEGRAL HEADS)	TESTING OPTION	HOUSING COLOR
C-EE	A	EX LED Exit Sign/ Emergency Light	2LDF 2 Heads, Single/ Double Face	GRN Green Letters RED Red Letters	BB Battery Backup	[Blank] Non-Remote Capable REM Remote Capable*	[Blank] Standard Lumen 45L/Head HL High Lumen 65L/Head HL High Lumen (Not available in Black housing)	[Blank] Manual-Test ST Self-Test Diagnostics	[Blank] White housing BK Black housing

* Remote unit will run up to 3 single LED remote heads

CERTIFICATIONS



C-EE-A-EX-2LDF Series



SERIES OVERVIEW

DIMENSIONS	PRODUCT WEIGHT	MOUNTING HEIGHT
4-1/4" (108mm) D x 20" (516mm) W x 8-5/8" (220mm) H Width includes heads fully extended. Depth includes mounting plate	4.1 lbs. 4.2 lbs. (with battery backup)	8.5 feet (maximum)

FIXTURE SPECIFICATIONS

HOUSING	Black or white, injection-molded, 5VA flame retardant thermoplastic housing Easy to remove and replace chevrons
MOUNTING	Easy-snap mounting canopy included for top or end mounting Universal knockout pattern on back plate for wall mount Mounting hardware included
INCLUDES	Two adjustable 1W LED lamp heads Sealed 9.6V maintenance-free nickel cadmium battery backup (Minimum 90 minute emergency illumination) Charge/Power on LED light indicator (battery recharges within 24 hours via internal solid-state, two-rate charger) Push-to-test switch (for non-self-test models)

ELECTRICAL PERFORMANCE

OPERATING TEMPERATURE RANGE
32°F to 104°F (0°C to 40°C)

INPUT VOLTAGE	120V	277V
CURRENT DRAW (Amps):	0.04A (C-EE-A-EX-2LDF-RED-BB)	0.02A (C-EE-A-EX-2LDF-RED-BB)
	0.03A (C-EE-A-EX-2LDF-GRN-BB)	0.014A (C-EE-A-EX-2LDF-GRN-BB)
	0.033A (C-EE-A-EX-2LDF-RED-BB-REM)	0.015A (C-EE-A-EX-2LDF-RED-BB-REM)
	0.038A (C-EE-A-EX-2LDF-GRN-BB-REM)	0.014A (C-EE-A-EX-2LDF-GRN-BB-REM)

WARRANTY AND CERTIFICATIONS

WARRANTY	UL LISTED
5-Year Limited	Damp Locations

CA RESIDENTS WARNING: Cancer and Reproductive Harm - www.p65warnings.ca.gov

US: creelighting.com, e-conolight.com

Distribution/Sales: 855-617-2733 Customer Service: 888-243-9445


Rev. Date: 02/25/2021





For informational purposes only. Content is subject to change. *See lighting.cree.com/warranty for details

C-LITE
LED LIGHTING

C-EE-A-EX-2LDF Series

ACCESSORIES

	1W SINGLE REMOTE HEAD - WHITE
	SKU: C-EE-A-EMG-1L-REM-WH USE: Damp Listed
	1W SINGLE REMOTE HEAD - GRAY
	SKU: C-EE-A-EMG-1L-REM-WET-GR USE: Wet Listed
	1W DOUBLE REMOTE HEAD - 2W TOTAL - WHITE
	SKU: C-EE-A-EMG-2L-REM-WH USE: Damp Listed
	1W DOUBLE REMOTE HEAD - 2W TOTAL - GRAY
	SKU: C-EE-A-EMG-2L-REM-WET-GR USE: Wet Listed

	SELF-TEST 1W SINGLE REMOTE HEAD - WHITE
	SKU: C-EE-A-EMG-1L-REM-ST-WH USE: Damp Listed, for use with self-test fixtures only.
	SELF-TEST 1W SINGLE REMOTE HEAD - GRAY
	SKU: C-EE-A-EMG-1L-REM-WET-ST-GR USE: Wet Listed, for use with self-test fixtures only.
	SELF-TEST 1W DOUBLE REMOTE HEAD - 2W TOTAL - WHITE
	SKU: C-EE-A-EMG-2L-REM-ST-WH USE: Damp Listed, for use with self-test fixtures only.
	SELF-TEST 1W DOUBLE REMOTE HEAD - 2W TOTAL - GRAY
	SKU: C-EE-A-EMG-2L-REM-WET-ST-GR USE: Wet Listed, for use with self-test fixtures only.