

C-EE-A-EMG-REM Series

LED Single and Double Remote Heads



OFF THE WALL SAVINGS

Our UL Listed C-Lite LED Single/Double Remote Head delivers 45 lumens per head. It's designed for use with 3.6V, 6V, 9.6V, or 12V DC power source and is available in 5000K. Choose between a white (Indoor) or gray (Outdoor) finish color and enjoy a 5-year warranty.



PRODUCT SPECIFICATIONS

OVERVIEW

- Initial Delivered Lumens: 45 Lumens per head
- Finish Color: White (Indoor) and Gray (Outdoor)
- Operating Range: -4°F to 122°F (-20°C to 50°C)
- Limited Warranty: 5 Years*
- UL Listed
- Meets UL924, NFPA 101 Life Safety Code, NEC & OSHA codes

EASY INSTALL	RECOMMENDED USE	INPUT VOLTAGE
<ul style="list-style-type: none"> • Quick-connect back plate fits most standard junction boxes & snaps into place for easy surface mounting 	<ul style="list-style-type: none"> • General purpose emergency lighting • Indoor or outdoor commercial, retail & industrial applications 	<ul style="list-style-type: none"> • For use with 3.6V, 6V, 9.6V or 12V DC power source

ORDERING INFORMATION

Example: C-EE-A-EMG-1L-REM-WET-GR

C-EE	A	EMG		REM			
PRODUCT	SERIES	TYPE	LUMEN PACKAGE	REMOTE HEAD	LISTED	TESTING OPTION	COLOR
C-EE	A	EMG LED Emergency Light	1L 45 Lumens/Head 2L 45 Lumens/Head	REM Remote Head	[Blank] Damp-Listed (Indoor) WET Wet-Listed (Outdoor)	[Blank] Manual-Test (Standard) ST Self-Test* Diagnostics	WH White (Indoor only) GR Gray (Outdoor only)

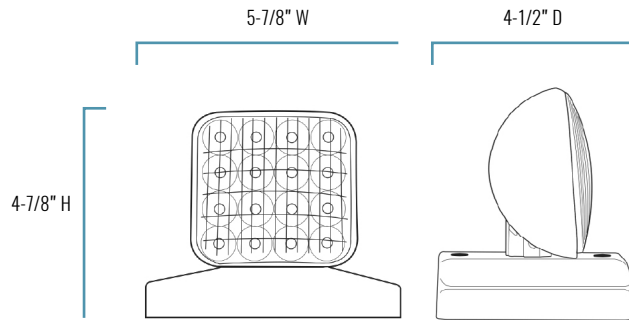
*For use with self-test fixtures only.

CERTIFICATIONS

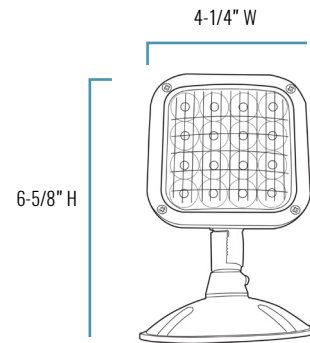


C-EE-A-EMG-REM Series

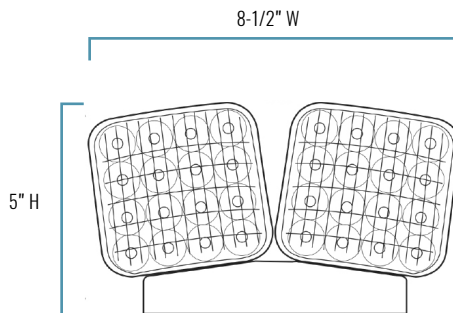
C-EE-A-EMG-1L-REM-WH



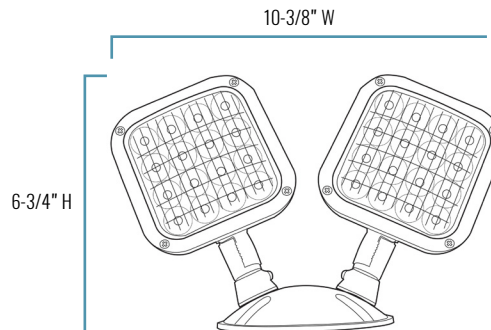
C-EE-A-EMG-1L-REM-WET-GR



C-EE-A-EMG-2L-REM-WH



C-EE-A-EMG-2L-REM-WET-GR



SERIES OVERVIEW

DIMENSIONS	PRODUCT WEIGHT
C-EE-A-EMG-1L-REM-WH: 5-7/8" W x 4-7/8" H x 4-1/2" D	0.7 lbs.
C-EE-A-EMG-1L-REM-WET-GR: 4-1/4" W x 6-5/8" H x 4-1/4" D	1.3 lbs.
C-EE-A-EMG-2L-REM-WH: 8-1/2" W x 5" H x 4-7/8" D	1.0 lbs.
C-EE-A-EMG-2L-REM-WET-GR: 10-3/8" W x 6-3/4" H x 4-1/4" D	2.3 lbs.

*Self-test versions measure & weigh the same as standard models noted above.

C-EE-A-EMG-REM Series

FIXTURE SPECIFICATIONS

HOUSING	(Indoor): White, 5VA flame retardant thermoplastic (Outdoor): Gray, die-cast aluminium
MOUNTING	Universal mounting plate for ceiling or wall mount Mounting hardware included

ELECTRICAL PERFORMANCE

OPERATING TEMPERATURE RANGE
-4°F to 122°F (-20°C to 50°C)

WARRANTY AND CERTIFICATIONS

WARRANTY	UL LISTED
5-Year Limited	Damp (White) & Wet (Gray) Locations

 **CA RESIDENTS WARNING-** Cancer and Reproductive Harm –
www.p65warnings.ca.gov