

C-EE-A-EMG-2L-WET Series

LED Wet-Listed Emergency Light



Reliability During an Emergency

Our UL listed LED Wet-listed Emergency Light features a battery backup and a 5-year limited warranty. It's perfect for indoor commercial, retail, and industrial applications.



PRODUCT SPECIFICATIONS

OVERVIEW

- Input Power: Up to 6.2W
- Finish Color: Gray
- Operating Temperature Range: 68°F to 104°F (20°C to 40°C)
-13°F to 104°F (-25°C to 40°C) **(Cold Location)**
- Battery Backup: Yes
- Limited Warranty: 5 Years*
- UL Listed
- Meets UL924, NFPA 101 Life Safety Code, NEC & OSHA codes

FEATURES	RECOMMENDED USE	INPUT VOLTAGE
<ul style="list-style-type: none"> • Sealed housing offers protection against wet locations • 2 Fully adjustable 3.3W MR16 base LED lamp heads • LVD (low voltage disconnect) protects battery from deep discharge • Internal heater and battery blanket installed with Cold Location model 	<ul style="list-style-type: none"> • General purpose emergency lighting • Indoor commercial, retail & industrial applications • Flexibility of additional locations • Cold location version for use to -13°F (-25°C) 	<ul style="list-style-type: none"> • 120V or 277V Operation

ORDERING INFORMATION

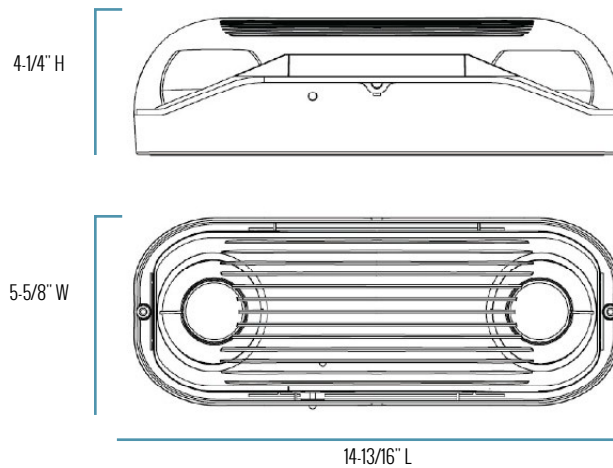
Example: C-EE-A-EMG-2L-WET-BB-GR

C-EE	A	EMG	2L	WET		BB	GR
PRODUCT	SERIES	TYPE	LUMEN PACKAGE	WET	APPLICATION	BATTERY	COLOR
C-EE	A	EMG LED Emergency Light	2L	WET Wet-Listed	BLANK Standard COLD Cold Weather	BB Battery Backup	GR Gray

CERTIFICATIONS:



C-EE-A-EMG-2L-WET Series



SERIES OVERVIEW

DIMENSIONS	PRODUCT WEIGHT	MOUNTING HEIGHT	SPACING
4-1/4" D x 14-13/16" W x 5-5/8" H	4.8 lbs.	See local code	See local code

FIXTURE SPECIFICATIONS

HOUSING	Injection-molded high-impact resistant thermoplastic 5VA flame retardant thermoplastic housing Gasketed clear polycarbonate cover protects against wet, non-hazardous dust & water spray or splashing water locations
MOUNTING	Wall mount using knockouts on the back plate for installation over most standard junction boxes
INCLUDES	Two adjustable 3.3W MR16 base LED lamps Sealed, 6V lead acid battery (minimum 90 minute emergency illumination) Charge/power on LED indicator (battery recharges with 24 hours via internal solid state, two rate charger) Internal heater and battery blanket (Cold Location rated unit only)

ELECTRICAL PERFORMANCE

OPERATING TEMPERATURE RANGE
68°F to 104°F (20°C to 40°C), -13°F to 104°F (-25°C to 40°C) (Cold Location)

INPUT VOLTAGE	120V	277V
CURRENT DRAW (Amps):	0.053A	0.025A
	0.050A (Cold Location)	0.025A (Cold Location)

WARRANTY AND CERTIFICATIONS

WARRANTY	UL LISTED
5-Year Limited (Housing & Electronics) 2-Year Pro-Rated (Battery)	Wet Locations Cold Locations (C-EE-A-EMG-2L-WETCOLD-BB-GR)



©2021 Cree Lighting, A company of IDEAL INDUSTRIES. All rights reserved. For informational purposes only. Content is subject to change. Patent www.creelighting.com/patents. C-Lite and the C-Lite logo are registered trademarks of Cree Lighting. The UL logo is a registered trademark of UL LLC.

US: creelighting.com, e-conolight.com

Distribution/Sales: 855-617-2733 Customer Service: 888-243-9445

Rev. Date: 03/10/2021

For informational purposes only. Content is subject to change. *See lighting.cree.com/warranty for details

C-LITE
LED LIGHTING