

# LOW VOLTAGE DC EMERGENCY RELAY SWITCH INSTALLATION INSTRUCTIONS

ESCGRID-EM



On the DesignLights Consortium™ Qualified Products List

“Suitable for Use in Air-Handling Spaces.” Dry locations only. For use with Armstrong Ceilings® DC FlexZone™ Suprafine and Silhouette Energized Ceiling Grids - Not intended for power connection to Silhouette Grid bus locations.

## IMPORTANT SAFETY INSTRUCTIONS:

**WARNING:** To reduce the risk of fire and electrical shock, carefully follow these instructions. This product is to be installed by qualified personnel only.

**WARNING:** Interconnection of more than one (1) power supply source to a section of Armstrong Ceilings DC FlexZone Suprafine or Silhouette suspension ceiling grid rail bus may present a fire hazard.

**WARNING:** Do not use in outdoor applications - for indoor use only.

**WARNING:** Do not mount near gas or electrical heaters.

**WARNING:** Equipment should be mounted in locations and at heights where it will not readily be subjected to tampering by unauthorized personnel.

**USE OF ACCESSORY EQUIPMENT NOT RECOMMENDED BY MANUFACTURER -  
MAY CAUSE UNSAFE CONDITIONS**

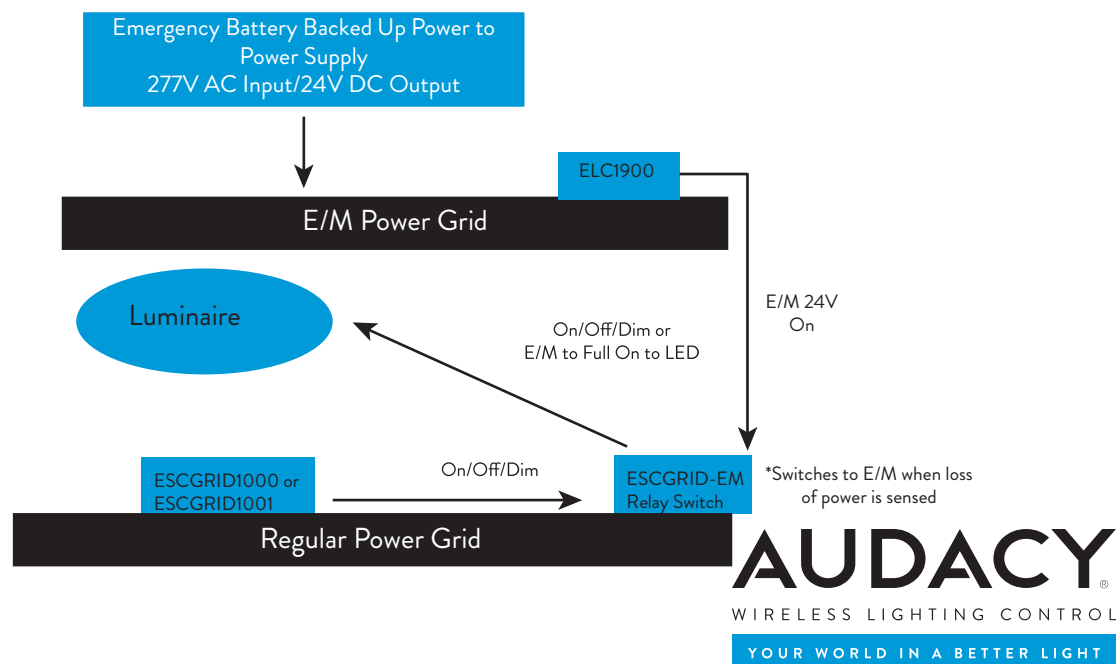
**DO NOT USE THIS EQUIPMENT FOR OTHER THAN INTENDED USE**

**NOTE:** A maximum of four (4) ESCGRID-EM Luminaire Controllers can be placed in a 20 sq. ft. area of an Armstrong Ceilings DC FlexZone ceiling grid

**VOLTAGE & CURRENT RATINGS:** 24V DC, 2.0A Maximum - **DO NOT OVERLOAD** - Designed for applications connecting to Class 2 power supplies

**WIRE RANGE:** 18 AWG stranded - 7 strands - Copper only - Use plenum rated cable or wires only

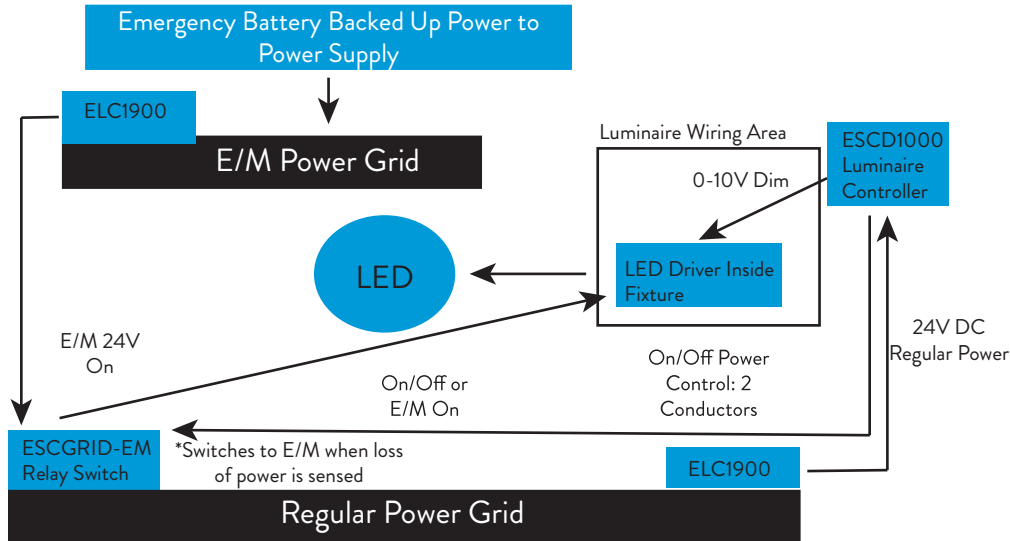
## DIAGRAM 1: 24V DC FIXTURE INSTALLATION (I.E. JLC-TECH)



# LOW VOLTAGE DC EMERGENCY RELAY SWITCH

ESCGRID-EM

DIAGRAM 2: 0-10V DIMMING FIXTURE INSTALLATION

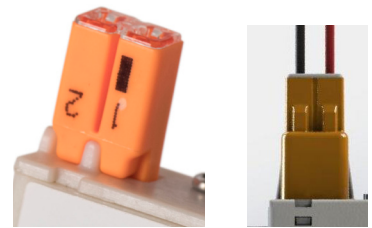


## CABLE CONNECTIONS INSTRUCTIONS:

Plenum Cable to 182S Male or Female Connector - Turn Off Power Before Working on Connections - Use Copper

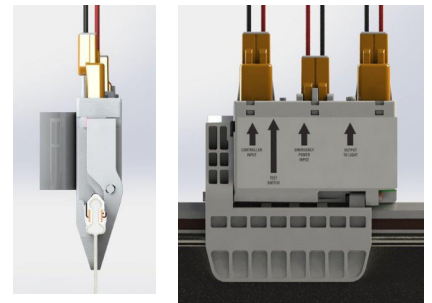
### Conductors Only

1. Strip outer jacket (if applicable) approximately 2"
2. Strip each conductor 3/8"
3. **IMPORTANT:** The orange connector on the Luminaire Controller that has a black mark indicates the port with positive (+) polarity. The orange connector that does not have a black mark indicates negative (-) polarity to the fixture. See Figures to the right.
4. Align the strands and push each wire into the individual ports.
5. Verify all strands are pushed firmly in the orange connector.



### CONNECTING ESCGRID-EM TO DCFLEXZONE™ CEILING GRID:

1. Verify that ESCGRID-EM jaws are OPEN. If they are not, use a twist-and-pull motion to release the two halves in order to open the jaws.
2. Slide the ESCGRID-EM over grid member from the top of the grid section ensuring the contacts are centered over the grid. Damage can occur if the contacts are placed onto the grid at an angle. See Figure to the right.
3. Press the halves of the ESCGRID-EM back together to apply it to the bus of the ceiling grid. You will feel a click when the ESCGRID-EM has been applied fully and locked. See Figure to the right.
4. Verify all products are properly inserted into the correct locations on the DCFlexZone ceiling grid per either diagram above.
5. Once wiring is completed, press the Test button to see proper switching from regular power to E/M power.



**NORMAL OPERATION MODE:** Housing of product will glow Green once E/M grid power is connected and On and the regular grid power is On.

**TESTING E/M SWITCHOVER MODE:** Press switch button in to test E/M switchover functionality until housing of product glows Red. Red glow also occurs when regular power is lost from the grid and unit switches to E/M power grid.

CONTACT US TODAY FOR A CONSULTATION

1.800.273.9989

CONTACTUS@AUDACYWIRELESS.COM

AUDACYWIRELESS.COM

**AUDACY**  
WIRELESS LIGHTING CONTROL  
YOUR WORLD IN A BETTER LIGHT

A DIVISION OF IDEAL INDUSTRIES, INC.

AUDACY | 2