

PSRV Series

PSRV Round Tapered Steel Poles

Rev. Date: V2 11/18/2020

Product Description

Round Tapered Poles combine their graceful, distinctive appearance with quality construction. They are available in lengths of 25' (7.6m), 30' (9.1m), 35' (10.7m), 39' (11.9m), 45' (13.7m), and 50' (15.m). Luminaire mounting is accomplished by attaching the luminaire to a 2" (25mm) schedule 80 pipe that is peripherally welded to the top of the shaft. Poles can also be drilled for direct mounting luminaires. Each pole is shipped complete with galvanized anchor bolts, paper mounting template and base cover. The two-piece non-metallic base cover is held together by two fasteners. The poles come with a reinforced hand hole that is welded to the shaft. The steel hand-hole cover is attached with two high-strength fasteners.

CONSTRUCTION & MATERIALS

- The shaft, of hot rolled, commercial quality ASTM A595 Grade A 11-gauge steel, has a minimum yield strength of 50,000 p.s.i.
- Shaft taper is a uniform 0.140 inch per foot
- One-piece construction features a full length, longitudinal, high frequency resistance weld
- Base plate made of carbon steel with 36,000 p.s.i. minimum yield strength, telescopes the shaft and is welded top and bottom
- Polyester powder finish
- F1554 Grade 55 steel anchor bolts with 55,000 p.s.i. minimal yield strength

REGULATORY & VOLUNTARY QUALIFICATIONS

- Grounding lug meets UL and NEC requirements for electrical ground bonding
- Meets AASHTO standards for mechanical strength and windloading
- Meets or exceeds NEC requirements

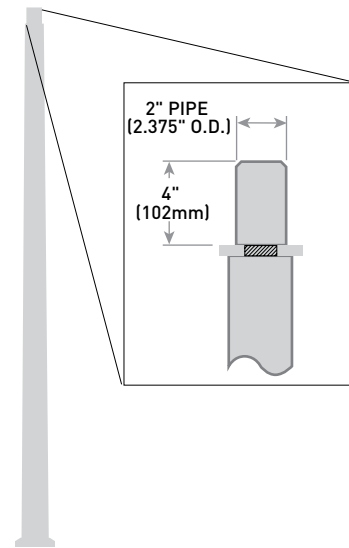
LIMITED WARRANTY*

- 1 year on pole and finish

*See <http://creelighting.com/warranty> for warranty terms



Pole (Tenon Top Configuration)



Ordering Information

Example: PSRV25CTBZ

| Product [Height (ft) x Base O.D x Top O.D. & Wall Thickness] | | Mounting Configuration | Color Options |
|---|---|--|--|
| PSRV25C 25 x 7.0 x 3.5 RND x 11 Gauge PSRV30C 30 x 8.0 x 3.8 RND x 11 Gauge PSRV35C 35 x 8.5 x 3.6 RND x 11 Gauge | PSRV39C 39 x 9.0 x 3.6 RND x 11 Gauge PSRV45C 45 x 10 x 3.7 RND x 11 Gauge PSRV50C 50 x 10 x 3.0 RND x 11 Gauge | 1 Single ¹ 2 Twin @ 180° 3 Twin @ 90° ¹ 5 Triple ¹ 6 Quad ¹ 7 Triple @ 120° ¹ T Tenon Top | BK Black BZ Bronze SV Silver WH White |

¹ Direct mount pole configuration. Refer to page 2 for Fixture Mounting Drill Pattern. Not for use with THE EDGE® High Output or OSQ™ High Output Luminaires

CA RESIDENTS WARNING: Cancer and Reproductive Harm – www.p65warnings.ca.gov



US: creelighting.com (800) 236-6800

Canada: creelighting-canada.com (800) 473-1234

CREE  **LIGHTING**

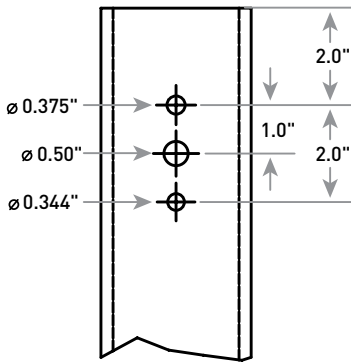
PSRV Round Tapered Steel Poles

EPA & Weight

| Product | Height (ft) x Base O.D x Top O.D. x Wall Thickness | Bolt Circle/Range (in) | Bolt Size (in) | 80 MPH Max | | 90 MPH Max | | 100 MPH Max | | 110 MPH Max | | 120 MPH Max | | 130 MPH Max | | 140 MPH Max | | Approx. Shipping Weight |
|---------|--|------------------------|----------------|------------|------------------|------------|------------------|-------------|------------------|-------------|------------------|-------------|------------------|-------------|------------------|-------------|------------------|-------------------------|
| | | | | EPA | Luminaire Weight | EPA | Luminaire Weight | EPA | Luminaire Weight | EPA | Luminaire Weight | EPA | Luminaire Weight | EPA | Luminaire Weight | EPA | Luminaire Weight | |
| PSRV25C | 25 x 7.0 x 3.5 RND x 11 Gauge | 10.0/9.5-10.5 | 1 | 20.3 | 507 lbs. (230kg) | 16.2 | 405 lbs. (184kg) | 13.1 | 327 lbs. (148kg) | 11.2 | 280 lbs. (127kg) | 9.4 | 235 lbs. (106kg) | 7.8 | 194 lbs. (88kg) | 6.7 | 168 lbs. (76kg) | 200 lbs. (91kg) |
| PSRV30C | 30 x 8.0 x 3.8 RND x 11 Gauge | 11.0/10.5-11.5 | 1 | 18.9 | 473 lbs. (215kg) | 14.9 | 373 lbs. (169kg) | 12.0 | 300 lbs. (136kg) | 10 | 250 lbs. (113kg) | 8.4 | 210 lbs. (95kg) | 6.8 | 168 lbs. (76kg) | 5.7 | 143 lbs. (65kg) | 265 lbs. (120kg) |
| PSRV35C | 35 x 8.5 x 3.6 RND x 11 Gauge | 11.5/11-12 | 1 | 18.9 | 472 lbs. (214kg) | 15.1 | 377 lbs. (171kg) | 12.2 | 305 lbs. (138kg) | 10.5 | 263 lbs. (119kg) | 8.7 | 218 lbs. (98kg) | 7.2 | 180 lbs. (82kg) | 5.9 | 148 lbs. (67kg) | 315 lbs. (143kg) |
| PSRV39C | 39 x 9.0 x 3.6 RND x 11 Gauge | 12.5/12-13 | 1 | 17.2 | 430 lbs. (195kg) | 13.5 | 338 lbs. (153kg) | 10.8 | 270 lbs. (122kg) | 9.0 | 225 lbs. (102kg) | 7.3 | 183 lbs. (83kg) | 5.8 | 144 lbs. (65kg) | 4.7 | 118 lbs. (54kg) | 355 lbs. (161kg) |
| PSRV45C | 45 x 10 x 3.7 RND x 11 Gauge | 13.5/13-14 | 1 | 17.4 | 435 lbs. (197kg) | 13.5 | 338 lbs. (153kg) | 10.6 | 265 lbs. (120kg) | 8.8 | 219 lbs. (99kg) | 7.0 | 175 lbs. (79kg) | 5.5 | 138 lbs. (63kg) | 4.3 | 108 lbs. (49kg) | 450 lbs. (204kg) |
| PSRV50C | 50 x 10 x 3.0 RND x 11 Gauge | 13.5/13-14 | 1 | 13.2 | 330 lbs. (150kg) | 10.6 | 265 lbs. (120kg) | 8.3 | 208 lbs. (94kg) | 6.9 | 173 lbs. (78kg) | 5.4 | 135 lbs. (61kg) | 4.1 | 103 lbs. (47kg) | 3.1 | 78 lbs. (35kg) | 475 lbs. (215kg) |

NOTE: Hanging signs, banners and flags on poles changes the EPA rating and increases vibration. The EPA ratings data provided does not allow for this added stress which could result in pole or luminaire failure.

Fixture Mounting Drill Patterns



NOTE: Applies to Direct Mount pole configurations (1, 2, 3, 5, 6, 7). Not for use with THE EDGE® High Output or OSQ™ High Output luminaires.

This map indicates approximate maximum wind zones throughout the U.S. Base wind velocities are established using a 50-year recurring mean. The EPA rating of the pole must be equal to or greater than that of the luminaire(s), taking into consideration the wind conditions at the job site.

