

Cree NEMA® 7-Pin Receptacle

Used with XSP1™, XSP1-H0, XSP2™, XSP2-H0, XSPR™, XSPR-H0, OSQ™, OSQ-H0 and RSW™ Luminaires

Product Description

The Cree NEMA® 7-pin receptacle is a two-piece rotational receptacle with seven conductors. It can be used with an ANSI C136.10 compliant photocell or shorting cap (by others), or an ANSI C136.41 compatible control system module (by others). The receptacle is constructed of durable polycarbonate, and features dual molded-in elastomeric gaskets on the base of the component to prevent water ingress into the housing of the luminaire. The receptacle features an "N" (north indicator) molded onto the face of the receptacle to assist with tool-less rotational alignment, and a 355-degree rotation limit.

The receptacle is not sold separately.

Features

- Tool-less entry
- Smart City ready

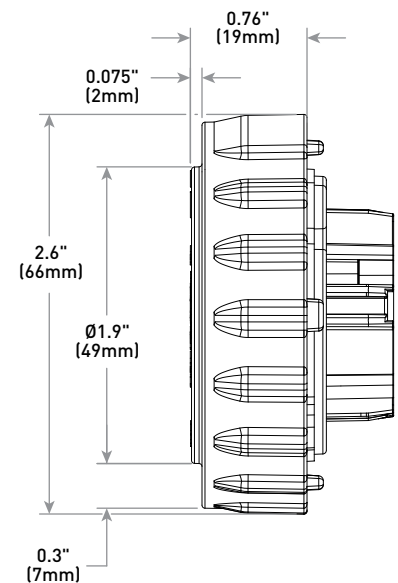
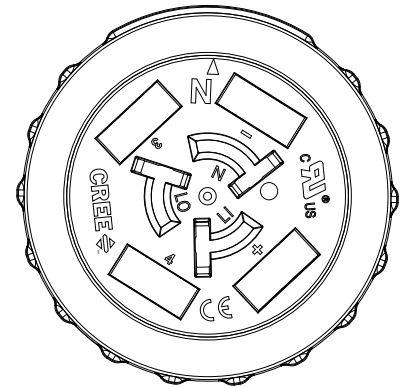
Product Specifications


ELECTRICAL

- Brass or phosphor bronze electrical contacts
- Fully insulated terminals
- 600V, 150C wire
- 14 Ga. neutral, line in and line out wiring (white, red and black)
- 18 Ga. 0-10V dim wires and two additional control wires (grey, violet, orange and brown)
- **Maximum Electrical Ratings:** 480V, 15A

REGULATORY & VOLUNTARY QUALIFICATIONS

- ANSI C136.41-2014 compliant
- ANSI C136.10-2010 compliant
- cULus Recognized
- UL 773
- RoHS compliant
- Molded plastic components have a UL rating of F1 for UV stability
- Molded plastic components have a UL94 flammability rating of 5VA at 3mm thickness



 **CA RESIDENTS WARNING:** Cancer and Reproductive Harm – www.p65warnings.ca.gov



Rev. Date: V4 10/23/2018

© 2018 Cree, Inc. and/or one of its subsidiaries. All rights reserved. For informational purposes only. Content is subject to change. Patents www.cree.com/patents. Cree® and the Cree logo are registered trademarks, and OSQ™, XSP1™, XSP2™, XSPR™ and RSW™ are trademarks of Cree, Inc. NEMA® is a registered trademark of the National Electrical Manufacturers Association. The UL recognized logo is a registered trademark of UL LLC.

US: lighting.cree.com

T (800) 236-6800 F (262) 504-5415

Canada: www.cree.com/canada



T (800) 473-1234 F (800) 890-7507