

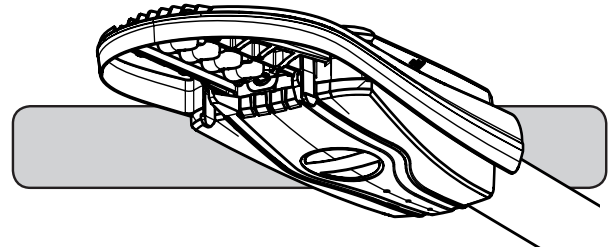
IMPORTANT SAFEGUARDS

When using electrical equipment, basic safety precautions should always be followed including the following:

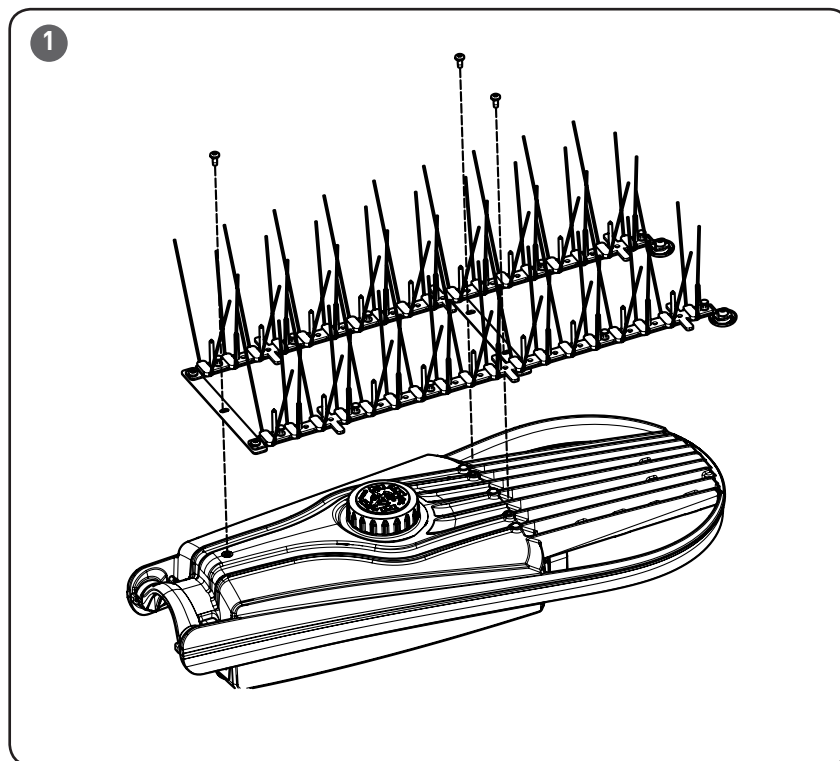
READ AND FOLLOW ALL SAFETY INSTRUCTIONS

1. **DANGER**- Risk of shock- Disconnect power before installation.
DANGER – *Risque de choc – Couper l'alimentation avant l'installation.*

SAVE THESE INSTRUCTIONS FOR FUTURE REFERENCE



TO INSTALL:



STEP 1:

Insert (3) supplied screws into the bird spikes as shown in **Figure 1**.

STEP 2:

Bring bird spikes to top of the luminaire and insert the (3) supplied screws on the bird spikes with the three holes on the luminaire and tighten screws. To avoid stripping threads torque to 23 in-lbs \pm 3 in-lbs. See **Figure 1**.

NOTE: DO NOT exceed recommended torque.