

IMPORTANT SAFEGUARDS

INSTALLATION INSTRUCTIONS
INSTRUCTIONS D'INSTALLATION

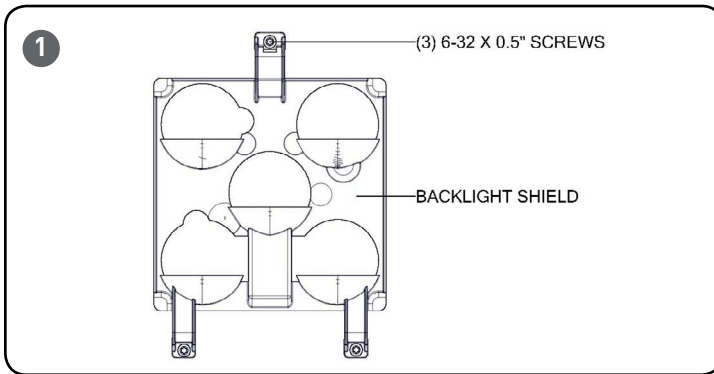
When using electrical equipment, basic safety precautions should always be followed including the following:

READ AND FOLLOW ALL SAFETY INSTRUCTIONS

1. To reduce the risk of electrical shock, turn off power supply before installation or servicing.
2. This accessory is intended to be used with XSP1 or XSP2 Series LED Streetlight.

SAVE THESE INSTRUCTIONS FOR FUTURE REFERENCE

TO INSTALL:



XA-SP1BLS ACCESSORY KIT CONTENTS (FIGURE 1)

1. (1) Back Light Shield
2. (3) 6-32" x 0.5" Screws

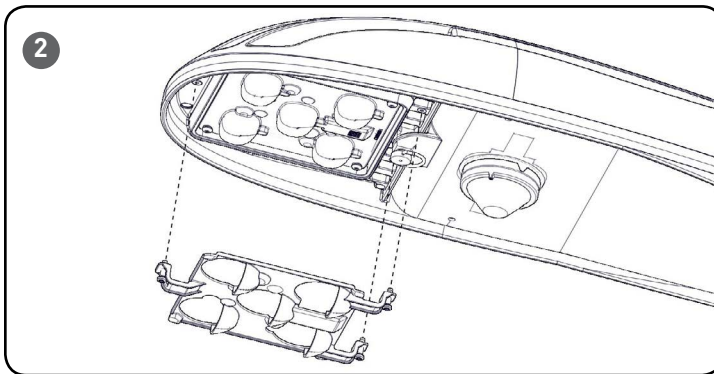
XA-SP1BLS MOUNTING

STEP 1:

Orientate the Back Light Shield so the shields are aiming towards the street side.

STEP 2:

Align the shields over the Optical Lens and secure the Back Light Shield Using the provided 6-32" x 0.5" Screws as shown in **Figure 2**.



XA-SP2BLS ACCESSORY KIT CONTENTS (FIGURE 1)

1. (2) Back Light Shield
2. (6) 6-32" x 0.5" Screws

XA-SP2BLS MOUNTING

NOTE: This is the same installation as the XA-SP1BLS except there will be (2) Back Light Shields provided per luminaire.

STEP 1:

Orientate the Back Light Shields so the shields are aiming towards the street side.

STEP 2:

Align the shields over the Optical Lens and secure the Back Light Shields Using the provided 6-32" x 0.5" screws as shown in **Figure 3**.

