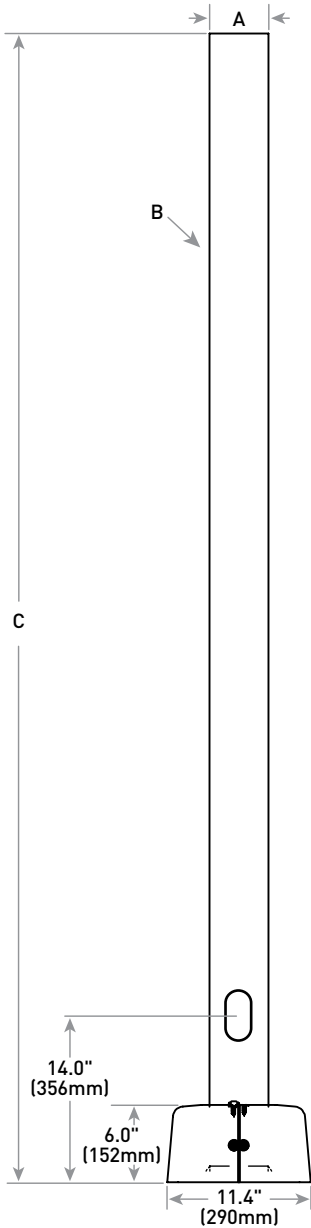
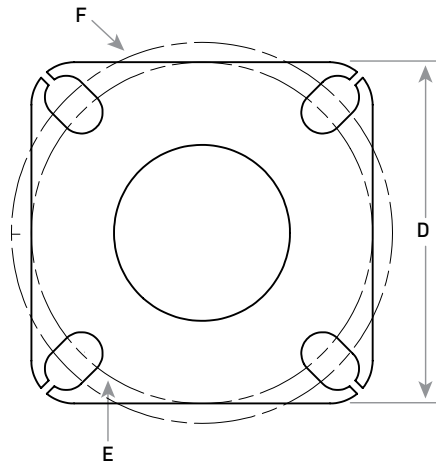


Pole Drawing



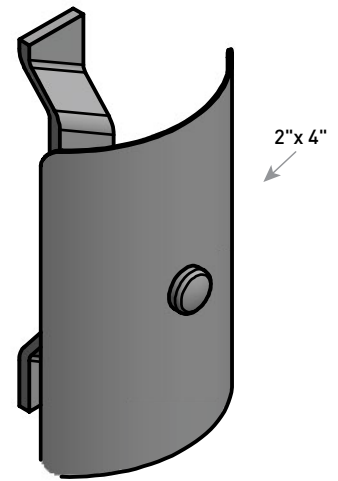
Refer to page 4 for dimensions.

Base Plate Detail

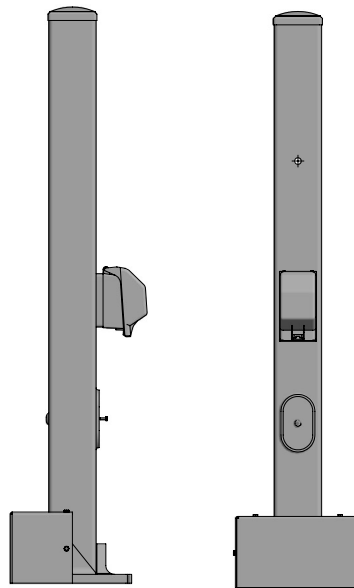


Refer to page 4 for dimensions.

Hand Hole Cover Drawing



Optional GFI (shown on square pole)

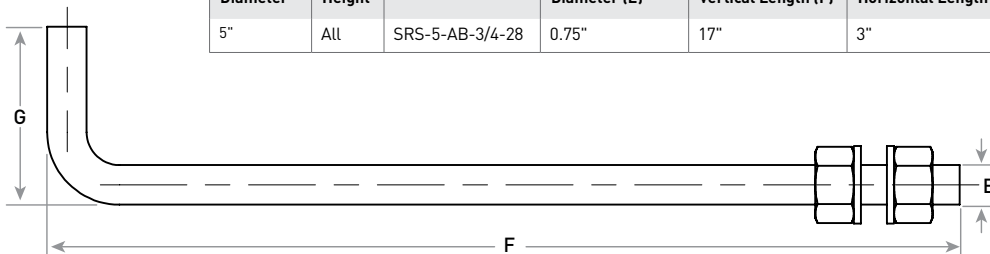


CONSTRUCTION & MATERIALS

- Heavy-duty steel construction
- Lockable security cover
- Includes adapter plates and foam gasket
- 20A, 120V, 60Hz GFCL, and cover also included
- 3-1/4" internal depth
- Standard GFI is located 28" above the pole base on the same side as the hand hole. Consult factory for placement in other locations
- Weatherproof while in use
- Meets NEC Extra Duty requirements
- Receptacle and cover ship separately in hardware bag

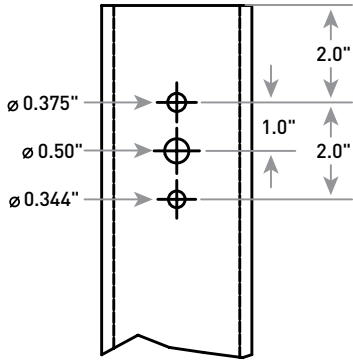
Anchor Bolt Detail

Pole Diameter	Pole Height	Part Number	Anchor Bolt Diameter (E)	Anchor Bolt Vertical Length (F)	Anchor Bolt Horizontal Length (G)
5"	All	SRS-5-AB-3/4-28	0.75"	17"	3"

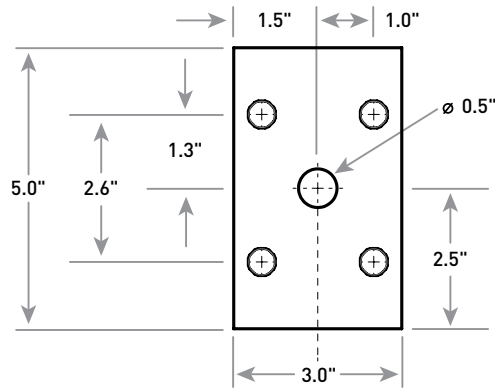


Fixture Mounting Drill Patterns

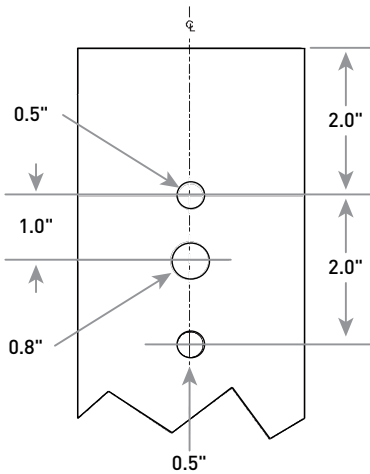
C - Standard Cree Lighting Fixture Mounting Drill Pattern



E - THE EDGE® High Output Mounting Drill Pattern



Q - OSQ™ High Output Mounting Drill Pattern



Open Top Mounting Configuration



Tenon EPA

Part Number	EPA
PB-1R5.00	0.92
PB-2R5.00	0.92
PB-3R5.00	1.62
PB-4R5.00	2.32
PB-4R5.0(90)	1.21
XA-TMDA8	0.19

Tenons and Brackets² (must specify color)

Round External Mount Vertical Tenons (Steel)

- Mounts to 5.0" (127mm) O.D. round aluminum or steel poles or tenons

PB-1R5.00 - Single PB-2R5.00 - Twin
 PB-3R5.00 - Triple PB-4R5.00 - Quad
 PB-4R5.0(90) - Quad @ 90°

Direct Arm Pole Adaptor Bracket

- Mounts to 3-6" (76-152mm) round or square aluminum or steel poles

- For use with horizontal tenon mounts that require extended tenon length

- Not for use with THE EDGE® or OSQ™ High Output Area/Flood luminaires

XA-TMDA8

Straight Round Steel Poles

Dimensions, EPA & Weight

Product	Diameter (A) x Wall (B) x Height (C)	Base Plate (Sq) x Thickness	Bolt Circle Range Min (E) - Max (F)	Pole EPA Rating - Max Luminaire Weight														Shipping Weight
				80	Weight	90	Weight	100	Weight	110	Weight	120	Weight	130	Weight	140	Weight	
SRS-5-11-12-SW-BS	5" x 11 ga. x 12'	8" x 0.75" Thick	8.0/7.0-9.0"	29.6	200 lbs.	22.9	200 lbs.	18.6	150 lbs.	15.2	150 lbs.	12.7	150 lbs.	10.8	125 lbs.	9.2	125 lbs.	120 lbs.
SRS-5-11-15-SW-BS	5" x 11 ga. x 15'	8" x 0.75" Thick	8.0/7.0-9.0"	22.3	200 lbs.	17.0	200 lbs.	13.7	150 lbs.	11.2	150 lbs.	9.2	150 lbs.	7.8	125 lbs.	6.7	125 lbs.	144 lbs.
SRS-5-11-17-SW-BS	5" x 11 ga. x 17'	8" x 0.75" Thick	8.0/7.0-9.0"	18.7	200 lbs.	14.1	200 lbs.	11.1	150 lbs.	9.0	150 lbs.	7.4	150 lbs.	6.3	125 lbs.	5.3	125 lbs.	161 lbs.
SRS-5-11-20-SW-BS	5" x 11 ga. x 20'	8" x 0.75" Thick	8.0/7.0-9.0"	13.9	200 lbs.	10.1	200 lbs.	7.8	150 lbs.	6.1	150 lbs.	4.9	150 lbs.	4.1	125 lbs.	3.4	125 lbs.	186 lbs.
SRS-5-11-22-SW-BS	5" x 11 ga. x 22'	8" x 0.75" Thick	8.0/7.0-9.0"	11.3	200 lbs.	8.0	200 lbs.	6.0	150 lbs.	4.5	150 lbs.	3.6	150 lbs.	2.9	125 lbs.	2.4	125 lbs.	202 lbs.
SRS-5-11-25-SW-BS	5" x 11 ga. x 25'	8" x 0.75" Thick	8.0/7.0-9.0"	8.2	200 lbs.	5.4	200 lbs.	3.8	150 lbs.	2.5	150 lbs.	1.9	150 lbs.	1.4	125 lbs.	1.1	125 lbs.	225 lbs.
SRS-5-11-27-SW-BS	5" x 11 ga. x 27'	8" x 0.75" Thick	8.0/7.0-9.0"	6.4	200 lbs.	3.9	200 lbs.	2.5	150 lbs.	1.4	150 lbs.	0.9	150 lbs.	0.6	125 lbs.	N/A	125 lbs.	244 lbs.
SRS-5-11-30-SW-BS	5" x 11 ga. x 30'	8" x 0.75" Thick	8.0/7.0-9.0"	4.0	200 lbs.	2.0	200 lbs.	2.0	150 lbs.	0.7	150 lbs.	N/A	150 lbs.	N/A	125 lbs.	N/A	125 lbs.	263 lbs.

NOTE: Hanging signs, banners and flags on poles changes the EPA rating and increases vibration. The EPA ratings data provided does not allow for this added stress which could result in pole or luminaire failure

Straight Round Steel Poles

This map indicates approximate maximum wind zones throughout the U.S. Base wind velocities are established using a 50-year recurring mean. The EPA rating of the pole must be equal to or greater than that of the luminaire(s), taking into consideration the wind conditions at the job site.

