

C-HB-B Series

Linear High Bay

Replaces up to 8-Lamp T5HO 54W



HIGH PERFORMANCE, LOW COST

cULus listed, our C-Lite LED Linear High Bay Light features a slim and sleek design that seamlessly blends into any application. Delivering up to 126 lumens per watt, it comes standard with an integrated frosted lens to reduce glare, along with durable aluminum housing and an integrated junction box that allows an easy installation. Enjoy 4kV surge protection, plus up to 73% smaller footprint than comparable technologies. Available in 4000K or 5000K.



PRODUCT SPECIFICATIONS

OVERVIEW

- Initial Delivered Lumens: Up to 38,000L
- CRI: ≥ 80 CRI
- CCT: Neutral White (4000K), Cool White (5000K)
- Mounting: Included hook and chain, pendant
- Input Power: Up to 324 Watts
- Dimmable: Yes, to 10%
- Operating Range: -40°C (-40°F) to 45°C (118°F)
- Estimated L70 Lifetime @ 25°C : $> 100,000$ hours
- Power Factor: > 0.9
- Total Harmonic Distortion: $< 20\%$
- Limited Warranty: 5-Year*
- Replaces up to 8-Lamp T5HO 54W

FEATURES	BENEFITS	RECOMMENDED USE
<ul style="list-style-type: none"> • Smaller footprint and increased efficiency over older technologies • Durable aluminum housing with integrated junction box allows for easy installation • High efficiency lens provides wide coverage and uniformity for your applications • Integrated 4KV surge protection 	<ul style="list-style-type: none"> • Up to 73% energy savings compared to linear fluorescent fixtures • High-powered, discrete LEDs are engineered for consistent coverage 	<ul style="list-style-type: none"> • Warehouse • Industrial • Retail

ORDERING INFORMATION

Example: C-HB-B-L2F-38L-40K-UL-WH

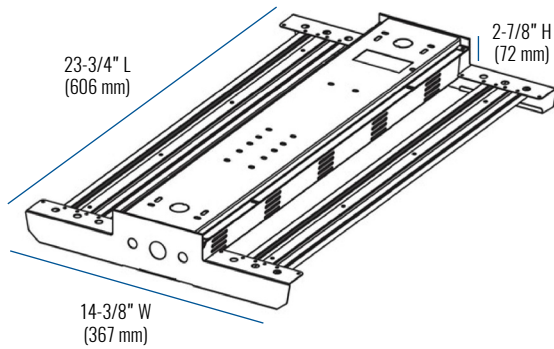
C-HB	B	L2F			UL	WH
PRODUCT	SERIES	STYLE	LUMEN PACKAGE	CCT	VOLTAGE	COLOR
C-HB	B	L2F LED Linear High Bay	7L 7800 Lumens, 62W 12L 12,800 Lumens, 103W 18L 18,400 Lumens, 149W	27L 27,400 Lumens, 219W 38L 38,000 Lumens, 324W	40K Neutral White (4000K) 50K Cool White (5000K)	UL Universal 120-277V WH White

CERTIFICATIONS:

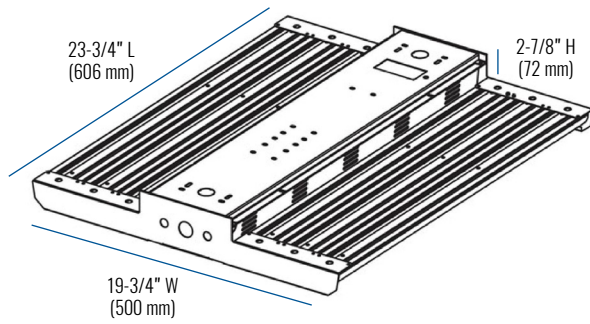


C-HB-B Series

C-HB-B-L2F-7L | C-HB-B-L2F-12L | C-HB-B-L2F-18L



C-HB-B-L2F-27L | C-HB-B-L2F-38L



SERIES OVERVIEW

SKU	DIMENSIONS	PRODUCT WEIGHT
C-HB-B-L2F-7L-50K-UL-WH	23-3/4" L x 14-3/8" W x 2-7/8" H	6.6 lbs.
C-HB-B-L2F-7L-40K-UL-WH		
C-HB-B-L2F-12L-50K-UL-WH		
C-HB-B-L2F-12L-40K-UL-WH		
C-HB-B-L2F-18L-50K-UL-WH	23-3/4" L x 14-3/8" W x 2-7/8" H	8.6 lbs.
C-HB-B-L2F-18L-40K-UL-WH		
C-HB-B-L2F-27L-50K-UL-WH	23-3/4" L x 19-3/4" W x 2-7/8" H	10.9 lbs.
C-HB-B-L2F-27L-40K-UL-WH		
C-HB-B-L2F-38L-50K-UL-WH		12.4 lbs.
C-HB-B-L2F-38L-40K-UL-WH		

FIXTURE SPECIFICATIONS

HOUSING	Durable, aluminum housing with integrated junction box allows for easy installation. White polyester powder-coat finish.
LENS ASSEMBLY	Integrated frosted polycarbonate diffuser lens.
MOUNTING	Included v-hook (7") and chain (30"). V-hook and chain set will put the fixture 3' below the mounting surface max. 3 knockouts on the top for 3/4" NPT conduit. One near each edge and one in the center. Pendants supplied by others.

 **CA RESIDENTS WARNING:** Cancer and Reproductive Harm – www.p65warnings.ca.gov

C-HB-B Series

ELECTRICAL PERFORMANCE






OPERATING RANGE	LIFESPAN L ₇₀ AT 25°C (77°F)	POWER FACTOR	TOTAL HARMONIC DISTORTION	DIMMABLE
-40°C (-40°F) to 45°C (118°F)	Estimated >100,000 Hours	> 0.9	< 20%	Yes to 10%

INPUT VOLTAGE	LUMEN PACKAGE	SYSTEM WATTS (120-277V)	120V	208V	240V	277V
CURRENT DRAW (Amps)	7L	62W LED	0.51A	.30A	.26A	.22A
	12L	103W LED	0.86A	.50A	.43A	.37A
	18L	149W LED	1.24A	.72A	.62A	.54A
	27L	219W LED	1.83A	1.05A	.91A	.79A
	38L	324W LED	2.7A	1.56A	1.35A	1.17A

WARRANTY & CERTIFICATIONS

WARRANTY	cULus LISTED	DLC
5-Year Limited*	Damp Locations	Standard

ACCESSORIES

	LOCKING TYPE RECEPTACLE (3 BLADE TWIST-LOCK) SKU: C-ACC-A-RECEP-LV-TL (120V, 3-Wire, NEMA L5-15R) C-ACC-A-RECEP-HV-TL (277V, 3-Wire, NEMA L7 15R) C-ACC-A-RECEP-MV-TL (208V/240V, 3-Wire, NEMA L6 15R)
	6' CORD WITH STRAIGHT BLADE PLUG SKU: C-ACC-A-CRDS-6FT-LV-SB (120V)
	6' CORD WITH TWIST-LOCK PLUG SKU: C-ACC-A-CRDS-6FT-LV-TL (120V) C-ACC-A-CRDS-6FT-HV-TL (277V) C-ACC-A-CRDS-6FT-MV-TL (208V or 240V)
	RECOMMENDED DIMMERS Leviton: IP710-LFZ Leviton: DS710-10Z
	PREMIUM MOTION SENSOR SKU: C-PHB-A-HBPIR

© 2020 Cree Lighting, A company of IDEAL INDUSTRIES. All rights reserved. For informational purposes only. Content is subject to change. Patent www.creelighting.com/patents. C-Lite® and the C-Lite logo are registered trademarks of Cree Lighting. The UL logo is a registered trademark of UL LLC. The DLC QPL logo is a registered trademark of Efficiency Forward, Inc.

US: creelighting.com, e-conolight.com

Distribution/Sales: 855-617-2733 Customer Services: 888-243-9445

Rev. Date: V6 R1 03/30/2020

For informational purposes only. Content is subject to change. *See lighting.cree.com/warranty for details

C-LITE
LED LIGHTING