

IMPORTANT SAFEGUARDS

When using electrical equipment, basic safety precautions should always be followed including the following:

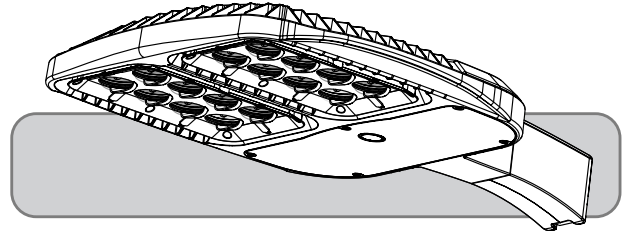
READ AND FOLLOW ALL SAFETY INSTRUCTIONS

- DANGER**- Risk of shock- Disconnect power before installation. **DANGER – Risque de choc – Couper l'alimentation avant l'installation.**
- This luminaire must be installed in accordance with the NEC or your local electrical code. If you are not familiar with these codes and requirements, consult a qualified electrician. *Ce produit doit être installé conformément à NEC ou votre code électrique local. Si vous n'êtes pas familier avec ces codes et ces exigences, veuillez contacter un électricien qualifié.*

SAVE THESE INSTRUCTIONS FOR FUTURE REFERENCE

- Prior to installation, store luminaire in a dry location protected from rain, dust, and outdoor environment. If equipped with a photocell receptacle, remove the protective cover only if immediately replacing with a suitable photocell, shorting cap, or other compatible device. The protective socket cover is not intended to remain in place after installation. Do NOT leave receptacle open to environmental elements. Luminaires with a top-mounted photocell receptacle should not be installed in an up-light position or at a tilt greater than 45 degrees from the down-light position.

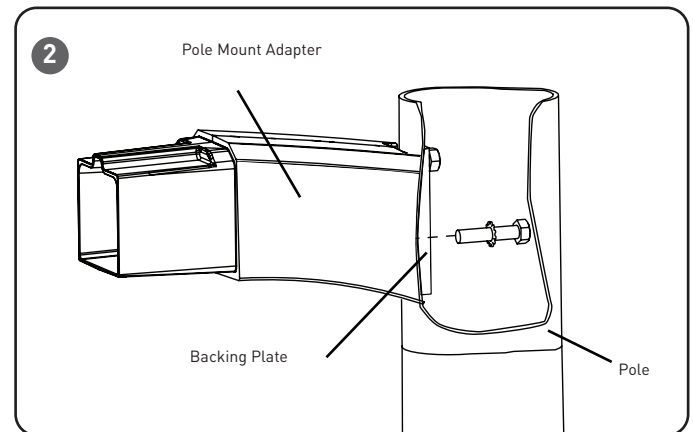
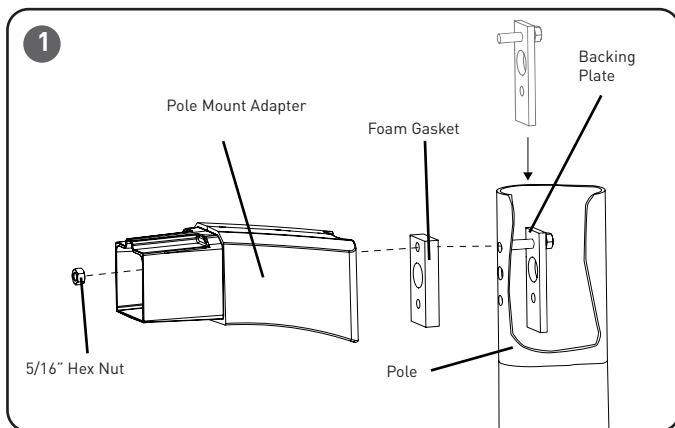
INSTALLATION INSTRUCTIONS INSTRUCTIONS D'INSTALLATION



NOTES:

- DO NOT remove the knock out on the top of the luminaire (See **Figure 3** on page 2). If a NEMA or photocontrol is desired customer must order OSQ luminaire with factory installed NEMA Photocell Receptacle (R option). NEMA photocell receptacle or photo control's are not field installable.
- Use a 1/2" socket with a minimum 9" extension to reach all the way thru the arm to fasten the nut.
- A 3/16" Allen screw driver is needed to tighten the set screws.
- Compatible with 3.0" or larger round or square poles.

TO INSTALL:



DIRECT POLE MOUNT

NOTE: Access to Components Compartment is not necessary for installation. To access the Components Compartment, loosen (5) self-retaining screws on the luminaire Cover Door. See **Figure 4**.

STEP 1:

Verify that there is access from top of the pole.

STEP 2:

Use dimensions on template shown on the back page for drilling if pole is not pre-

drilled. (Template is not to scale.)

STEP 3:

From top of the pole insert Backing Plate with pre-assembled top bolt through the top mounting hole of the pole. See **Figure 1**.

STEP 4:

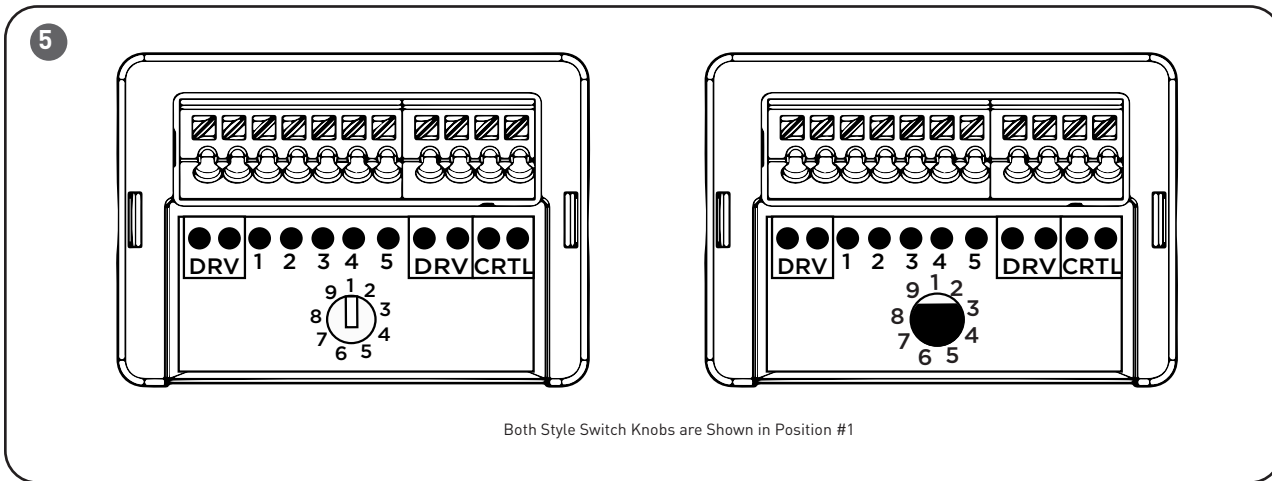
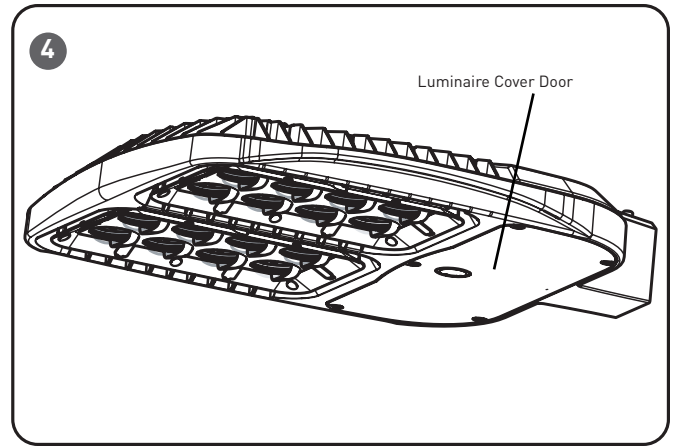
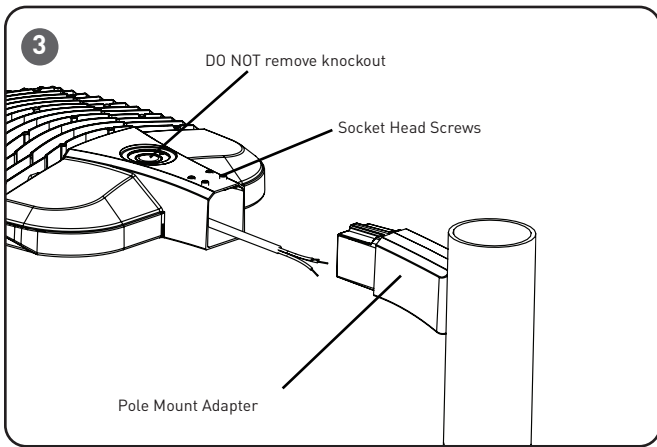
Remove any extra gaskets plugs from the foam gasket and place gasket over bolt extending from pole. See **Figure 1**.

STEP 5:

Place the top hole of the Pole Mount Adapter over the top bolt from the pole and secure from inside the adapter with supplied 5/16" hex nut. See **Figure 1**.

STEP 6:

Install remaining bolt with star washer inside the pole through the bottom hole of the Backing Plate and thread into the Pole Mount Adapter. Torque the 5/16" hex nut and bolt to 300 in-lbs (33 N-m). See **Figure 2**.



STEP 7:

Route the cord coming from the fixture head through the Pole Mount Adaptor and then through the pole. See **Figure 3**.

STEP 8:

Slide the mounting arm of the luminaire over the Pole Mount Adaptor as shown in **Figure 3**.

STEP 9:

Tighten (4) 3/8-16 socket head set screws located on the top of the mounting arm to 85 in-lbs (9.6 N•m). See **Figure 3**.

STEP 10:

See the **Electrical Connections** section for wiring instructions.

NEMA® RECEPTACLE (OPTIONAL)

NOTE: When inserting a control unit into the nema receptacle and rotating control unit to lock in, the engagement force may exceed the rotational force of the receptacle. If this occurs, the receptacle and control unit can be rotated clockwise until the hard rotation stop is reached on the receptacle and locking engagement between the receptacle and control is achieved. Once engaged, the control unit and receptacle can be turned counter clockwise to the desired orientation. Always verify proper installation by pulling up on the control module to confirm that it is locked into the socket.

STEP 1:

Remove protective cap.

STEP 2:

Rotational adjustment of the photocontrol receptacle is tool-less. DO NOT loosen/tighten the screws securing the receptacle to the housing.

STEP 3:

Engage/install photocontrol into photocontrol receptacle on top of luminaire.

STEP 4:

If necessary, rotate photo-control so its photo-eye is aimed in the north direction. Some photo-controls operate best somewhere between north-west and north-east.

FIELD ADJUSTABLE DIMMING - (OPTIONAL)

NOTE: This luminaire may be provided with field adjustable dimming. If so, luminaires leave the factory adjusted to the maximum setting specified when ordered. Visit www.creelighting.com/products for product specification sheets.

STEP 1:

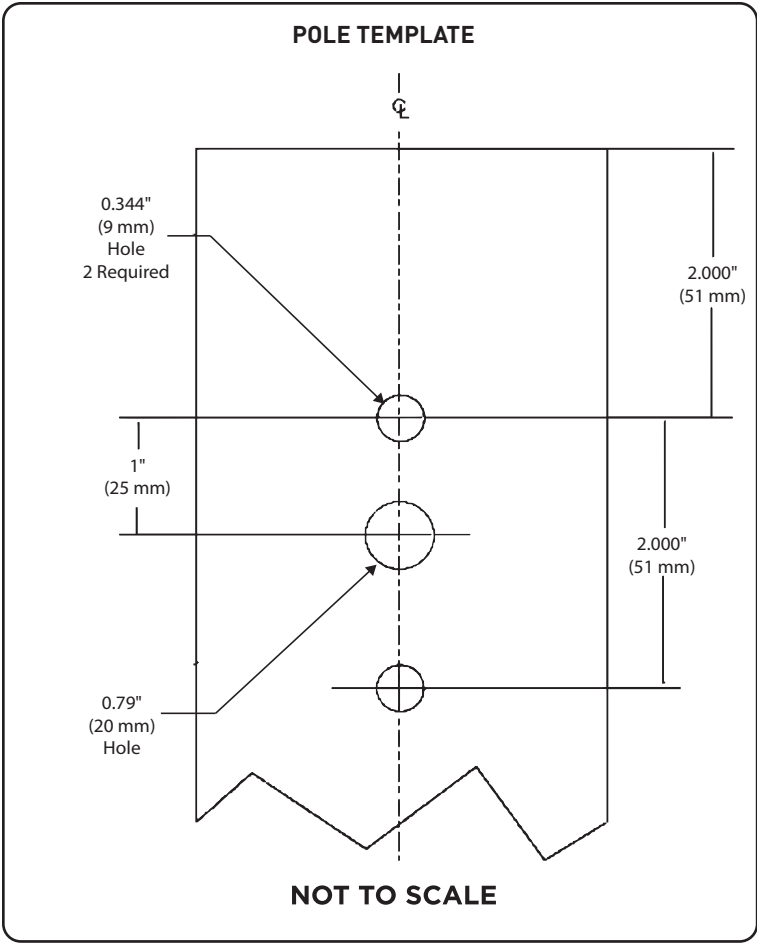
The Dimming module is located inside the luminaire. Open the luminaire door cover by loosening the (5) screws. See **Figure 4**.

STEP 2:

Establish the desired input power multiplier by referring to the product dimming spec sheet and turn the switch to the correlating position

STEP 3:

Adjust the Dimming Module, see **Figure 5**, to the selected position and reinstall the cover ensuring no wires are pinched.



ELECTRICAL CONNECTIONS

STEP 1:

NOTE: For luminaires with PML sensor will have the dimming leads capped off. Keep the dimming leads on these luminaires capped off.

Using Listed 90°C minimum rated wire connectors make the following electrical connections within the adjustable fitter wiring compartment:

- a. For 120/277/347V connect the black fixture lead to the voltage supply or Hot 1 (for 208/240/480V wiring).
- b. For 120/277/347V connect the white fixture lead to the neutral supply or Hot 2 (for 208/240/480V wiring).
- c. Connect the green or green/yellow ground lead to ground.
- d. If Dimming is an option; connect the blue dimming positive fixture lead to the supply dimming positive lead.
- e. If Dimming is an option; connect the white/black dimming negative fixture lead to the supply dimming negative lead.
- f. Connect orange fixture lead to orange supply lead.
- g. Connect red fixture lead to brown supply lead.

