

IMPORTANT SAFEGUARDS

When using electrical equipment, basic safety precautions should always be followed including the following:

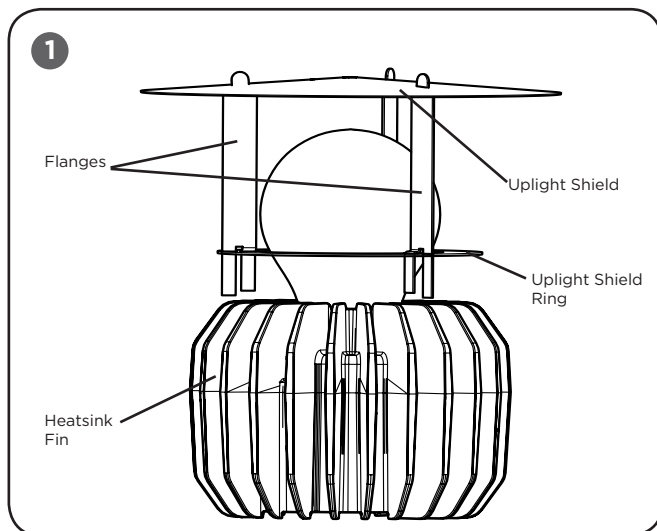
READ AND FOLLOW ALL SAFETY INSTRUCTIONS

- 1. DANGER**- Risk of shock- Disconnect power before installation.
DANGER – Risque de choc – Couper l'alimentation avant l'installation.

SAVE THESE INSTRUCTIONS FOR FUTURE REFERENCE

INSTALLATION INSTRUCTIONS INSTRUCTIONS D'INSTALLATION

TO INSTALL:



STEP 1:

Place the Uplight Shield Ring over the bulb of the luminaire and attach the Uplight Shield to the heatsink's fins by inserting the three flanges on the shield over any (3) fins that are 120° apart. See **Figure 1**.

STEP 2:

Push the Uplight Shield down until the Uplight Shield Ring is flush with the top of the heat sink. See **Figure 2**.

