

## IMPORTANT SAFEGUARDS

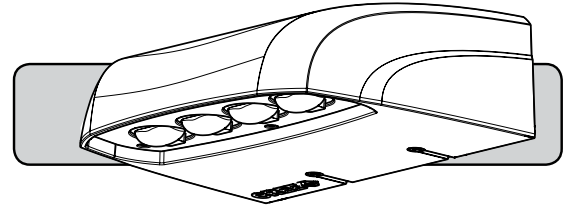
When using electrical equipment, basic safety precautions should always be followed including the following:

## READ AND FOLLOW ALL SAFETY INSTRUCTIONS

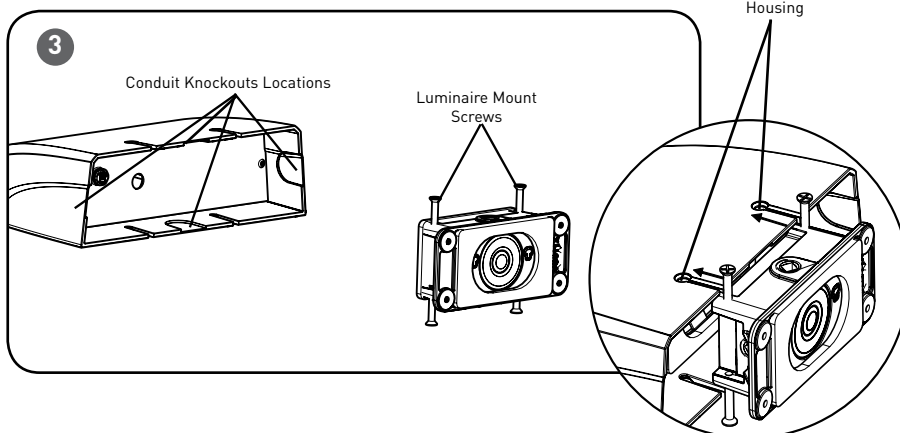
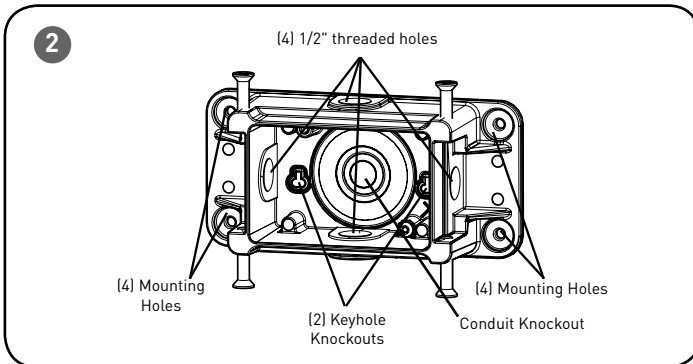
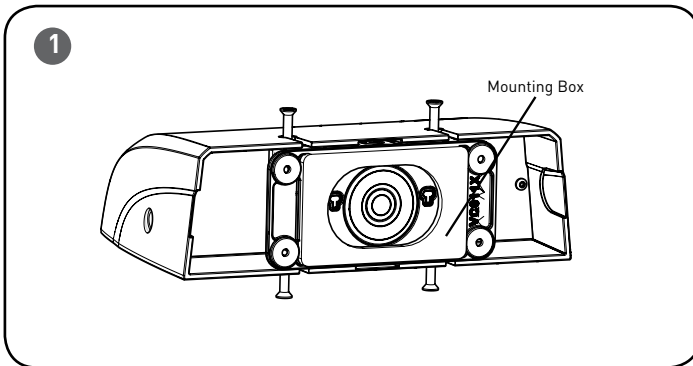
1. To reduce the risk of electrical shock, turn off power supply before installation or servicing.
2. This luminaire must be installed in accordance with the NEC or your local electrical code. If you are not familiar with these codes and requirements, consult a qualified electrician.

## SAVE THESE INSTRUCTIONS FOR FUTURE REFERENCE

## INSTALLATION INSTRUCTIONS INSTRUCTIONS D'INSTALLATION



### TO INSTALL:



### WALL MOUNTING

#### STEP 1:

Remove mounting box from the luminaire. See Figure 1.

#### STEP 2:

**IMPORTANT** – If needed, the [2] Keyhole knockouts located inside box may be removed, but are for alignment only. See **Figure 2**. Luminaire is to be supported by [4] 3/16" mounting holes. The Mounting holes will accommodate a #10 bolt. Select appropriate customer supplied mounting hardware for mounting surface. See **Figure 2 and 4**.

#### STEP 3:

Place mounting box over junction box or conduit. If mounting over junction box a 2-1/2" Inspection knockout hole is included. See **Figure 2 and 4**.

#### STEP 4:

For surface wiring [4] 1/2" threaded holes are available. See **Figure 2 and 4**.

#### STEP 5:

If mounting on a uneven surface, place a minimum of a 1/4" bead of high grade silicone on the black gasket encompassing the Inspection Knockout hole on the back of the mounting box. See **Figure 4**.

#### STEP 6:

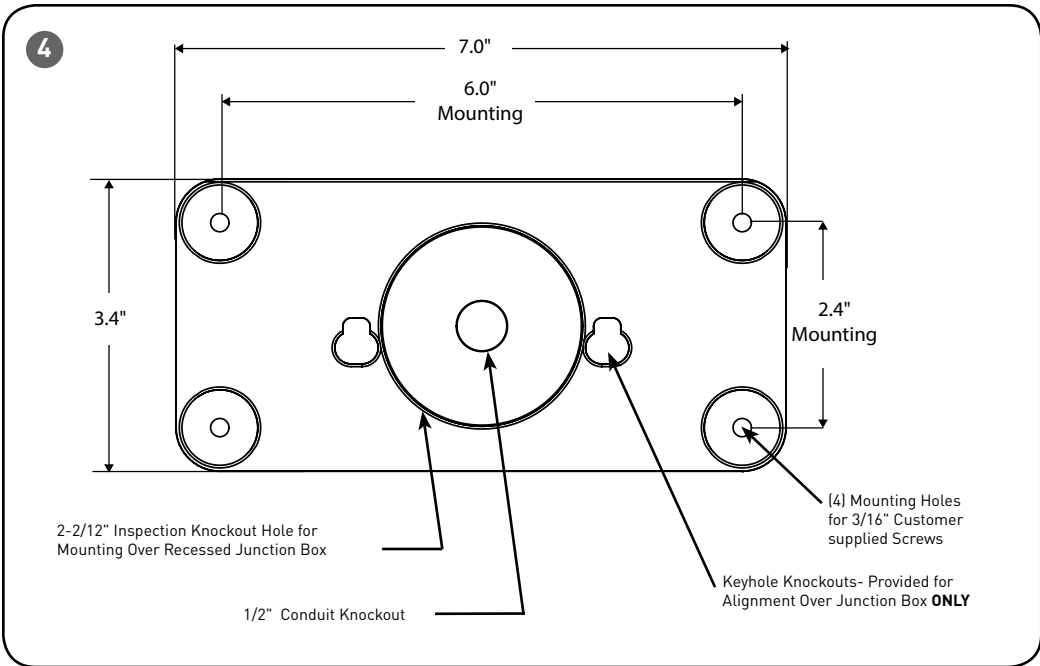
If mounting over surface mounted conduit use the knockout conduit openings located on the top, bottom, or sides of the luminaire. Knockouts can be removed by using a hammer or pliers. See **Figure 3**.

#### STEP 7:

Before securing to wall mounting surface, make sure mounting box is level.

#### STEP 8:

Secure mounting box to wall.



**STEP 9:**  
 Make wiring connections per the **Electrical Connections** section.  
**NOTE:** Once electrical connections have been made, insure that all wires are carefully positioned so that no wires are pinched between the mounting box and the housing gaskets.

**STEP 10:**  
 Place luminaire on mounting box by sliding the luminaire so that the (4) Luminaire Mount Screws on the mounting box are at the end of each slot in the housing. See **Figure 3**.

**STEP 11:**  
 Tighten (4) Phillips screws and verify luminaire is secure.

**ELECTRICAL CONNECTIONS**

**STEP 1:**  
 Make the following Electrical Connections to the terminal block:

- a. For 120/277V connect the black fixture lead to the voltage supply lead (Hot 1 for 208/240V wiring).
- b. For 120/277V connect the white fixture lead to the neutral supply lead. (Hot 2 for 208/240V wiring).
- c. Connect the green or green/yellow ground lead to the green lead.
- d. For Dimming; connect the violet dimming positive lead to the supply dimming positive lead. If dimming is not being used cap off the violet lead.
- e. For Dimming; connect the grey dimming negative lead to the supply dimming negative lead. If dimming is not being used cap off the grey lead.

