

C-CP-A-BRQ Series

Quick Connect LED Canopy Light

Replaces up to 150W PSMH / 175W MH



INSTALL THIS GUY IN A FLASH

Our C-Lite Quick Connect LED Canopy Light delivers up to 7000 lumens of glare-free, uniform light. It features a quick connect bracket for a user-friendly, easy installation. Available in 4000K and 5000K, with a 5-year limited warranty.



PRODUCT SPECIFICATIONS

OVERVIEW

- Initial Delivered Lumens: 4500 (4L) and 7000 (7L)
- CRI: ≥ 70
- CCT: Neutral White (4000K), Cool White (5000K)
- Input Power: 38W LED (4L), 54W LED (7L)
- Dimmable: No
- Operating Temperature Range: -40°F to 104°F (-40°C to 40°C)
- Estimated L_{70} Lifetime @ 25°C: > 50,000 hours
- Power Factor: > 0.9
- Total Harmonic Distortion: < 20%
- Limited Warranty: 5 Year*
- Replaces: 150W PSMH / 175W MH (7L), 100W PSMH (4L)
- For use under covered ceilings only

PERFORMANCE	DURABLE	RECOMMENDED USE	INPUT VOLTAGE
<ul style="list-style-type: none"> • Uses up to 80% less energy than comparable PSMH fixtures • Type VS distribution pattern 	<ul style="list-style-type: none"> • Polyester powder-coat finish provides corrosion protection for long-lasting color • UV-stabilized lens designed to last • Die-cast aluminum housing 	<ul style="list-style-type: none"> • Outdoor Corridor • Perimeter Lighting • Security • Exterior Canopies 	<ul style="list-style-type: none"> • Universal (120V through 277V Operation)

ORDERING INFORMATION

Example: C-CP-A-BRQ-4L-40K-WH

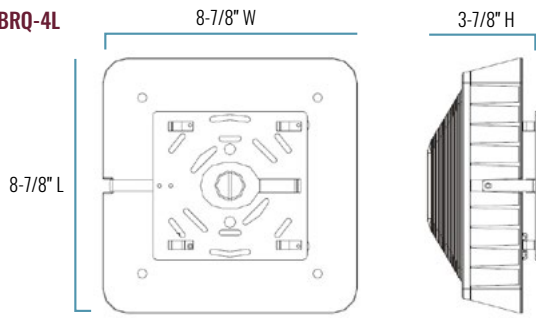
PRODUCT	STYLE	LUMEN PACKAGE	CCT	COLOR
C-CP-A	BRQ Bracket Canopy	4L 4500 Lumens 38W 7L 7000 Lumens 54W	40K Neutral White (4000K) 50K Cool White (5000K)	DB Dark Bronze WH White

CERTIFICATIONS:

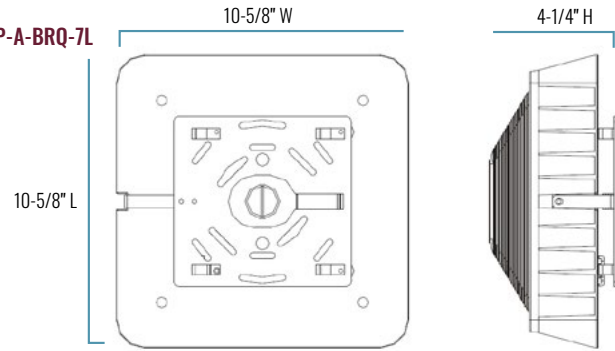


C-CP-A-BRQ Series

C-CP-A-BRQ-4L



C-CP-A-BRQ-7L



SERIES OVERVIEW

DIMENSIONS	PRODUCT WEIGHT	MOUNTING HEIGHT	SPACING
C-CP-A-BRQ-4L: 8-7/8" L x 8-7/8" W x 3-7/8" H	5.73 lbs	8-15 feet	3 to 4 times the mounting height
C-CP-A-BRQ-7L: 10-5/8" L x 10-5/8" W x 4-1/4" H	7.5 lbs	10-20 feet	3 to 4 times the mounting height

FIXTURE SPECIFICATIONS

HOUSING	Die-cast aluminum Dark bronze or white polyester powder-coat finish
LENS ASSEMBLY	UV-stabilized acrylic prismatic refractor with self-retaining screws
MOUNTING	Quick mount bracket directly mounts to a 3-1/2" octagonal, 4" square or 4" octagonal junction box for easy, user-friendly installation.

ELECTRICAL PERFORMANCE

OPERATING TEMPERATURE RANGE	ESTIMATED L ₇₀ LIFETIME @ 25°C (77°F)	POWER FACTOR	TOTAL HARMONIC DISTORTION	DIMMABLE
-40°F to 104°F (-40°C to 40°C)	> 50,000 hours	> 0.9	< 20%	No

LUMEN PACKAGE	SYSTEM WATTS (120-277V)	CURRENT DRAW (AMPS)			
		120V	208V	240V	277V
4L	38W	.32A	.18A	.16A	.14A
7L	54W	.45A	.26A	.23A	.19A

WARRANTY AND CERTIFICATIONS

WARRANTY	cULus LISTED	DLC
5 Year Limited*	Wet Locations (Exposure to high pressure water is not recommended)	Standard

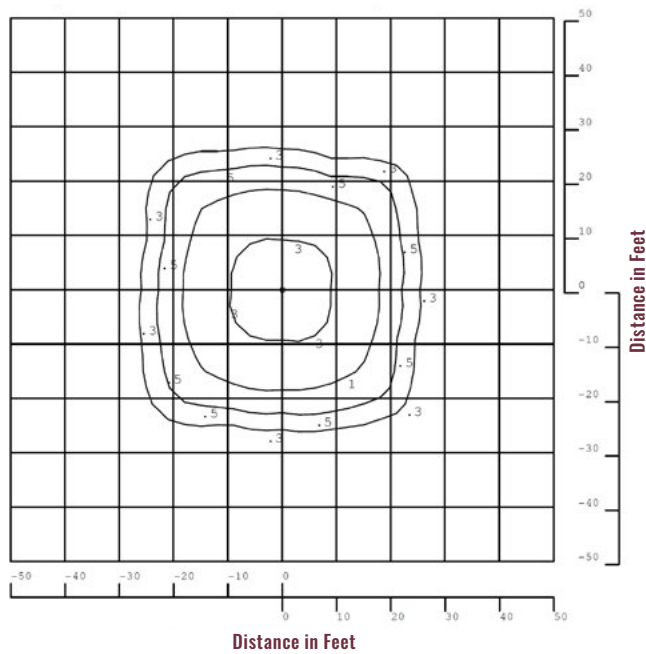


CA RESIDENTS WARNING: Cancer and Reproductive Harm – www.p65warnings.ca.gov

C-CP-A-BRQ Series

C-CP-A-BRQ-4L-50K

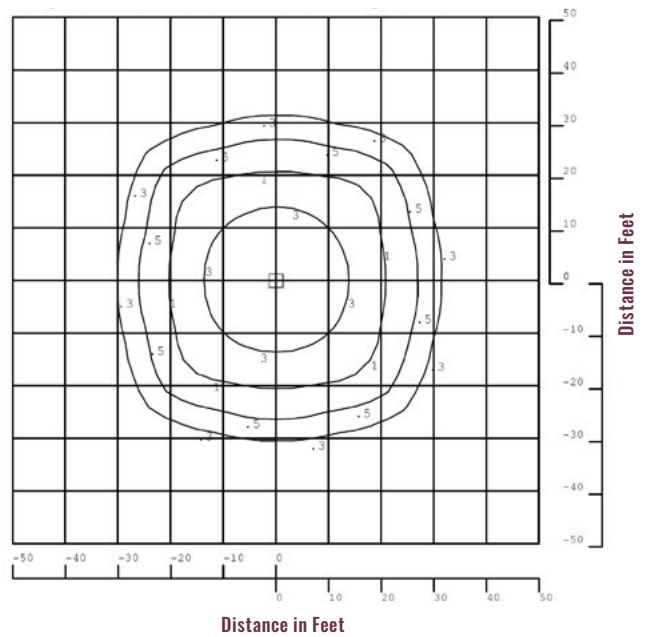
Mounted at 15' AFG
IES Classification Type VS
Longitudinal Classification Very Short



Note: All published photometric testing performed to IES LM-79-08 standards. Fixture photometry was completed on a single representative fixture. Foot candle levels are noted inside graph.

C-CP-A-BRQ-7L-50K

Mounted at 15' AFG
IES Classification Type VS
Longitudinal Classification Very Short



Note: All published photometric testing performed to IES LM-79-08 standards. Fixture photometry was completed on a single representative fixture. Foot candle levels are noted inside graph.