

Wireless Dimmer

Dimmer with SmartCast® Technology

Product Description

The Cree™ Wireless Dimmer with Cree SmartCast® Technology provides manual control of Cree luminaires with SmartCast® Technology, enabling simple OneButton™ Setup of dimmers and luminaires. Cree Wireless Dimmers can be easily added to new or existing switch locations and can control luminaires using wireless communication. Cree SmartCast® Technology, Cree's intelligent light solution, provides extreme energy productivity and code compliance - all with installation that's so intuitive and simple, it just works.

Performance Summary

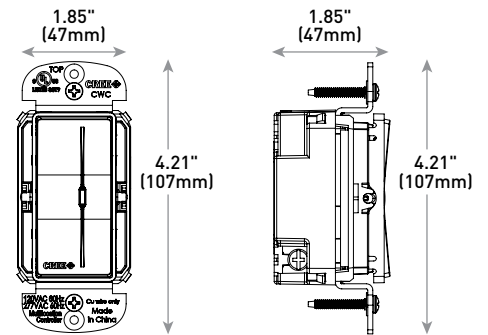
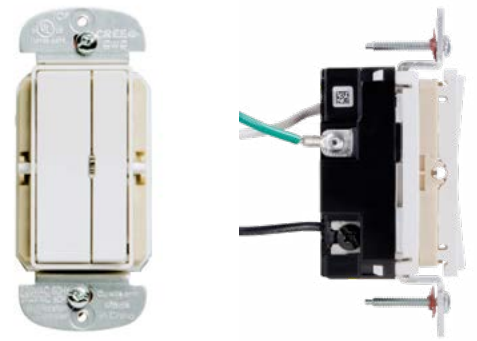
Cree SmartCast® Technology enabled

Intuitive aesthetic

Input Voltage: 120-277V

Limited Warranty: 5 years

*See <http://lighting.cree.com/warranty> for warranty terms



Accessories

Field-Installed	
Cree SmartCast® Technology Face Plates	CFP-3-WH
CFP-1-WH	- Matching Cree face plate, 3-gang, white
- Matching Cree face plate, 1-gang, white	
CFP-2-WH	
- Matching Cree face plate, 2-gang, white	

Ordering Information

Example: CWD-CWC-WH

Product (Wireless Wall Control)	Control	Color
CWD Cree Wireless Dimmer	CWC Cree SmartCast® Technology	WH White
CWS Cree Wireless Switch		

Rev. Date: V3 02/22/2019



Product Specifications

CREE SMARTCAST® TECHNOLOGY

Cree SmartCast® Technology is the most intuitive and easiest to install intelligent light solution on the market. SmartCast Technology delivers up to 70% energy savings at up to half the cost of other solutions. Luminaires combine best-in-class light with onboard sensors and intelligence to deliver a better light experience. Extreme energy productivity, code compliance and a better light experience without any extra design, installation or setup work.

MECHANICAL SYSTEM

- Fits into standard wallbox (deep wallbox recommended)
- Fits faceplates with standard decorator-style opening
 - Not for use with metallic faceplates
- Easy-to-use aesthetic with independent on/off and raise/lower

ELECTRICAL SYSTEM

- **Input Voltage:** 120-277V, 60Hz
- **Input Power:** 0.7W at 120V, 1W at 277V
- 10-year power fail memory settings
- Requires neutral wire connection

INTEGRAL WIRELESS COMMUNICATION

- 2.4GHz wireless mesh technology with AES 128-bit encryption
- Self assigns to quietest channel during OneButton™ Setup
- **Range:**
 - 30 ft. (9.1m) in typical commercial applications
 - 300 ft. (91.4m) open air without obstructions
- **Network:** 250 devices max.
- **Space:** 100 devices max. per group
- Wall control is disabled until OneButton™ Setup is initiated by the Cree™ Configuration Tool

REGULATORY & VOLUNTARY QUALIFICATIONS

- cULus Listed
- Suitable for damp locations
- FCC certified
- IC Certified
- **CA RESIDENTS WARNING:** Cancer and Reproductive Harm – www.p65warnings.ca.gov

WIRING DIAGRAM

