

C-LB-A-RDAC Series

LED Low Bay - Prismatic Reflector

Replaces 150W PSMH/175W MH



REPLACE TRADITIONAL 150W PSMH LOW BAYS



PRODUCT SPECIFICATIONS

OVERVIEW

- Initial Delivered Lumens: 8,000
- CRI: ≥ 70
- CCT: Neutral White 4000K, Cool White 5000K
- Mounting: Hook and cord or pendant
- Input Power: 59 Watts
- Dimmable: No
- Operating Minimum: -30°C (22°F)
- Lifespan: Estimated 100,000 Hours
- Power Factor: > 0.9
- Total Harmonic Distortion: $< 20\%$
- Limited Warranty: 5 Years*
- Replaces 150W PSMH/175W MH

EFFICIENT	EASY INSTALL	RECOMMENDED USE	INPUT VOLTAGE
<ul style="list-style-type: none"> • Up to 60% energy savings compared to 150W PSMH • Heat dissipating fins keep LEDs running cooler, longer 	<ul style="list-style-type: none"> • Familiar form factor for seamless install • Multiple mounting options available to meet your needs 	<ul style="list-style-type: none"> • Warehouses & Storage • Retail • Light Industrial 	<ul style="list-style-type: none"> • Universal (120V through 277V Operation)

ORDERING INFORMATION

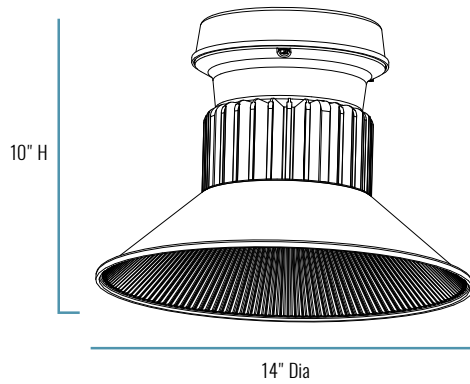
Example: C-LB-A-RDAC-8L-40K-WH

C-LB-A	RDAC	8L		WH
PRODUCT	REFLECTOR	LUMEN PACKAGE	CCT	COLOR
C-LB-A	RDAC Prismatic	8L 8,000 Lumens 59W	40K Neutral White (4000K) 50K Cool White (5000K)	WH White

CERTIFICATIONS:



C-LB-A-RDAC Series



Note: Prismatic reflectors not intended for use in environments where any concentrations of industrial cutting fluids are used.

SERIES OVERVIEW

DIMENSIONS	PRODUCT WEIGHT	MOUNTING HEIGHT	SPACING
10" H x 14" Dia Mounting Surface: 6-1/2" Dia	6.38 lbs.	12 to 20 feet	N/A

FIXTURE SPECIFICATIONS

HOUSING	Durable aluminum extruded heat sink & die-cast housing White polyester powder-coat finish
LENS ASSEMBLY	14" clear acrylic reflector with glass optics/lens
MOUNTING	Pendant mount using 1/2" threaded conduit entry on top or with 1/2" hook and cord accessory kit

ELECTRICAL PERFORMANCE

OPERATING MINIMUM	LIFESPAN L ₇₀ AT 25°C (77°F)	POWER FACTOR	TOTAL HARMONIC DISTORTION	DIMMABLE
-30°C (-22°F)	Estimated 100,000 Hours	> 0.9	< 20%	No
INPUT VOLTAGE	120V	208V	240V	277V
CURRENT DRAW (Amps)	0.49A	0.28A	0.25A	0.21A

WARRANTY AND CERTIFICATIONS

WARRANTY	UL LISTED	DLC
5 Year Limited*	Damp Locations	DLC Premium Qualified

 **CA RESIDENTS WARNING:** Cancer and Reproductive Harm –
www.p65warnings.ca.gov

US: c-lite.com T (800) 236-6800 F (262) 504-5415

Canada: www.cree.com/canada T (800) 473-1234 F (800) 890-7507




Rev. Date: V2 10/12/2018

For informational purposes only. Content is subject to change. *See lighting.cree.com/warranty for details

C-LITE
LED LIGHTING BY CREE

C-LB-A-RDAC Series

ACCESSORIES (available with fixture purchase only)

	<p>6' CORD WITH STRAIGHT BLADE PLUG & 1/2" HOOK</p> <p>SKU: C-ACC-A-HKCRD-6FT-LV-SB (120V)</p>
	<p>6' CORD WITH TWIST-LOCK PLUG & 1/2" HOOK</p> <p>SKU: C-ACC-A-HKCRD-6FT-LV-TL (120V) C-ACC-A-HKCRD-6FT-HV-TL (277V) C-ACC-A-HKCRD-6FT-MV-TL (208V or 240V)</p>
	<p>LOCKING TYPE RECEPTACLE (3 BLADE TWIST-LOCK)</p> <p>SKU: C-ACC-A-RECEP-LV-TL (120V, 3-Wire, NEMA L5-15R) C-ACC-A-RECEP-HV-TL (277V, 3-Wire, NEMA L7-15R) C-ACC-A-RECEP-MV-TL (208V/240V, 3-Wire, NEMA L6-15R)</p>

© 2018 Cree, Inc. and/or one of its subsidiaries. All rights reserved. For informational purposes only. Content is subject to change. Patent www.cree.com/patents. C-LITE™ and the C-LITE logo are trademarks of Cree, Inc. The UL logo is a registered trademark of UL LLC. The DLC Premium QPL logo is a registered trademark of Efficiency Forward, Inc.

US: c-lite.com T (800) 236-6800 F (262) 504-5415

Canada: www.cree.com/canada T (800) 473-1234 F (800) 890-7507

Rev. Date: V2 10/12/2018

For informational purposes only. Content is subject to change. *See lighting.cree.com/warranty for details

C-LITE
LED LIGHTING BY CREE