

IMPORTANT SAFEGUARDS

When using electrical equipment, basic safety precautions should always be followed including the following:

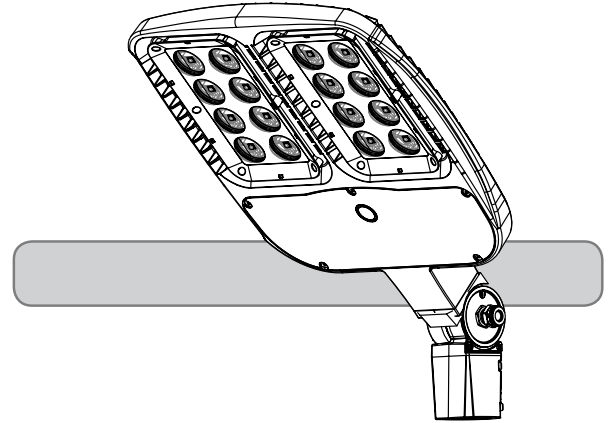
READ AND FOLLOW ALL SAFETY INSTRUCTIONS

- DANGER**- Risk of shock- Disconnect power before installation.
DANGER – *Risque de choc – Couper l'alimentation avant l'installation.*
- This luminaire must be installed in accordance with the NEC or your local electrical code. If you are not familiar with these codes and requirements, consult a qualified electrician.
Ce produit doit être installé conformément à NEC ou votre code électrique local. Si vous n'êtes pas familier avec ces codes et ces exigences, veuillez contacter un électricien qualifié.

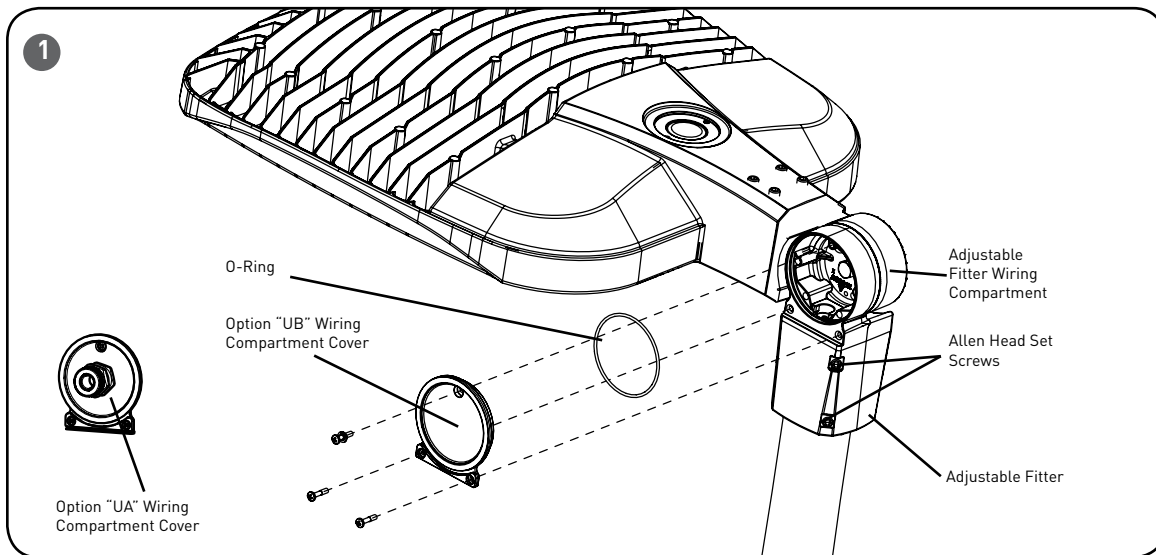
SAVE THESE INSTRUCTIONS FOR FUTURE REFERENCE

- Prior to installation, store luminaire in a dry location protected from rain, dust, and outdoor environment. If equipped with a photocell receptacle, remove the protective cover only if immediately replacing with a suitable photocell, shorting cap, or other compatible device. The protective socket cover is not intended to remain in place after installation. Do NOT leave receptacle open to environmental elements. Luminaires with a top-mounted photocell receptacle should not be installed in an up-light position or at a tilt greater than 45 degrees from the down-light position.

INSTALLATION INSTRUCTIONS INSTRUCTIONS D'INSTALLATION



TO INSTALL:



ADJUSTABLE ARM MOUNT INSTALLATION STEP 1:

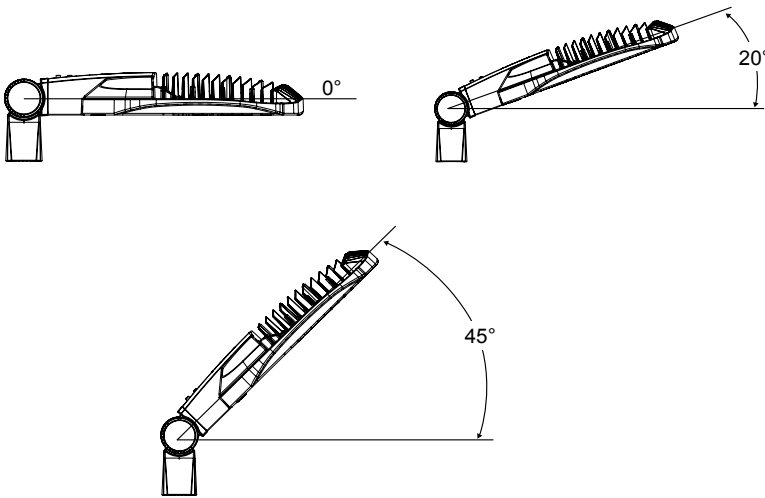
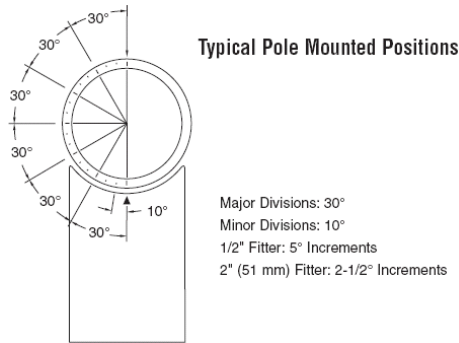
Slip adjustable fitter over 2-3/8" (60 mm) O.D. heavy wall pipe or tenon and securely tighten two Allen head set screws with 3/16" Allen wrench to 18 ft. lbs. (24 N•m). See **Figure 1**.

STEP 2:

Make wire connections per **Electrical Connections** section on the back page.

2

1/2" and 2" (51mm) Adjustable Fitter Positions



FIXTURE AIMING

STEP 1:

Remove the wiring compartment cover from the adjustable fitter and set cover aside to reinstall later. See **Figure 1**.

STEP 2:

Loosen 3/8" bolt in fitter wiring compartment.

STEP 3:

Adjust fixture to desired aiming angle, max 45 degree. The fixture may be aimed at 2-1/2° increments. Markings are located on outside of fitter for ease of aiming. See **Figure 2**.

STEP 4:

Tighten 3/8" bolt in fitter wiring compartment to 19 ft. lbs. [25 N•m].

STEP 5:

Replace the adjustable fitter wiring compartment cover that was removed in Step 1 and secure with (3) self retaining screws to 23 in. lbs [2.6 N•m]. Make sure not to pinch the O-ring or wires. See **Figure 1**.

NEMA® RECEPTACLE (OPTIONAL)

NOTE: When inserting a control unit into the nema receptacle and rotating control unit to lock in, the engagement force may exceed the rotational force of the receptacle. If this occurs, the receptacle and control unit can be rotated clockwise until the hard rotation stop is reached on the receptacle and locking engagement between the receptacle and control is achieved. Once engaged, the control unit and receptacle can be turned counter clockwise to the desired orientation. Always verify proper installation by pulling up on the control module to confirm that it is locked into the socket.

STEP 1:

Remove protective cap.

STEP 2:

Rotational adjustment of the photocontrol receptacle is tool-less. DO NOT loosen/tighten the screws securing the receptacle to the housing.

STEP 3:

Engage/install photocontrol into photocontrol receptacle on to of luminaire.

STEP 4:

If necessary, rotate photo-control so its photo-eye is aimed in the north direction. Some photo-controls operate best somewhere between north-west and north-east.

ELECTRICAL CONNECTIONS

STEP 1:

Using Listed 90°C minimum rated wire connectors make the following electrical connections within the pole:

- For 120/277/347V connect the black fixture lead to the voltage supply or Hot 1 (for 208/240/480V wiring).
- For 120/277/347V connect the white fixture lead to the neutral supply or Hot 2 (for 208/240/480V wiring).
- Connect the green or green/yellow ground lead to ground.
- If Dimming is an option; connect the violet dimming positive lead to the supply dimming positive lead.
- If Dimming is an option; connect the grey dimming negative lead to the supply dimming negative lead.

