

C-CP-A-SQ-49L Series

LED Square Canopy Light

Replaces 100W PSMH



EXTREMELY DURABLE DESIGN WITH AN EFFICACY UP TO 115 LUMENS PER WATT!



PRODUCT SPECIFICATIONS

OVERVIEW

- Initial Delivered Lumens: 4,900
- CRI: ≥ 70
- CCT: Neutral White 4000K, Cool White 5000K
- Input Power: 44 Watts
- Dimmable: No
- Operating Minimum: -40°C (-40°F)
- Lifespan: Estimated $>100,000$ Hours
- Power Factor: > 0.9
- Total Harmonic Distortion: $< 20\%$
- Limited Warranty: 5 Years*
- Replaces 100W PSMH

PERFORMANCE	DURABLE	RECOMMENDED USE	INPUT VOLTAGE
<ul style="list-style-type: none"> • Uses 66% less energy than comparable PSMH fixtures • Delivers nearly 25% more light than comparable PSMH fixtures • Type VS distribution pattern 	<ul style="list-style-type: none"> • Polyester powder-coat finish provides corrosion protection for long-lasting color • UV-stabilized lens designed to last 	<ul style="list-style-type: none"> • Security • Entryways • Perimeter Lighting • Exterior canopies 	<ul style="list-style-type: none"> • Universal (120V through 277V Operation)

ORDERING INFORMATION

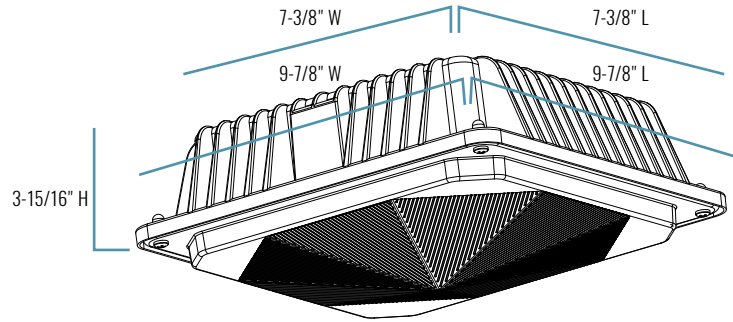
Example: C-CP-A-SQ-49L-40K-WH

PRODUCT	STYLE	LUMEN PACKAGE	CCT	COLOR
C-CP-A	SQ Square Canopy	49L 4,900 Lumens 44W	40K Neutral White (4000K) 50K Cool White (5000K)	DB Dark Bronze WH White

CERTIFICATIONS:



C-CP-A-SQ-49L Series



SERIES OVERVIEW

DIMENSIONS	PRODUCT WEIGHT	MOUNTING HEIGHT	SPACING
7-3/8" L x 7-3/8" W x 3-15/16" H 9-7/8" L x 9-7/8" W (Outer Edge)	5.0 lbs.	8 to 15 feet	1 to 2 times the mounting height

FIXTURE SPECIFICATIONS

HOUSING	Low-copper, die-cast aluminum housing Dark bronze or white polyester powder-coat finish
LENS ASSEMBLY	UV-stabilized acrylic prismatic refractor with self-retaining screws
MOUNTING	3/4" conduit entry on top for pendant mounting 1/2" conduit entries on two sides

ELECTRICAL PERFORMANCE

OPERATING MINIMUM	LIFESPAN L ₇₀ AT 25°C (77°F)	POWER FACTOR	TOTAL HARMONIC DISTORTION	DIMMABLE
-40°C (-40°F)	Estimated >100,000 Hours	> 0.9	< 20%	No
INPUT VOLTAGE	120V	208V	240V	277V
CURRENT DRAW (Amps)	0.37A	0.22A	0.18A	0.16A

WARRANTY AND CERTIFICATIONS

WARRANTY	UL LISTED	DLC
5 Year Limited*	Wet Locations - covered ceiling mount only. Not intended for use with direct exposure to high-pressure water	DLC Qualified

CA RESIDENTS WARNING: Cancer and Reproductive Harm –
www.p65warnings.ca.gov

© 2018 Cree, Inc. and/or one of its subsidiaries. All rights reserved. For informational purposes only. Content is subject to change. Patent www.cree.com/patents. C-LITE™ and the C-LITE logo are trademarks of Cree, Inc. The UL logo is a registered trademark of UL LLC. The DLC QPL logo is a registered trademark of Efficiency Forward, Inc

US: c-lite.com T (800) 236-6800 F (262) 504-5415

Canada: www.cree.com/canada T (800) 473-1234 F (800) 890-7507

Rev. Date: V4 10/11/2018

For informational purposes only. Content is subject to change. *See lighting.cree.com/warranty for details

C-LITE
LED LIGHTING BY CREE