

B11 Decorative Candelabra Series

Cree Professional Series LED Lamps

Product Description

At Cree®, we believe in better lighting. Better light is beautiful light. But it's more than just beautiful. It is light that makes you feel more productive, more relaxed and safer. Better light changes everything. That's why the new and improved 90+ CRI Cree Professional Series LED bulbs feature high color rendering that enhances your space and makes the colors of your decor appear vibrant, richer and more natural – true colors the way they are meant to be experienced.

The Cree® Professional Series LED B11 Decorative Candelabra bulbs deliver up to 515 lumens of 2700K or 5000K light while consuming at least 84% less energy than the incandescent bulbs they replace. These Glass filament LED candles feature a consistent and balanced light source, turn on instantly, and are compatible with most standard incandescent dimmers. The Cree® LED B11 Series bulbs are ENERGY STAR® certified and are designed to last 15,000 hours.

Performance Summary

Lamp Delivered Light Output: 220-515 lumens

Input Power: 25W Replacement: 2.6 watts; 40W Replacement: 4 watts; 60W Replacement: 5.3 watts

CRI: >90

CCT: 2700K, 5000K

Limited Warranty*: 5 years Commercial use

Lifetime: Designed to last at least 15,000 hours

Dimming: Dimmable to 10% with select dimmers

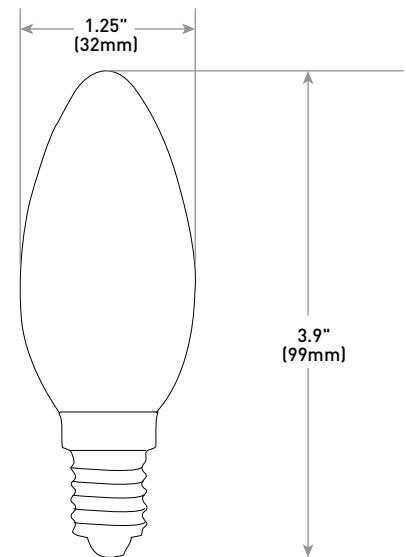
ENERGY STAR® Certified, CEC California Title 20 Compliant

Can be ordered in Single Lamp Cartons (Master Carton Quantity = 24)

* See <http://lighting.cree.com/warranty> for warranty terms

25W

40W & 60W



Ordering Information

Example: B11-40W-P1-27K-E12-U1

B11		P1	27K		E12		U1
Product	Watt Equivalent	Series	CCT	Voltage	Base	CRI	Packaging
B11	25W 25 Watt, 220 lumens 40W 40 Watt, 300 lumens 60W 60 Watt, 515 lumens	P1 Professional Series 1 st Generation	27K 2700K 50K 5000K	Blank 120 Volt	E12 E12 (candelabra base)	Blank >90	U1 Single-Lamp Carton Master Carton = 24 Single Lamp Cartons

Rev. Date: V1 10/04/2018



B11 Decorative Candelabra Pro Series LED Lamps

Product Specifications

CONSTRUCTION & MATERIALS

- B11-type bulb design weighs 0.54 ounces (15g)
- Bulb meets ANSI standards for B11 dimensions
- Uses a standard E12 candelabra base
- Mercury free
- **Dimensions:** 2.1" H x 2" W x 4.1" D (Single Lamp Carton); 4.9" H x 13.2" W x 5.3" D (Master Carton)

OPTICAL SYSTEM

- Glass B11 offers decorative optical spread

ELECTRICAL SYSTEM

- **Power Factor:** > 0.9 nominal
- **Input Voltage:** 120V, 60Hz
- **Dimming:** Dimmable to 10% with select dimmers. Visit lighting.cree.com/dimming
- **Operating Temperature Range:** -10°C - + 45°C (14°F - +113°F)

REGULATORY & VOLUNTARY QUALIFICATIONS

- cULus Listed
- Suitable for damp locations, but not for use where exposed directly to weather or water
- 25W and 40W only are suitable for use in enclosed light fixtures.
- Meets FCC Part 15, Subpart B, Class B standards for conducted and radiated emissions
- ENERGY STAR® certified. Please refer to <http://www.energystar.gov/productfinder/product/certified-light-bulbs/> results for most current information
 B11-25W-P1-27K-E12-U1
 B11-25W-P1-50K-E12-U1
 B11-40W-P1-27K-E12-U1
 B11-40W-P1-50K-E12-U1
 B11-60W-P1-27K-E12-U1
 B11-60W-P1-50K-E12-U1
- RoHS compliant. Consult factory for additional details
- CEC California Title 20 JA-8 Certified
- **CA RESIDENTS WARNING:** Cancer and Reproductive Harm – www.p65warnings.ca.gov

Packaging

Master Carton = 24 Single Lamp Cartons



Ordering Number	Single-Lamp Carton UPC	Description	Bulb Type	Watts	CCT	Single-Lamp Cartons per Master Carton	Master Carton ITF-14	Total Lamps per Master Carton	Master Cartons per Pallet Qty	CRI	Lumens	Rated Life (Hrs)
B11-25W-P1-27K-E12-U1	849665023326	25W Soft White E12 Equivalent	B11 Deco	2.6	2700K	24	10849665023323	24	176	>90	220	15,000
B11-25W-P1-50K-E12-U1	849665023333	25W Daylight E12 Equivalent	B11 Deco	2.6	5000K	24	10849665023330	24	176	>90	220	15,000
B11-40W-P1-27K-E12-U1	849665023340	40W Soft White E12 Equivalent	B11 Deco	4.0	2700K	24	10849665023347	24	176	>90	350	15,000
B11-40W-P1-50K-E12-U1	849665023357	40W Daylight E12 Equivalent	B11 Deco	4.0	5000K	24	10849665023354	24	176	>90	350	15,000
B11-60W-P1-27K-E12-U1	849665023364	60W Soft White E12 Equivalent	B11 Deco	5.3	2700K	24	10849665023361	24	176	>90	515	15,000
B11-60W-P1-50K-E12-U1	849665023371	60W Daylight E12 Equivalent	B11 Deco	5.3	5000K	24	10849665023378	24	176	>90	515	15,000