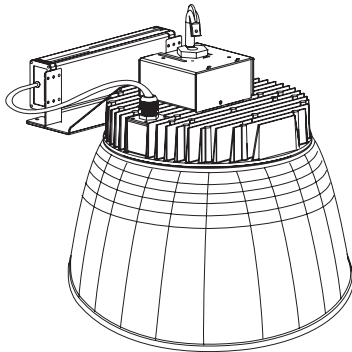


INSTALLATION INSTRUCTIONS C-HB-A-RDAL AND C-HB-A-RDPC Series

Document:	LPN00481X0001A0_A	Date:	03-22-2017
Created By:	TMT		



HOOK, CORD, AND PLUG MOUNTING

- Once the basic unit is assembled, thread the supplied hook into the stamped plate on top of the slide splice box and tighten the hook.
- Remove the slide splice box cover panel on the end of slide splice box facing away from driver by removing the Phillips head screw.
- Insert cord into the slide splice box through the hole in the center of the hook. Pull approximately 12" (305 mm) of cord through the hole into the box and tie a single knot in the cord to act as a strain relief.
NOTE: The knot should be approximately 2" (51 mm) from the end of the cord insulation (not the individual wire insulation).
- Make wiring connections per the **Electrical Connections** section.
- Carefully push all splices and knotted cord into slide splice box. Replace the slide splice cover panel removed in Step 2, being careful not to pinch any leads.
- Loosen screw on hook to allow hook to engage eye bolt (supplied by others) attached to mounting surface. Tighten screw on hook to prevent hook from coming off of eye bolt.
- If fixture does not hang level, loosen two screws on top of slide splice box and move hook to allow fixture to hang level. Retighten screws.
- Insert plug into matching receptacle and turn power on.

ELECTRICAL CONNECTIONS

NOTE: Product is not intended to be dimmed. Violet and grey leads should not be accessed by installer

Fixture is equipped with universal volt driver 120-277V
(ie. 120V, 208V, 240V or 277V)

PHASE TO NEUTRAL WIRING 120/277V

- Connect supply ground to fixture ground (green) lead.
- Connect supply common to fixture neutral (white) lead.
- Connect supply Vin to fixture hot (black) lead.

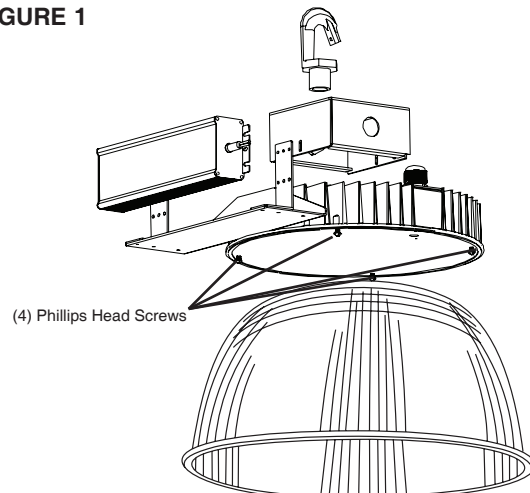
Tuck all wires carefully into wiring chamber ensuring that no wires are pinched.

PHASE TO PHASE WIRING 208/240V

- Connect supply ground to fixture ground (green) lead.
- Connect supply L1 (Hot) to fixture neutral (white) lead.
- Connect supply L2 (Hot) to fixture hot (black) lead.

Tuck all wires carefully into wiring chamber ensuring that no wires are pinched.

FIGURE 1



(4) Phillips Head Screws

CAUTIONS

IMPORTANT SAFEGUARDS

When using electrical equipment, basic safety precautions should always be followed including the following:

READ AND FOLLOW ALL SAFETY INSTRUCTIONS

- DANGER**- Risk of shock- Disconnect power before installation.
DANGER – *Risque de choc – Couper l'alimentation avant l'installation.*
- This luminaire must be installed in accordance with the NEC or your local electrical code. If you are not familiar with these codes and requirements, consult a qualified electrician.
Ce produit doit être installé conformément à NEC ou votre code électrique local. Si vous n'êtes pas familier avec ces codes et ces exigences, veuillez contacter un électricien qualifié.
- This fixture is for indoor use and should not be used in areas of limited ventilation or high ambient temperature.
Ce luminaire est conçu pour être utilisé à l'intérieur des bâtiments. Ne pas installer dans les endroits à ventilation réduite ou ayant une température ambiante élevée.
- Suitable for dry and damp location.
Convient aux emplacements secs et humides.

SAVE THESE INSTRUCTIONS FOR FUTURE REFERENCE

BASIC UNIT ASSEMBLY

- Loosen (4) Phillips head screws on base of heat sink. Do Not remove screws. See Figure 1.
- Align keyhole slots in reflector with (4) loosened screws. Pass screw heads through keyholes and rotate reflector clockwise to engage screws in slots.
- Tighten screws.
- Remove profex covering from LED board. **DO NOT touch LEDs.**

INSTALLATION INSTRUCTIONS

C-HB-A-RDAL AND C-HB-A-RDPC Series

Document:	LPN00481X0001A0_A	Date:	03-22-2017
Created By:	TMT		

FCC NOTICE Class A

CAUTION: Changes or modifications not expressly approved could void your authority to use this equipment.

This device complies with part 15 of the FCC Rules. Operation is subject to the following two conditions: (1) This device may not cause harmful interference, and (2) this device must accept any interference received, including interference that may cause undesired operation.

This equipment has been tested and found to comply with the limits for a Class A digital device, pursuant to part 15 of the FCC Rules. These limits are designed to provide reasonable protection against harmful interference when the equipment is operated in a commercial environment. This equipment generates, uses, and can radiate radio frequency energy and, if not installed and used in accordance with the instruction manual, may cause harmful interference to radio communications. Operation of this equipment in a residential area is likely to cause harmful interference in which case the user will be required to correct the interference at his own expense.
CAN ICES-003 (A)/NMB-003 (A)