

### IMPORTANT SAFEGUARDS

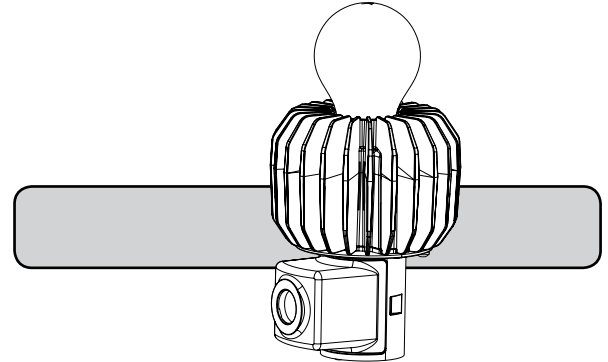
When using electrical equipment, basic safety precautions should always be followed including the following:

### READ AND FOLLOW ALL SAFETY INSTRUCTIONS

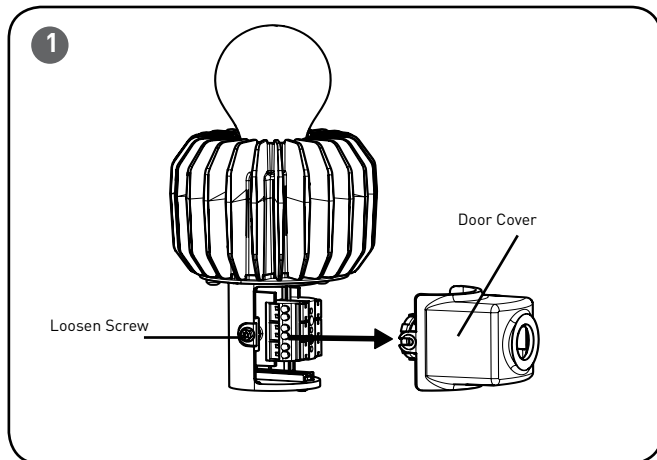
- 1. DANGER-** Risk of shock- Disconnect power before installation. **DANGER – Risque de choc – Couper l'alimentation avant l'installation.**
- This luminaire must be installed in accordance with the NEC or your local electrical code. If you are not familiar with these codes and requirements, consult a qualified electrician. *Ce produit doit être installé conformément à NEC ou votre code électrique local. Si vous n'êtes pas familier avec ces codes et ces exigences, veuillez contacter un électricien qualifié.*

### SAVE THESE INSTRUCTIONS FOR FUTURE REFERENCE

### INSTALLATION INSTRUCTIONS INSTRUCTIONS D'INSTALLATION



#### TO INSTALL:



**NOTE:** Be sure to disconnect HID ballast before installation of the DPT.

#### STEP 1:

Remove door cover shown in **Figure 1** by loosening screw located on the side, and gently pulling cover off. See **Figure 1**.

#### STEP 2:

Attach DPT luminaire to mounting base by inserting (2) supplied #6 5/8" long screws into customer supplied bracket and screwing into the base of DPT luminaire. See **Figure 2**.

#### STEP 3:

Feed power supply wires using customer supplied flexible conduit through opening in door cover. See **Figure 2**.

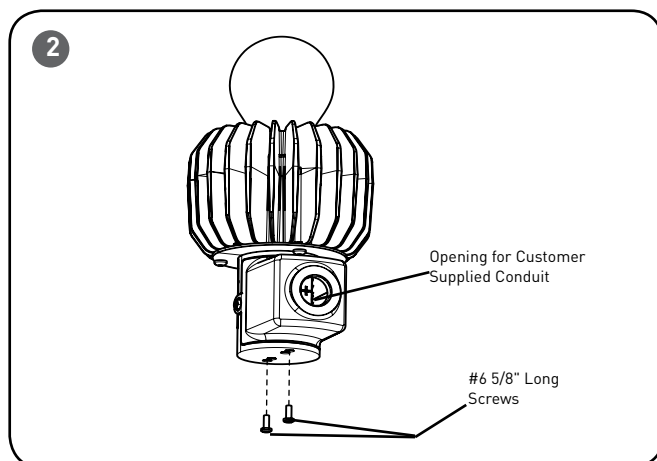
**NOTE:** The opening in the door cover accepts 1/2" flex conduit.

#### STEP 4:

Make wiring connections per **Electrical Connection** section on the back page.

#### STEP 5:

Reattach door cover that was removed in Step 1 by tightening screw.



## ELECTRICAL CONNECTIONS

### STEP 1:

Make the following electrical connections to the terminal block:

**For 120/277V** applications make the following Electrical Connections to the terminal block:

- Connect the black lead to the voltage supply lead
- Connect the white lead to the neutral supply lead
- Connect the green or green/yellow ground lead to the supply ground lead

**For 208/240** applications, make the following Electrical Connections to the terminal block:

- Connect L2 (Hot) supply lead to the black lead.
- Connect L1 (Hot) supply lead to the white lead
- Connect the green or green/yellow ground lead to the supply ground lead

