

C-VT-A-SMPD/LGPD Series

LED Vapor Tights - Pendant Mount - Small & Large
Replaces 100W/120W Incandescent



Small



Large

PRODUCT SPECIFICATIONS

OVERVIEW

- Initial Delivered Lumens: 900 (small), 1,200 (large)
- CRI: ≥ 70
- CCT: Neutral White 4000K
- Mounting: Pendant
- Input Power: 14 Watts (small), 22 Watts (large)
- Dimmable: No
- Operating Range: -40°C (-40°F) - 50°C (122°F)
- Lifespan: Estimated 172,000 Hours (small), 118,000 Hours (large)
- Power Factor: > 0.9
- Total Harmonic Distortion: $< 20\%$
- Limited Warranty: 5 Years*
- Replaces 100W Incandescent (small), 120W Incandescent (large)

DURABLE	VERSATILE	RECOMMENDED USE	INPUT VOLTAGE
<ul style="list-style-type: none"> • Rugged time-tested design • Sturdy housing and frosted glass globe 	<ul style="list-style-type: none"> • Protects against dust & moisture • Even clean light with several mounting options 	<ul style="list-style-type: none"> • Cold Storage • Manufacturing • Bridges & Tunnels 	<ul style="list-style-type: none"> • 120V Operation

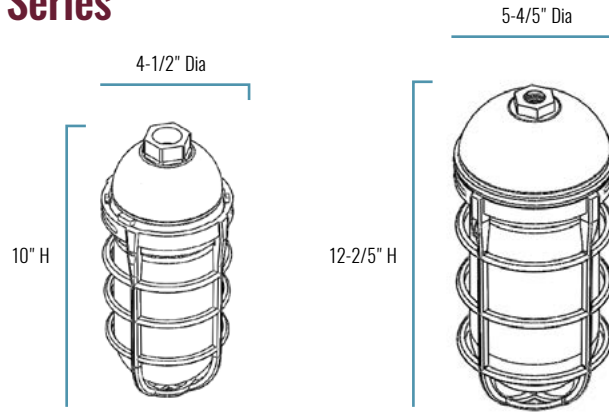
ORDERING INFORMATION

Example: C-VT-A-SMPD-9L-40K-GR

C-VT-A			40K	GR
PRODUCT	STYLE	LUMEN PACKAGE	CCT	COLOR
C-VT-A	SMPD LED Vapor Tight Pendant Mount Small	9L (small) 900 Lumens 14W	40K Neutral White (4000K)	GR Gray
	LGPD LED Vapor Tight Pendant Mount Large	12L (large) 1,200 Lumens 22W		

CERTIFICATIONS:

C-VT-A-SMPD/LGPD Series



SERIES OVERVIEW

DIMENSIONS	PRODUCT WEIGHT	MOUNTING HEIGHT	SPACING
10" H x 4-1/2" Dia (small) 12-2/5" H x 5-4/5" Dia (large)	2.1 lbs. (small) 4.1 lbs. (large)	8 to 12 feet	12 feet

FIXTURE SPECIFICATIONS

HOUSING	Die-cast aluminum housing and lamp guard Gray polyester powder-coat finish
LENS ASSEMBLY	Screw-in, frosted glass globe provides uniform light distribution
MOUNTING	Threaded for conduit entry: 3/4"

ELECTRICAL PERFORMANCE

OPERATING RANGE	LIFESPAN L ₇₀ AT 25°C (77°F)	POWER FACTOR	TOTAL HARMONIC DISTORTION	DIMMABLE
-40°C (-40°F) - 50°C (122°F)	Estimated 172,000 Hours (small) 118,000 Hours (large)	> 0.9	< 20%	No
INPUT VOLTAGE	120V	208V	240V	277V
CURRENT DRAW (Amps)	0.11A (small) 0.16A (large)	N/A	N/A	N/A

WARRANTY AND CERTIFICATIONS

WARRANTY	UL LISTED
5 Year Limited*	Wet Locations

CA RESIDENTS WARNING: Cancer and Reproductive Harm –
www.p65warnings.ca.gov

US: c-lite.com T (800) 236-6800 F (262) 504-5415

Canada: www.cree.com/canada T (800) 473-1234 F (800) 890-7507



Rev. Date: V2 10/12/2018

For informational purposes only. Content is subject to change. *See lighting.cree.com/warranty for details

C-LITE
LED LIGHTING BY CREE

C-VT-A-SMPD/LGPD Series

ACCESSORIES

	15" ALUMINUM SHROUD WITH POWDER-COAT FINISH (SMALL)
	SKU: C-ACC-A-VTSHR-SM-GR (Gray outer surface, white interior)
	15" ALUMINUM SHROUD WITH POWDER-COAT FINISH (LARGE)
	SKU: C-ACC-A-VTSHR-LG-GR (Gray outer surface, white interior)

© 2018 Cree, Inc. and/or one of its subsidiaries. All rights reserved. For informational purposes only. Content is subject to change. Patent www.cree.com/patents. The CREE LEDs logo, C-LITE™ and the C-LITE logo are trademarks of Cree, Inc. The UL logo is a registered trademark of UL LLC.

US: c-lite.com T (800) 236-6800 F (262) 504-5415

Canada: www.cree.com/canada T (800) 473-1234 F (800) 890-7507

Rev. Date: V2 10/12/2018

For informational purposes only. Content is subject to change. *See lighting.cree.com/warranty for details

C-LITE
LED LIGHTING BY CREE