

SmartCast® Wireless Gateway

SmartCast® Wireless Gateway for SmartCast® Wireless Lighting Networks

Rev. Date: V3 07/13/2020

Product Description

The SmartCast® Wireless Gateway enables system integration for SmartCast® Wireless lighting networks. The SmartCast® Wireless Gateway amplifies the savings potential of a building through integration of sensors and data with other systems like BMS or HVAC, and by using the SmartCast Advisor™ application to gain actionable insights that enable savings. Part of Cree Lighting's SmartCast Intelligence Platform™, the SmartCast® Wireless Gateway helps deliver smart building solutions that offer value beyond light to make businesses more profitable.

The SmartCast® Wireless Gateway with Wi-Fi, combined with the SmartCast® Touchscreen unlocks dynamic lighting and scene control capability for your existing Smartcast wireless lighting network or new installation. It delivers a unique lighting experience when used with Cadian™ Skylight.

Performance Summary

SmartCast® Technology enabled

Powered by Power over Ethernet (network switch by others) or DC injector (see accessory table below)

Enables system integration and analytics

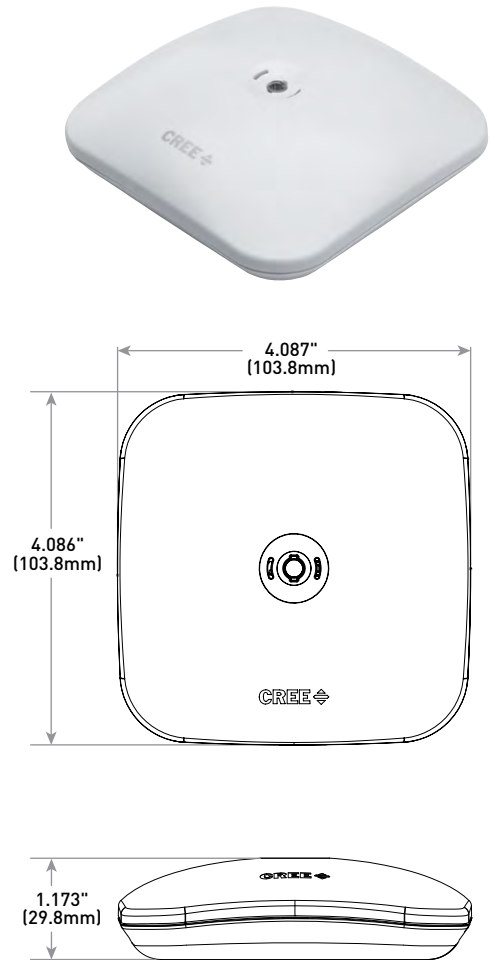
Small, low-profile design

Limited Warranty*: 5 years on Gateway/1 year on Accessories

* See <http://creelighting.com/warranty> for warranty terms

Accessories

| Field-Installed |
|---|
| SmartCast Link™ CSC-LINK-01 - Enables integration with SmartCast API (for IoT applications) and SmartCast BACnet application - For use with CSC-GW-CWC only |
| DC Injectors CSC-WPS-120V - SmartCast® Wall Plug Power Supply - For use with CSC-GW-CWC only - Powers gateway when PoE switch or CSC-CPS-120V aren't used - Includes 6" CAT5E Ethernet patch cable CSC-CPS-120V - SmartCast® Ceiling Power Supply - For use with CSC-GW-CWC only - Powers gateway when PoE switch or CSC-CWS-120V aren't used |
| SmartCast® Wireless Gateway J-Box Mounting Plate CSC-GW-JBOX-ADPTR - Optional accessory for use with all the versions of SmartCast® Wireless Gateway |



Ordering Information

Example: CSC-GW-CWC

| CSC-GW | |
|---------------------------------------|--|
| Product | Option |
| CSC-GW SmartCast® Wireless Gateway | CWC SmartCast® Wireless CWC-W SmartCast® Wireless with Wi-Fi 802.11a/b/g/n/ac, 2.4GHz +5.0GHz |

Product Specifications

SMARTCAST® TECHNOLOGY

With the SmartCast Intelligence Platform™, Cree Lighting has totally redefined intelligent lighting by making it so intuitive and simple, it just works - for you and for everyone who experiences it. SmartCast® Technology saves money while helping make organizations more productive, delivering up to 70% energy savings at up to half the cost of other solutions. Luminaires combine best-in-class light with onboard sensors and intelligence to deliver extreme energy productivity, code compliance and a better light experience without any extra design, installation or setup work.

MECHANICAL SYSTEM

- Mounts to T-bar grid with included mounting clip
- Low-profile enclosure
- Meets plenum requirements defined in UL508
- **Weight:** <1lb (<0.5kg)

ELECTRICAL SYSTEM

- **Input Power:** 2W
- Powered by Power Over Ethernet (POE) port (IEEE 802.3.af)
 - Wireless Gateway with Wi-Fi can also be powered by standalone DC power injector (CSC-WPS-120V or CSC-CPS-120V)
- Maximum distance from POE switch: 300ft (100m)
- Requires Cat5, Cat5e, or Cat6 wire connection

INTEGRAL WIRELESS COMMUNICATION

- 2.4GHz wireless mesh technology with AES 128-bit encryption
- **Range:**
 - 30 ft. (9.1m) in typical commercial applications
 - 300 ft. (91.4m) open air without obstructions
- **Network:** 250 devices max.
- One SmartCast® Wireless Gateway required per SmartCast® Wireless Lighting Network

ETHERNET COMMUNICATION

- IEEE 802.3.af
- **Maximum distance from POE switch:** 300ft (100m)
- Requires Cat5, Cat5e, or Cat6 wire connection

WI-FI COMMUNICATION (CSC-GW-CWC-W ONLY)

- IEEE 802.11 a/b/g/n/ac 2.4GHz +5.0GHz
- Supports SmartCast Touchscreen control and configuration
 - Does not support connection to Enterprise IT network
- Not compatible with SmartCast Link device

DEPLOYMENT

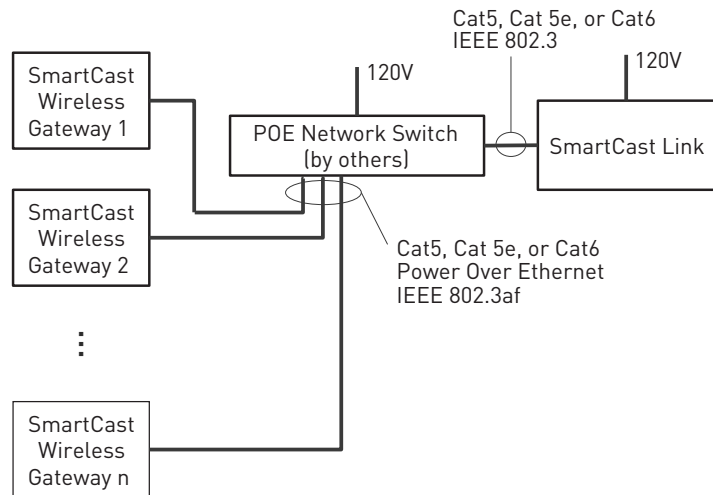
- Please refer to the SmartCast® Deployment Guide: <https://www.creelink.com/exlink.asp?236135640H88E44I39771048>

REGULATORY & VOLUNTARY QUALIFICATIONS

- cULus Listed
- Suitable for damp locations
- Designed for indoor applications only
- FCC and IC Certifications
- **CA RESIDENTS WARNING:** Cancer and Reproductive Harm – www.p65warnings.ca.gov

System Diagram

SmartCast® Wireless Gateway (CSC-GW-CWC)



SmartCast® Wireless Gateway with Wi-Fi (CSC-GW-CWC-W)

