

IMPORTANT SAFEGUARDS

When using electrical equipment, basic safety precautions should always be followed including the following:

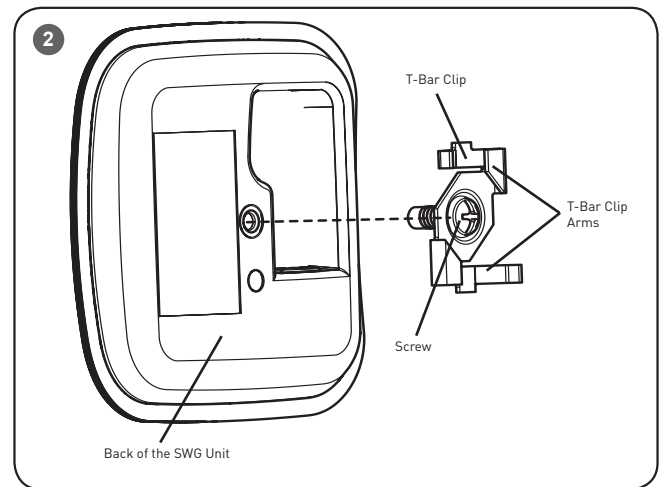
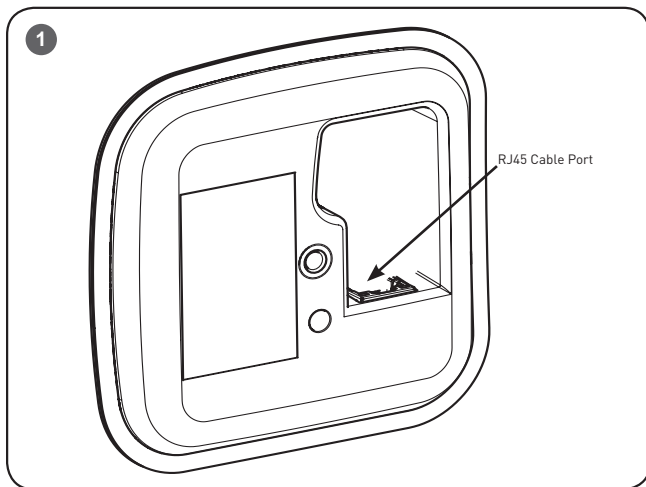
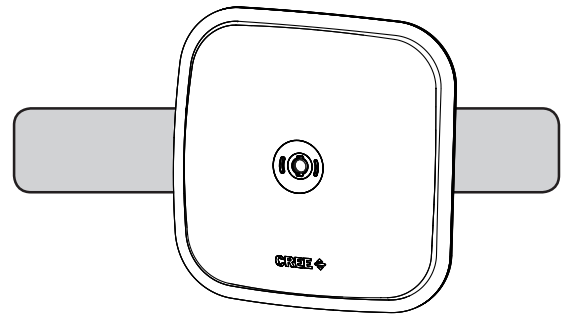
READ AND FOLLOW ALL SAFETY INSTRUCTIONS

- DANGER**- Risk of shock- Disconnect power before installation.
DANGER – Risque de choc – Couper l'alimentation avant l'installation.
- Must be installed in accordance with the NEC or your local electrical code. If you are not familiar with these codes and requirements, consult a qualified electrician.
Ce produit doit être installé conformément à NEC ou votre code électrique local. Si vous n'êtes pas familier avec ces codes et ces exigences, veuillez contacter un électricien qualifié.
- Indoor use only and Suitable for Damp Locations.
Pour usage interieur seulement et convient aux emplacements humides.
- This equipment shall be installed and operated with a minimum distance 20cm between the radiator and your body.
L'équipement doit être installé d'une façon qu'une distance minimum de 20cm soit maintenue entre l'émetteur et toute partie du corps.

SAVE THESE INSTRUCTIONS FOR FUTURE REFERENCE

- Suitable for use in other Environmental Air Space (Plenums) in accordance with section 300.22,(C) of the National Electrical Code, and Sections 2-128, 12-010(3) and 12-100 of the Canadian Electrical Code, Part 1 CSA C22.1
Peut être utilisé dans de gaines transportant de l'air traité, conformément à la section 300.22,(C) du National Electrical Code et aux articles 2-128, 12-010(3) ET 12-100 du Code Canadian de l'électricité Première partie, CSA C22.1.
- Plenum rated cables need to be used when the SWG is installed in a plenum.
- SWG needs to be connected to PoE networks without routing to outside plant connections.
- When this product is supplied by the Listed Direct Plug-In Power Unit Starwell Technology PSE-480050US it is intended to be used in a 25C environment up to 2000m.

INSTALLATION INSTRUCTIONS



T-BAR MOUNTING

STEP 1:

Plug customer supplied Ethernet RJ45 cable into the RJ45 cable port located on the backside of the device. See **Figure 1**.

NOTE: Plenum rated cables need to be used when the SWG is installed in a plenum.

STEP 2:

Insert the T-Bar clip into the back of the SWG unit using provided screw as shown in **Figure 2**.

STEP 3:

NOTE: Before you attach the SWG device, please save the details from the label on the back of the device - SSID and password. You will need these details to login and connect to the device over Wi-Fi.

To attach the SWG device to the ceiling T-bar, rotate the device counter clockwise 45 degrees and apply an upward force to engage the T-bar clip. While maintaining the upward force, rotate the device clockwise 45 degrees to snap and lock the device to the T-bar.

STEP 4:

Connect the supplied Ethernet RJ45 cable to the POE wall supply (POE Port) .

SURFACE MOUNTING USING JUNCTION BOX ADAPTER- REQUIRES CSC-GW-JBOX-ADPTR

STEP 1:

Using provided screw, washer and spacer attach the metal plate to the back of the SWG unit as shown in **Figure 4**.

STEP 2:

Plug supplied Ethernet RJ45 cable into the RJ45 cable port located on the device. See **Figure 3**. **NOTE:** Plenum rated cables need to be used when the SWG is installed in a plenum.

STEP 3:

Insert provided (2) screws or drywall screws into the slots on each end of the metal plate and attach the unit to the desired surface or mount. See **Figure 5**.

STEP 4:

Rotate the whole unit 45 degrees clockwise in order to hide the screw holes. See **Figure 5**.

STEP 5:

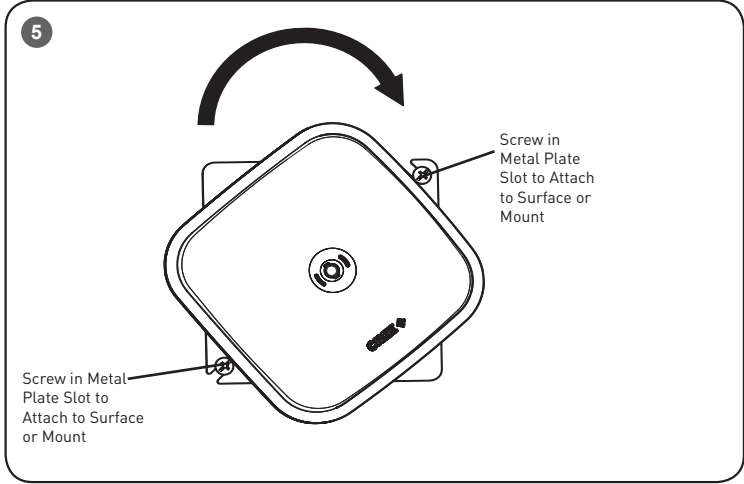
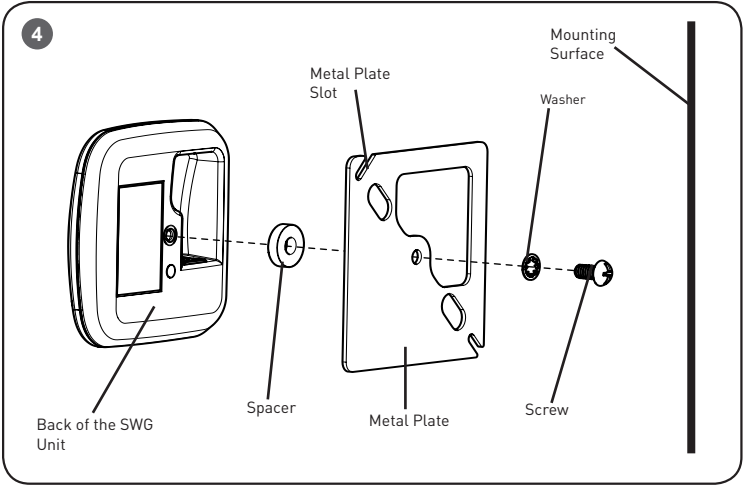
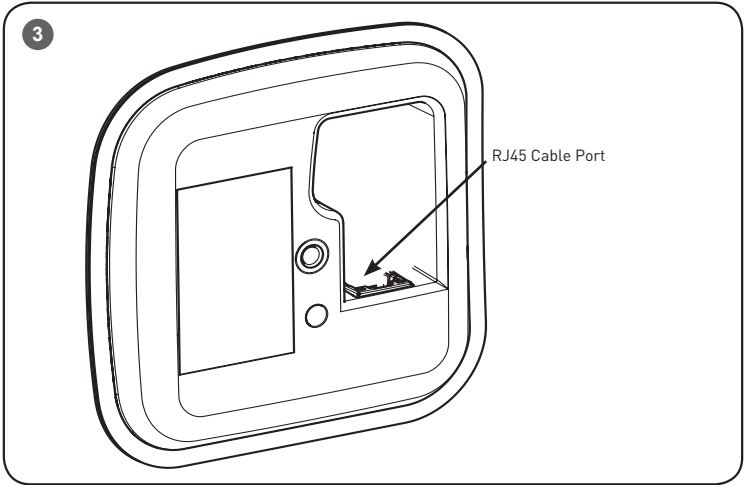
Connect the supplied Ethernet RJ45 cable to the PoE wall supply (PoE Port).

STEP 6:

Please make sure the device is powered and operational. Please refer to the STATUS LED INDICATOR TABLE in the Troubleshooting section on page 3.

STEP 7:

Please proceed to configure the device using SmartCast documentation available at <https://www.creelighting.com/touchscreen-help>.



TROUBLESHOOTING:

If LEDs do not illuminate:

1. Check that the ethernet cable is connected to a the power supply and the power is turned on.
2. Check that the network cable is fully seated in the connector on the back side of the SmartCast Wireless Gateway such that the locking feature is fully engaged.

| STATUS LED INDICATOR TABLE | | |
|----------------------------|-----------|--|
| STATUS CODE | | Issue |
| LED COLOR | PATTERN | DESCRIPTION |
| Red | Any | Hardware error. Contact Cree Lighting Support. |
| Purple | 10 Blinks | User initiated Factory Reset. |
| Blue | 2 Blink | SWG is in DISCOVERY mode. |
| | 4 Blinks | SWG is in CONFIG mode |
| Green | Solid | System operational. No issues detected. |

FCC NOTICE

This device complies with Part 15 of the FCC Rules. Operation is subject to the following two conditions: (1) this device may not cause harmful interference, and (2) this device must accept any interference received, including interference that may cause undesired operation. Any changes or modifications not expressly approved by the party responsible for compliance could void the user's authority to operate the device.

This device has been tested and found to comply with the limits for a Class A digital device, pursuant to Part 15 of the FCC Rules. These limits are designed to provide reasonable protection against harmful interference when the device is operated in a commercial environment. This device generates, uses, and can radiate radio frequency energy and, if not installed and used in accordance with the instruction manual, may cause harmful interference to radio communications. Operation of this device in a residential area is likely to cause harmful interference in which case the user will be required to correct the interference at his own expense.

In addition, this device complies with ICES-005 of the Industry Canada (IC) Regulations.

INDUSTRY CANADA STATEMENT

This device complies with Industry Canada licence-exempt RSS standard(s). Operation is subject to the following two conditions: (1) this device may not cause interference, and (2) this device must accept any interference, including interference that may cause undesired operation of the device. In addition, this device complies with ICES-005 of the Industry Canada (IC) Regulations.

Le présent appareil est conforme aux CNR d'Industrie Canada applicables aux appareils radio exempts de licence. L'exploitation est autorisée aux deux conditions suivantes : (1) l'appareil ne doit pas produire de brouillage, et (2) l'utilisateur de l'appareil doit accepter tout brouillage radioélectrique subi, même si le brouillage est susceptible d'en compromettre le fonctionnement.