

# C-CP-A-SQ-30L Series

## LED Square Canopy Light

Replaces 70W PSMH



**EXTREMELY DURABLE DESIGN WITH AN EFFICACY UP TO 110 LUMENS PER WATT!**



### PRODUCT SPECIFICATIONS

#### OVERVIEW

- Initial Delivered Lumens: 3,000
- CRI:  $\geq 70$
- CCT: Neutral White 4000K, Cool White 5000K
- Input Power: 28 Watts
- Dimmable: No
- Operating Minimum:  $-40^{\circ}\text{C}$  ( $-40^{\circ}\text{F}$ )
- Lifespan: Estimated  $>100,000$  Hours
- Power Factor:  $> 0.9$
- Total Harmonic Distortion:  $< 15\%$
- Limited Warranty: 5 Years\*
- Replaces 70W PSMH

FEATURES	DURABLE	RECOMMENDED USE	INPUT VOLTAGE
<ul style="list-style-type: none"> <li>• Uses 67% less energy than comparable PSMH fixtures</li> <li>• Type VS distribution pattern</li> </ul>	<ul style="list-style-type: none"> <li>• Polyester powder-coat finish provides corrosion protection for long-lasting color</li> <li>• UV-stabilized lens designed to last</li> </ul>	<ul style="list-style-type: none"> <li>• Security</li> <li>• Entryways</li> <li>• Perimeter Lighting</li> <li>• Exterior Canopies</li> </ul>	<ul style="list-style-type: none"> <li>• Universal (120V through 277V Operation)</li> </ul>

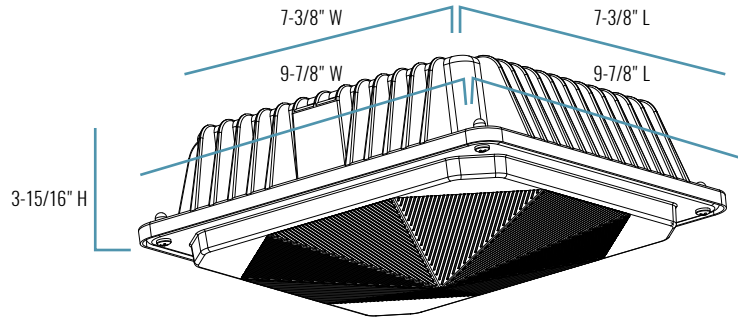
### ORDERING INFORMATION

Example: C-CP-A-SQ-30L-40K-WH

C-CP-A	SQ	30L		
PRODUCT	STYLE	LUMEN PACKAGE	CCT	COLOR
C-CP-A	SQ LED Square Canopy	30L 3,000 Lumens 28W	40K Neutral White (4000K) 50K Cool White (5000K)	DB Dark Bronze WH White

#### CERTIFICATIONS:

# C-CP-A-SQ-30L Series



## SERIES OVERVIEW

DIMENSIONS	PRODUCT WEIGHT	MOUNTING HEIGHT	SPACING
7-3/8" L x 7-3/8" W x 3-15/16" H 9-7/8" L x 9-7/8" W (Outer Edge)	5.0 lbs.	8 to 15 feet	1 to 2 times the mounting height

## FIXTURE SPECIFICATIONS

<b>HOUSING</b>	Low-copper, die-cast aluminum housing Dark bronze or white polyester powder-coat finish
<b>LENS ASSEMBLY</b>	UV-stabilized acrylic prismatic refractor with self-retaining screws
<b>MOUNTING</b>	3/4" conduit entry on top for pendant mounting 1/2" conduit entries on two sides

## ELECTRICAL PERFORMANCE

OPERATING MINIMUM	LIFESPAN L <sub>70</sub> AT 25°C (77°F)	POWER FACTOR	TOTAL HARMONIC DISTORTION	DIMMABLE
-40°C (-40°F)	Estimated >100,000 Hours	> 0.9	< 15%	No
<b>INPUT VOLTAGE</b>	<b>120V</b>	<b>208V</b>	<b>240V</b>	<b>277V</b>
<b>CURRENT DRAW (Amps)</b>	0.23A	0.14A	0.12A	0.10A

## WARRANTY AND CERTIFICATIONS

WARRANTY	UL LISTED	DLC
5 Year Limited*	Wet Locations - covered ceiling mount only. Not intended for use with direct exposure to high-pressure water	DLC Qualified

**CA RESIDENTS WARNING:** Cancer and Reproductive Harm –  
[www.p65warnings.ca.gov](http://www.p65warnings.ca.gov)

© 2018 Cree, Inc. and/or one of its subsidiaries. All rights reserved. For informational purposes only. Content is subject to change. Patent [www.cree.com/patents](http://www.cree.com/patents). C-LITE™ and the C-LITE logo are trademarks of Cree, Inc. The UL logo is a registered trademark of UL LLC. The DLC QPL logo is a registered trademark of Efficiency Forward, Inc

US: [c-lite.com](http://c-lite.com) T (800) 236-6800 F (262) 504-5415

Canada: [www.cree.com/canada](http://www.cree.com/canada) T (800) 473-1234 F (800) 890-7507

Rev. Date: V1 10/11/2018

For informational purposes only. Content is subject to change. \*See [lighting.cree.com/warranty](http://lighting.cree.com/warranty) for details

**C-LITE**  
LED LIGHTING BY CREE