

IMPORTANT SAFEGUARDS

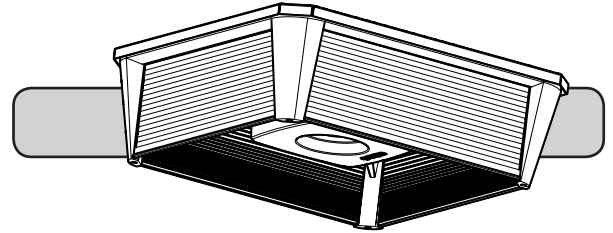
When using electrical equipment, basic safety precautions should always be followed including the following:

READ AND FOLLOW ALL SAFETY INSTRUCTIONS

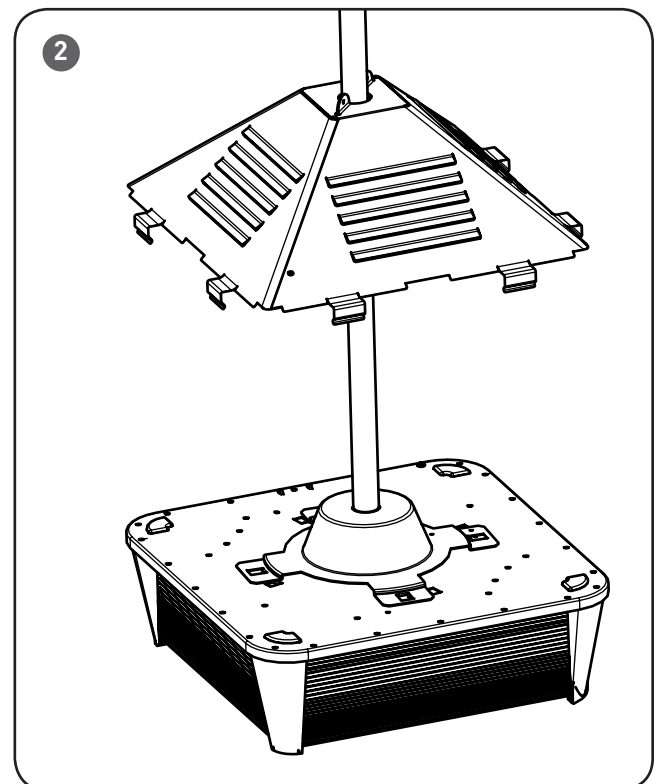
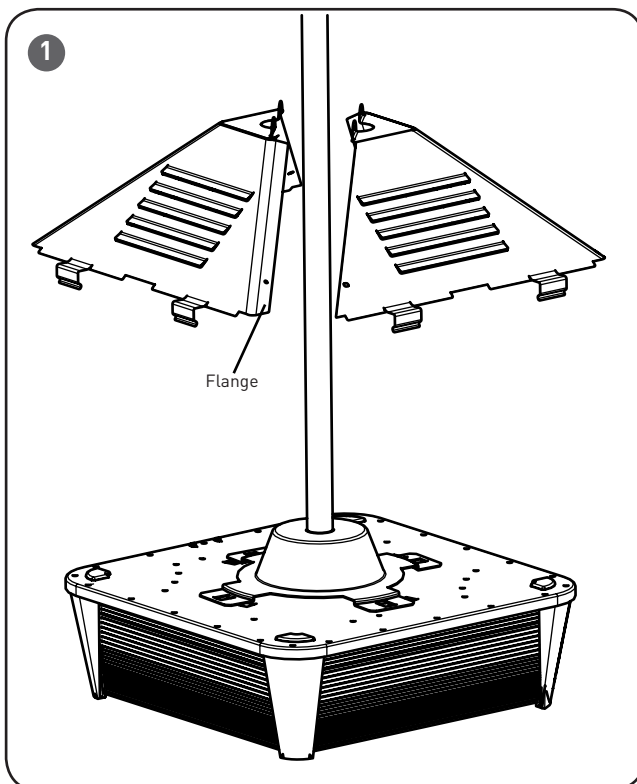
1. **DANGER**- Risk of shock- Disconnect power before installation.
DANGER – Risque de choc – Couper l'alimentation avant l'installation.

SAVE THESE INSTRUCTIONS FOR FUTURE REFERENCE

INSTALLATION INSTRUCTIONS
INSTRUCTIONS D'INSTALLATION



TO INSTALL:

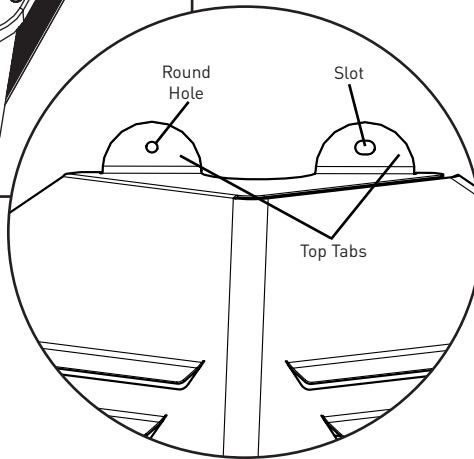
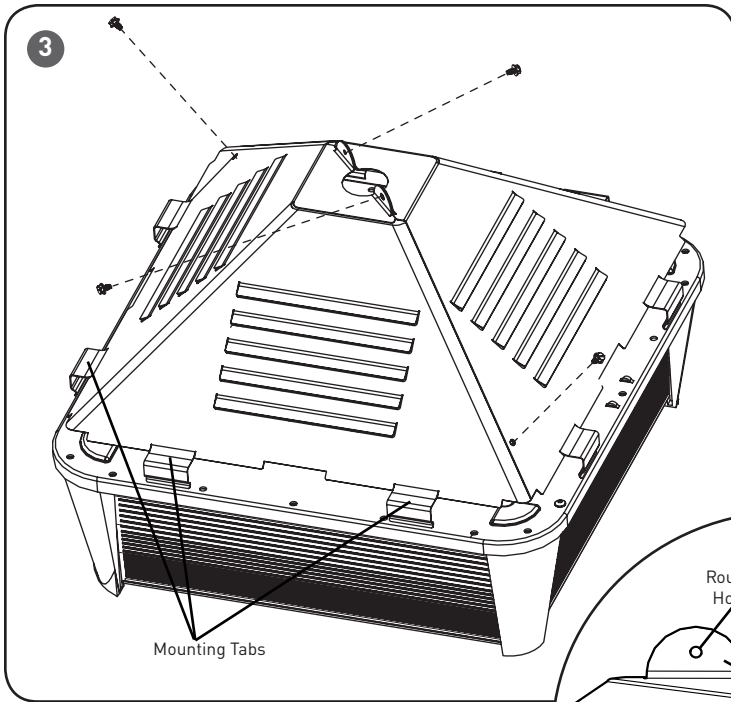


BIRD GUARD MOUNTING

STEP 1:

Bring both halves of the bird guard together around the pendant as shown in **Figure 1 and 2**. Make sure that the flanges go under the non flange sides. This is needed for proper securing of the screws in the next step.

NOTE: There is one flange side on each half of the bird guard.



STEP 2:

With the bird guard mounting tabs resting on top of the fixture, secure the bird guard halves together using (4) provided screws as following (See **Figure 3**):

- Two screws are inserted in on the sides of the bird guard assembly, make sure that the flange side of the bird guard is underneath the non flange side.
- Two screws are inserted through the top two tabs. Ensure that the screws are inserted through the round hole.

NOTE: Inserting the screw initially from the opposite side (the slot) will not allow the screw to fasten properly.

STEP 3:

Push bird guard assembly downwards to fully engage mounting tabs with top of the IG luminaire. See **Figure 4**.

