



LINE DIMMING LUMINAIRE CONTROLLER EXTERNAL MOUNT

SCLINE1000

SCLINE-277

The Line Dimming Luminaire Controller is a junction box-mounted module that can turn on, turn off or provide triac dimming control to an incandescent, MLV, or LED driver. The SCLINE1000/SCLINE-277 quickly and easily install using a knock-out on a junction box or fixture and provide the ability to control individual fixtures or groups of fixtures.

HOW IT WORKS

AC-powered Audacity Luminaire Controllers operate in the highly reliable 915 MHz spectrum. Your electrical installer mounts this Luminaire Controller to a junction box through a knockout, and the wiring is completed inside the box. The typical range for Luminaire Controllers is within 300 feet of the Gateway. And with the repeater mode enabled, the range is extended even farther.

BECAUSE TIME IS MONEY

A typical wired system is vastly more labor intensive and costly to install. The Audacity Luminaire Controllers get your system up and operational faster and can be modified over time with incredible ease.

The Audacity Wireless Controls system can be used to provide compliance with ASHRAE 90.1-2016 and CA Title 24 requirements.

**AUDACY BY IDEAL®:
CUTTING COSTS.
CUTTING EDGE.**

IDEAL has been a leading manufacturer of quality electrical products for over one hundred years. Crafted at the intersection of simple and innovative, our new Audacity Wireless Controls system.

AUDACY®
WIRELESS LIGHTING CONTROL
YOUR WORLD IN A BETTER LIGHT

LINE DIMMING LUMINAIRE CONTROLLER, EXTERNAL-MOUNT

SCLINE1000

SCLINE-277

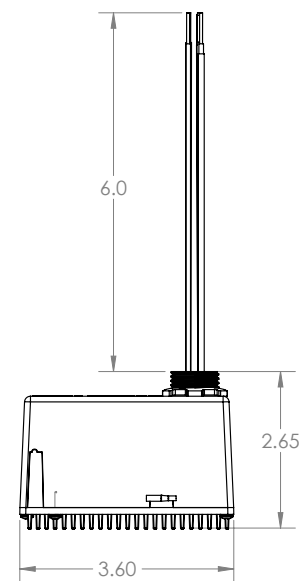
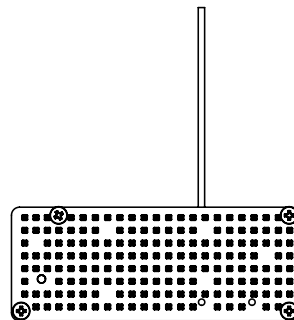
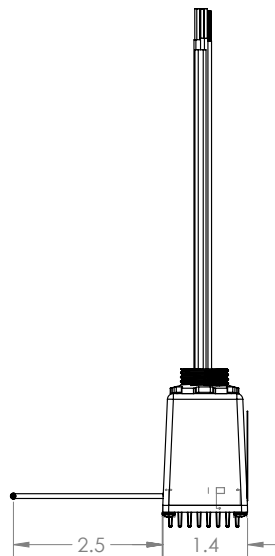


On the DesignLights Consortium™ Qualified Products List

SPECIFICATIONS

ITEM	DESCRIPTION
Radio Frequency Range	902–928 MHz, Dual Channel, Integrated Wire Antenna
Wireless Protocol	Proprietary based on IEEE 802.15.4
Encryption	Proprietary based on AES encryption
Regulatory Approvals	FCC Part 15 and Industry Canada FCC ID: 2AAMXSCLINE1000 (Or SCLINE-277) IC: 11250A-SCLINE1000 (Or SCLINE-277) UL 916 (Energy Management Equipment) CCEA (Chicago Plenum) CAN/ULC-S102.2 (Canada Plenum) CSA-C22.2 No. 205-12, Signal Equipment
Transmit Power	18 dBm short duration, utilizing direct sequence spread spectrum
Transmit Range	300 ft. (100.4m) indoors to an Audacy Gateway or Luminaire Controller in a typical commercial building; extended range when repeater mode enabled
Input Voltage	SCLINE1000 - 120V AC/SCLINE-277 - 120/277V AC
Rated Current	5A (120VAC) 2.1A (277VAC)
Rated Load Wattage	600W
Operating Temperature	50°F to 158°F (10°C to 70°C)
Installation Environment	Indoor use only
Mounting	Directly to junction box or fixture via 1/2" knockout
Dimming Wire Placement	Within nipple for internal connection
Color/Material	Silver/Aluminum
Dimensions	3.6" x 1.42" x 8.65", antenna fully extended (91mm x 36mm x 220mm)
Weight	4.6 oz (130.4g)
Warranty	5 year
Catalog Number	59-SCLINE1000/59-SCLINE-277
Description	Audacy® Line Dimming Luminaire Controller, External-Mount

MECHANICAL DIMENSIONS (INCHES)



CONTACT US TODAY FOR A CONSULTATION

1.800.273.9989

CONTACTUS@AUDACYWIRELESS.COM

AUDACYWIRELESS.COM

AUDACY®

WIRELESS LIGHTING CONTROL

YOUR WORLD IN A BETTER LIGHT

A DIVISION OF HICAL INDUSTRIES, INC.

AUDACY | 2