

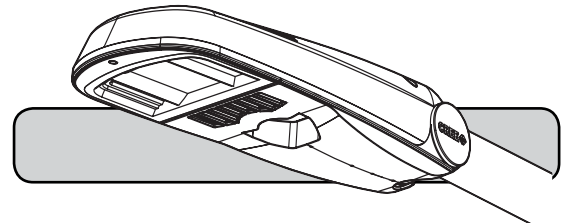
IMPORTANT SAFEGUARDS

When using electrical equipment, basic safety precautions should always be followed including the following:

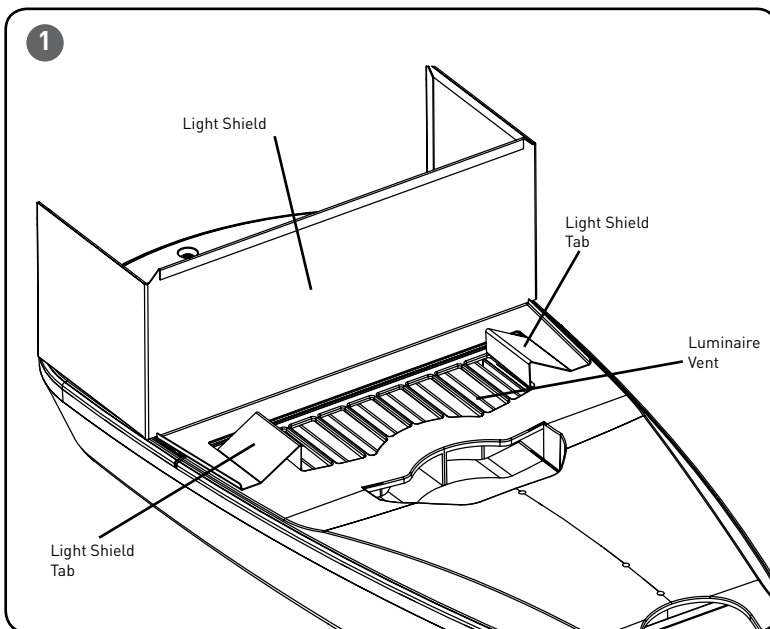
READ AND FOLLOW ALL SAFETY INSTRUCTIONS

1. **DANGER**- Risk of shock- Disconnect power before installation.
DANGER – *Risque de choc – Couper l'alimentation avant l'installation.*

SAVE THESE INSTRUCTIONS FOR FUTURE REFERENCE



TO INSTALL:



STEP 1:

Insert one of the tabs on the light shield into the first slot on the luminaire vent. See **Figure 1**.

STEP 2:

Insert the other light shield tab into the last slot on the luminaire vent by pressing the tab down into the slot. See **Figure 1**.