



The Audacy® Recessed Light Sensor is used to detect ambient light in a space, providing daylight harvesting capabilities. Operating in the highly reliable 915 MHz spectrum, the Recessed Light Sensor requires no wiring, has a 25-year battery life, and wirelessly sends ambient light measurements to the Gateway for closed-loop daylight harvesting operation.

HOW IT WORKS

Your inputs to the Audacy Interface determine which groups of light fixtures – equipped with Audacy Luminaire Controllers – dim or brighten based on ambient light throughout the day.

ADAPTABILITY AT YOUR FINGERTIPS

As with all Audacy Wireless Controls system components, the Audacy Recessed Light Sensors vastly reduce installation time and costs versus a typical wired system alternative. You even have the flexibility to place it anywhere you choose, because there are no wires to run.

The Audacy Wireless Controls system can be used to provide compliance with ASHRAE 90.1-2016 and CA Title 24 requirements.

AUDACY BY IDEAL®: CUTTING COSTS. CUTTING EDGE.

IDEAL has been a leading manufacturer of quality electrical products for over one hundred years. Crafted at the intersection of simple and innovative, our new Audacy Wireless Controls system.

AUDACY
WIRELESS LIGHTING CONTROL
YOUR WORLD IN A BETTER LIGHT

RECESSED LIGHT SENSOR

LS1403

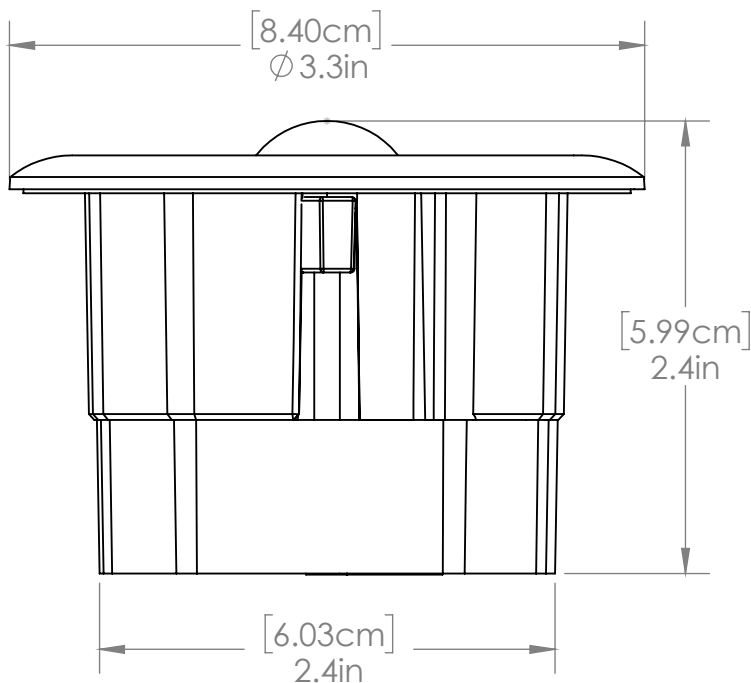


On the DesignLights Consortium™ Qualified Products List

SPECIFICATIONS

ITEM	DESCRIPTION
Radio Frequency Range	902–928 MHz, Dual Channel, Internal Antenna
Wireless Protocol	Proprietary based on IEEE 802.15.4
Encryption	Proprietary based on AES encryption
Regulatory Approvals	FCC Part 15 and Industry Canada FCC ID: 2AAMXLS1403 IC: 11250A-LS1403
Transmit Power	2 dBm short duration, utilizing direct sequence spread spectrum
Transmit Range	100 ft. (30m) indoors to Audacy Gateway or Luminaire Controller in typical commercial office building; extended range when repeater mode enabled
Power	25+ year battery, non-replaceable
Operating Temperature	50°F to 104°F (10°C to 40°C)* *Battery life may be reduced if operated at higher temperatures
Light Level	0–2500 lux (0–232 fc)
Installation Environment	Indoor use only
Mounting	2 bracket mounting holes (See mechanical drawing for dimensions)
Color	White
Dimensions	4.56" x 2.29" x 1.12" (115.82mm x 58.17mm x 28.45mm)
Weight	3.0 oz (85g)
Warranty	5 year
Catalog Number	59-LS1403
Description	Audacy® Recessed Light Sensor

MECHANICAL DIMENSIONS (CM & IN)



Through Hole Required: 2.5"/64 mm

Maximum Hole Size: 2.75"/70 mm

CONTACT US TODAY FOR A CONSULTATION

1.800.273.9989

CONTACTUS@AUDACYWIRELESS.COM

AUDACYWIRELESS.COM

AUDACY
WIRELESS LIGHTING CONTROL
YOUR WORLD IN A BETTER LIGHT

A DIVISION OF IDEAL INDUSTRIES, INC.

AUDACY | 2