

EXTERNAL-MOUNT LUMINAIRE CONTROLLER RETROFIT KIT INSTALLATION INSTRUCTIONS

OPERATING VOLTAGE

SCD1000-EM/LCE20A1000: 120/277V AC

SCDMET-277: 277V AC

SCDMET1002: 347V AC

Maximum Ampere draw: 5.0 Amps (20 Amps for LCE20A1000)

“Suitable for Use In Air Handling Spaces”

Wiring must comply with all applicable electrical codes. Turn off power before removing or installing controller.

WARNING: THIS IS A CURRENT RATED DEVICE. USE IN APPLICATIONS INVOLVING AMPERAGE BEYOND ITS RATING CAN BE DANGEROUS AND CAUSE ELECTRICAL FIRES.

WARNING: RISK OF FIRE OR ELECTRICAL SHOCK. CONVERSION KIT INSTALLATION REQUIRES KNOWLEDGE OF FLUORESCENT AND LED LIGHTING LUMINAIRES ELECTRICAL SYSTEMS. IF NOT QUALIFIED, DO NOT ATTEMPT INSTALLATION. CONTACT A QUALIFIED ELECTRICIAN.

WARNING: ONLY THOSE OPEN HOLES INDICATED IN THE PHOTOGRAPHS AND/OR DRAWINGS MAY BE MADE OR ALTERED AS A RESULT OF KIT INSTALLATION. DO NOT LEAVE ANY OTHER OPEN HOLES IN AN ENCLOSURE OF WIRING OR ELECTRICAL COMPONENTS.

WARNING: TO PREVENT WIRING DAMAGE OR ABRASION, DO NOT EXPOSE WIRING TO EDGES OF SHEET METAL OR OTHER SHARP OBJECTS.

WARNING: RISK OF FIRE OR ELECTRIC SHOCK. INSTALL THIS KIT ONLY IN THE LUMINAIRES THAT HAVE THE CONSTRUCTION FEATURES AND DIMENSIONS SHOWN IN THE DRAWINGS AND WHERE THE INPUT RATING OF THE RETROFIT KIT DOES NOT EXCEED THE INPUT RATING OF THE LUMINAIRE.

THIS RETROFIT KIT IS ACCEPTED AS A COMPONENT OF A LUMINAIRE WHERE THE SUITABILITY OF THE COMBINATION SHALL BE DETERMINED BY AUTHORITIES HAVING JURISDICTION.

LIST OF MATERIALS

1. LCE20A1000, SCD1000-EM, SCDMET1002, or SCDMET-277 Luminaire Controller
2. Installation Instructions

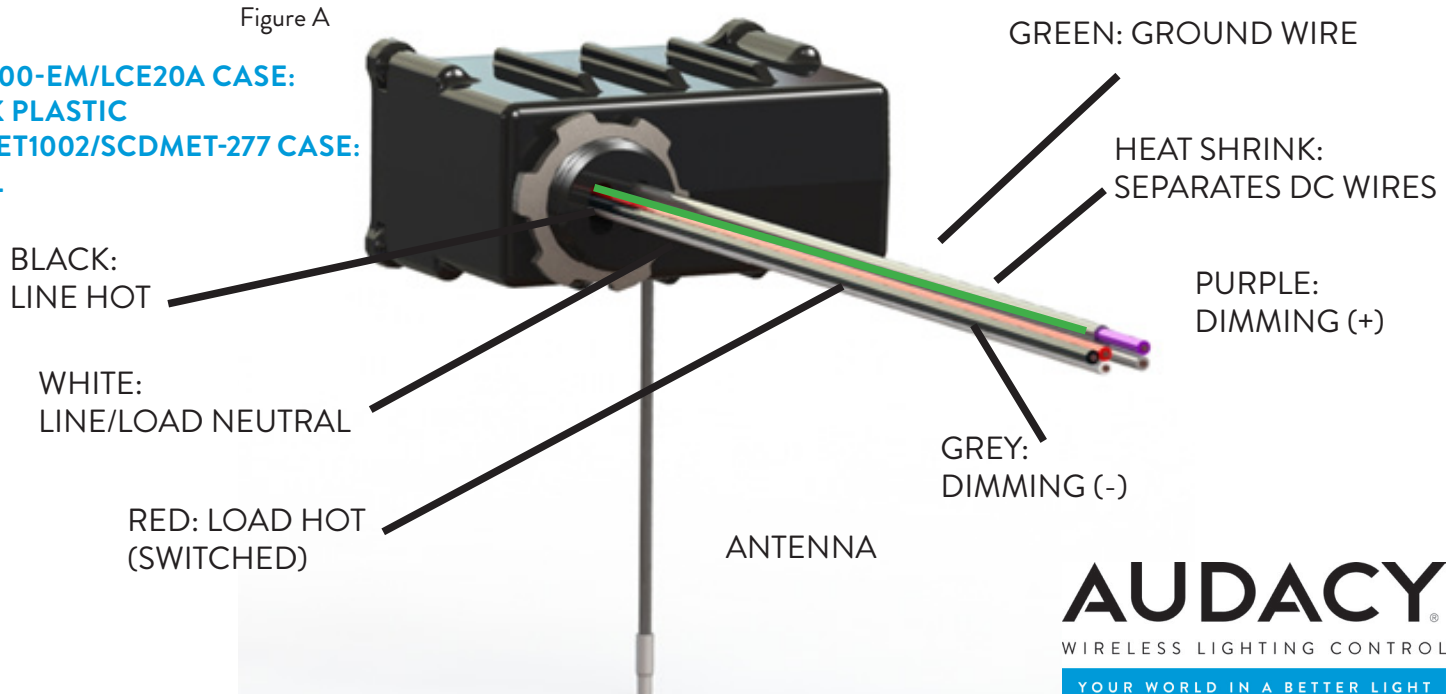
Figure A

SCD1000-EM/LCE20A CASE:

BLACK PLASTIC

SCDMET1002/SCDMET-277 CASE:

METAL



AUDACY
WIRELESS LIGHTING CONTROL
YOUR WORLD IN A BETTER LIGHT

WIRING REFERENCE

LINE HOT (BLACK): Incoming power feed from premise wiring

LOAD HOT (RED): Power output from Luminaire Controller to Driver AC power input

NEUTRAL (WHITE): Power feed and power output neutral connection

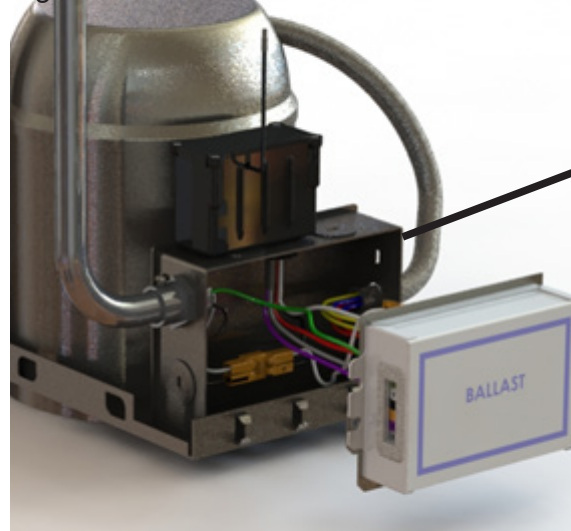
GROUND (GREEN): (ONLY on SCDMET1002/SCDMET-277 units) is for AC Ground connections

DIMMING (PURPLE +, GRAY -): 0-10 VDC dimming control output from Luminaire Controller to ballast/LED driver dimming input

RETROFIT INSTALLATION

1. Locate and remove a ½” knockout in fixture or junction box that will allow for sufficient clearance and vertical antenna orientation while minimizing metallic obstruction near the antenna. Figure B is an example using a CFL ballast and its adjoining wiring enclosure. The External-Mount Luminaire Controllers can be mounted in any electrical enclosure with a ½” KO available.
2. Feed wires through the knock-out opening and secure Luminaire Controller to junction box or fixture with lock nut.
3. If necessary, bend the antenna near the base to ensure it is in a vertical orientation. See Figure B.

Figure B



ANTENNA
MUST POINT
UP

CONNECTING THE WIRES

Power Connections

1. Attach the black conductor of the Luminaire Controller to the line voltage using a splicing wire connector. If a ballast disconnect is required per the local jurisdiction then install as required.
2. Splice the white conductor of the Luminaire Controller to LINE neutral and to the neutral wire of the ballast or LED driver using a splicing wire connector. See Figure C.
3. Connect the red LOAD hot switched wire to the hot wire of the ballast or LED driver. See Figure C.
4. Connect the Green GROUND wire from the SCDMET1002 or SCDMET-277 to the equipment ground conductor.

Figure C



SPlice
NEUTRAL WIRE

AUDACY
WIRELESS LIGHTING CONTROL
YOUR WORLD IN A BETTER LIGHT

WIRING DIAGRAMS

Exhibit 1:

FIXTURE BEFORE RETROFIT

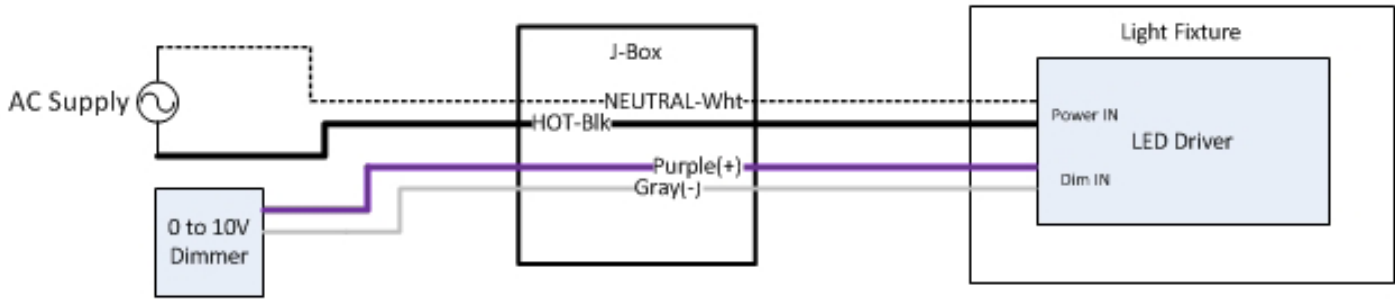
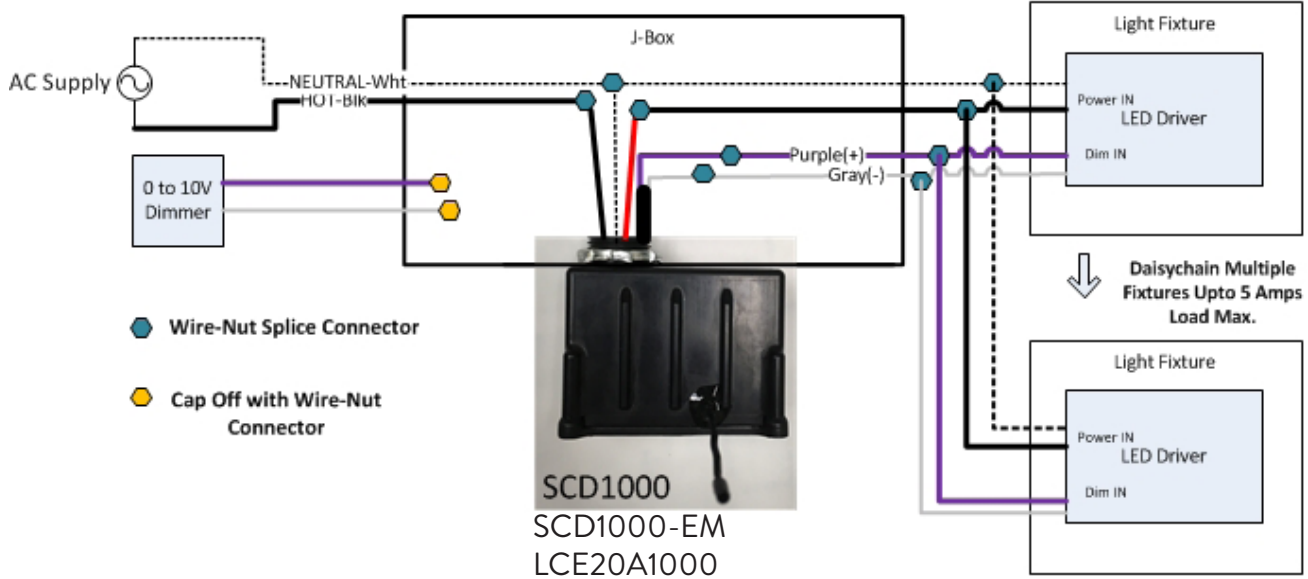
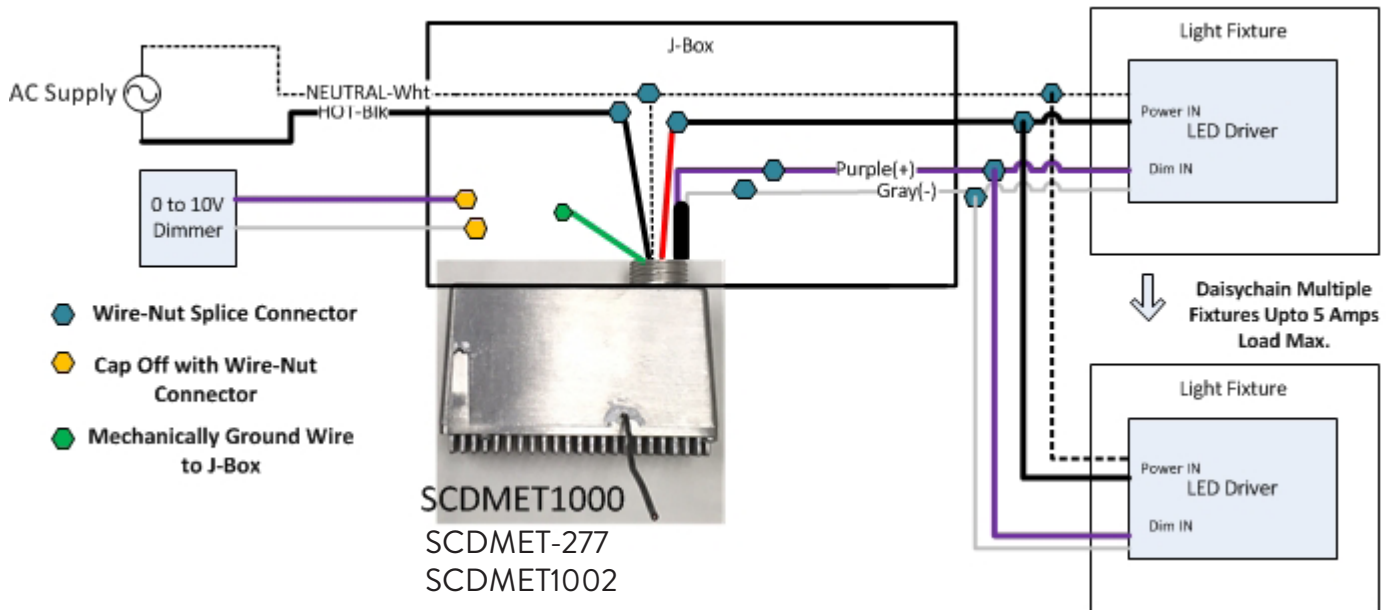


Exhibit 2:

FIXTURE CONFIGURATION AFTER RETROFIT 1



FIXTURE CONFIGURATION AFTER RETROFIT 2

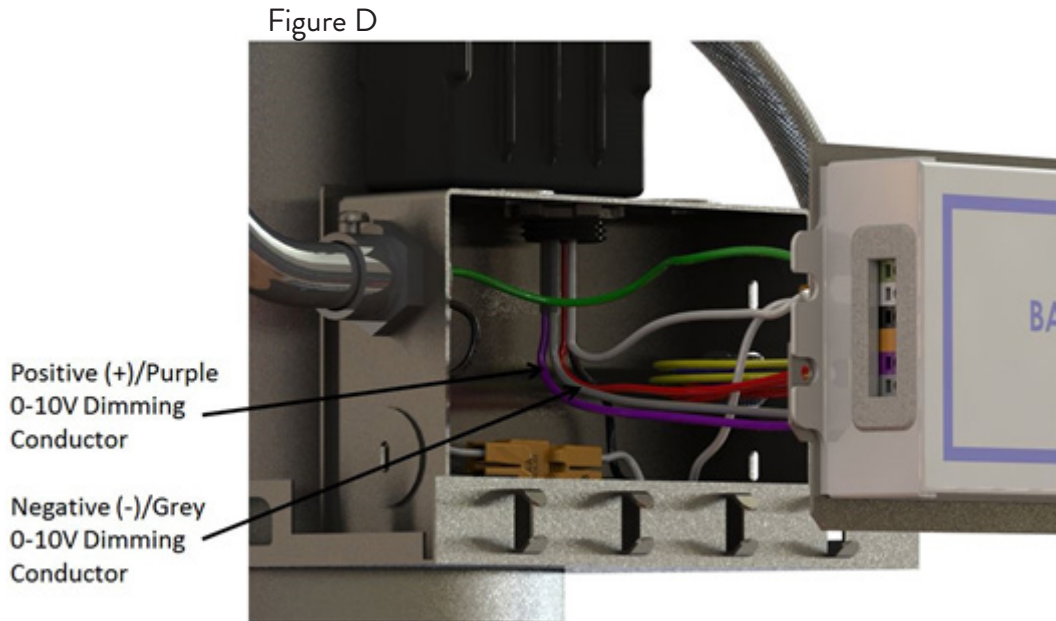


DIMMING CONNECTIONS

Ensure that no copper is exposed on any of the wires after installation.

If not using a dimmable ballast or LED driver ensure that the Purple and Gray dimming wires are properly capped so no copper is exposed. The dimming circuit can drive a maximum of 20 dimmable ballasts or LED drivers.

1. Connect the positive/(+)/purple DIM conductor of the Luminaire Controller to the positive/(+) dimming input of the ballast or LED driver. See Figure D.
2. Connect the negative/(-)/gray DIM conductor of the Luminaire Controller to the negative/(-) dimming input of the ballast or LED driver. See Figure D.



SERIAL NUMBER TRACKING

1. Remove the 2 tear-away stickers that contain the serial number of the Luminaire Controller. See Figure E.
2. Apply these to a drawing of the space containing the fixture or a tracking sheet to identify the serial number and its location in the room.
3. If these tear away labels are missing, please write down the serial number of the Luminaire Controller in a safe place.
4. These serial numbers are required in order to have a complete Audacy operating system.



CONTACT US TODAY FOR A CONSULTATION

1.800.273.9989

CONTACTUS@AUDACYWIRELESS.COM

AUDACYWIRELESS.COM