

### IMPORTANT SAFEGUARDS

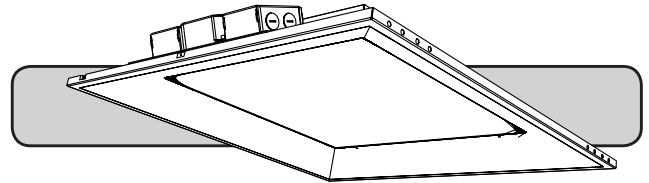
When using electrical equipment, basic safety precautions should always be followed including the following:

#### READ AND FOLLOW ALL SAFETY INSTRUCTIONS

- 1. DANGER**- Risk of shock- Disconnect power before installation.  
**DANGER – Risque de choc – Couper l'alimentation avant l'installation.**
- This luminaire must be installed in accordance with the NEC or your local electrical code. If you are not familiar with these codes and requirements, consult a qualified electrician.  
*Ce produit doit être installé conformément à NEC ou votre code électrique local. Si vous n'êtes pas familier avec ces codes et ces exigences, veuillez contacter un électricien qualifié.*
- Suitable for Damp Locations.
- Convient aux emplacements humides*
- Access above ceiling required. Do not install insulation within 3"(76mm) of any part of the luminaire. Suitable for suspended ceilings.  
*Accès requis au-dessus du plafond. Ne pas mettre l'isolant à moins de 76 mm (3 po) de toute partie du luminaire. Convient aux plafonds suspendus.*
- Do not handle energized module with wet hands or when standing on wet or damp surfaces, or in water

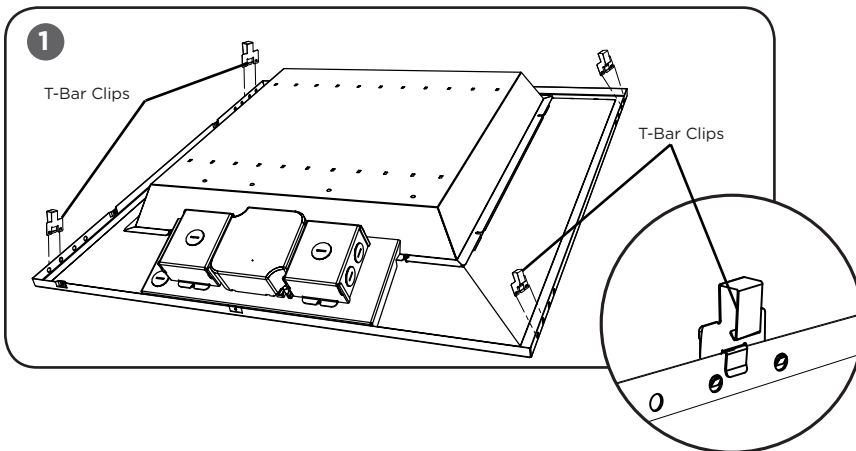
#### SAVE THESE INSTRUCTIONS FOR FUTURE REFERENCE

### INSTALLATION INSTRUCTIONS INSTRUCTIONS D'INSTALLATION



- The LR22 Series of recessed troffers is for non-insulated ceiling applications using T-Bar ceiling grid only.
- Designed for use in 120-277V, 50-60 Hertz protected circuit (fuse box, circuit breaker). Supply wire sized as per NEC or governing code(s), 90C rated.

#### TO INSTALL:



#### T-BAR CEILING MOUNTING

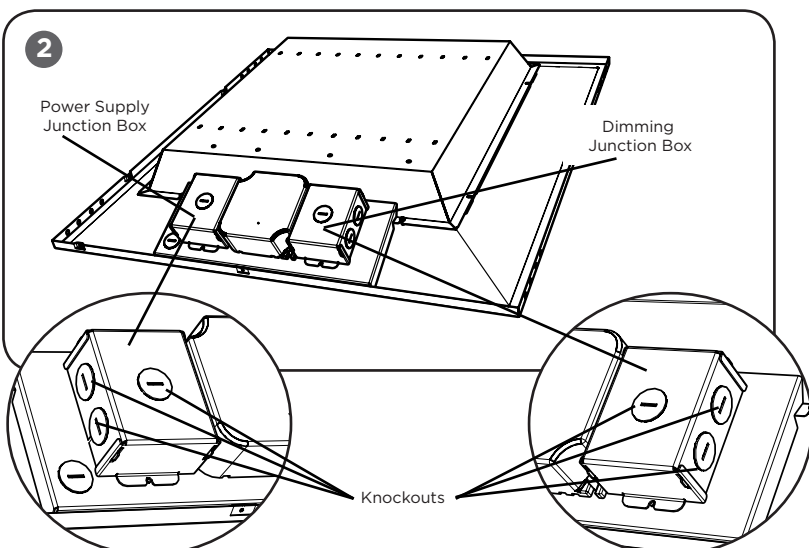
##### STEP 1:

Install the (4) supplied T-Bar clips (if applicable) onto the outside of the housing. See **Figure 1**.

**NOTE:** T-Bar clips are sold separately from the LR22 luminaire as an optional accessory.

##### STEP 2:

Bring the LR troffer into the T-Bar Ceiling panel and attach the clips on the housing onto the T-Bar (if applicable).



#### 0 - 10V DIMMING OPTION

##### STEP 1:

Remove the junction box located on the left and bring in appropriate power supply to the junction box using one of the knock-outs. See **Figure 2**.

##### STEP 2:

Remove the junction box located on the right and bring dimming conduit into junction box using one of the knock-outs. See **Figure 2**.

##### STEP 3:

Wire luminaire per **“Electrical Connections”** section and push all leads into the junction box. Reattach junction box cover that was removed in Step 1 and 2, make sure no wires are pinched.

## ELECTRICAL CONNECTIONS

### STEP 1:

Make the following Electrical Connections:

- Connect the black fixture lead to the voltage supply Line position.
- Connect the white fixture lead to the neutral supply position.
- Connect the green or green/yellow ground lead to the supply ground lead.
- If 0/1-10v Dimming is used, connect the violet lead to the supply positive dimming lead.
- If 0/1-10v Dimming is used, connect the gray lead to the supply negative dimming lead.

