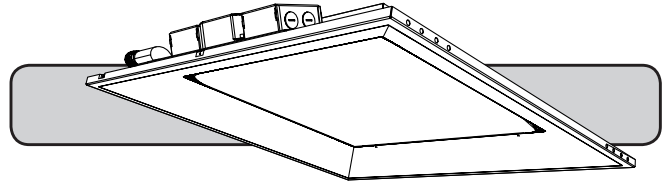


IMPORTANT SAFEGUARDS

When using electrical equipment, basic safety precautions should always be followed including the following:

READ AND FOLLOW ALL SAFETY INSTRUCTIONS

1. **DANGER**- Risk of shock- Disconnect power before installation.
2. **CAUTION** – Installation and servicing should be performed by qualified personnel only. De-energize before opening.
3. To reduce the risk of electric shock, disconnect both standard and emergency power supplies and converter connector of the emergency driver before servicing.
4. Do not use outdoors.
5. Suitable for damp locations.
6. Do not let power supply cords touch hot surfaces.
7. Do not mount near gas or electric heaters.
8. Use caution when servicing batteries. Battery acid can cause burns to skin and eyes. If acid is spilled on skin or eyes, flush acid with fresh water and contact a physician immediately.
9. Equipment should be mounted in locations and heights where it will not readily be subjected to tampering by unauthorized personnel.
10. The use of accessory equipment not recommended by the manufacturer may cause an unsafe condition.
11. Max. mounting height: 10 ft.
12. Access above ceiling required. Do not install insulation within 3" (76mm) of any part of the luminaire.
13. Suitable for suspended ceilings.
14. Do not handle energized module with wet hands or when standing on wet or damp surfaces, or in water.

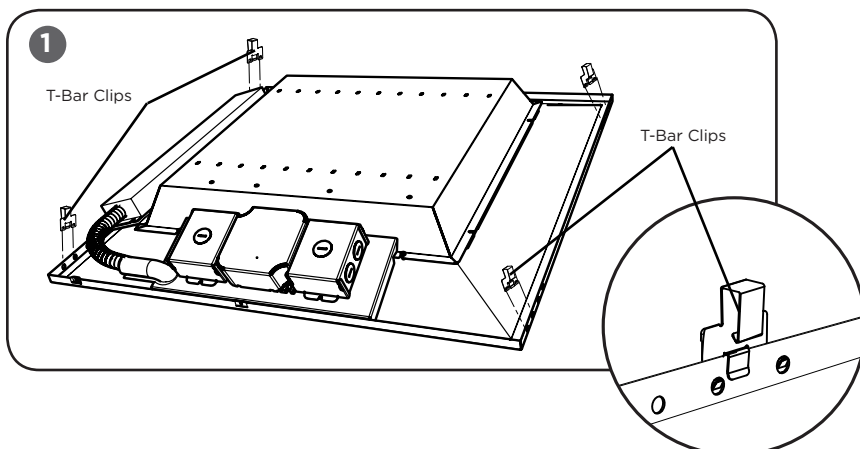


INSTALLATION INSTRUCTIONS

SAVE THESE INSTRUCTIONS FOR FUTURE REFERENCE

- The LR22 Series of recessed troffers is for non-insulated ceiling applications using T-Bar ceiling grid only.
- Designed for use in 120-277V, 50-60 Hertz protected circuit (fuse box, circuit breaker). Supply wire sized as per NEC or governing code(s), 90C rated.
- Dimming leads shall connect only to circuitry identified as a Class 2 Circuit in accordance with the national and local Electrical Wiring Codes.

TO INSTALL:



T- BAR CEILING MOUNTING

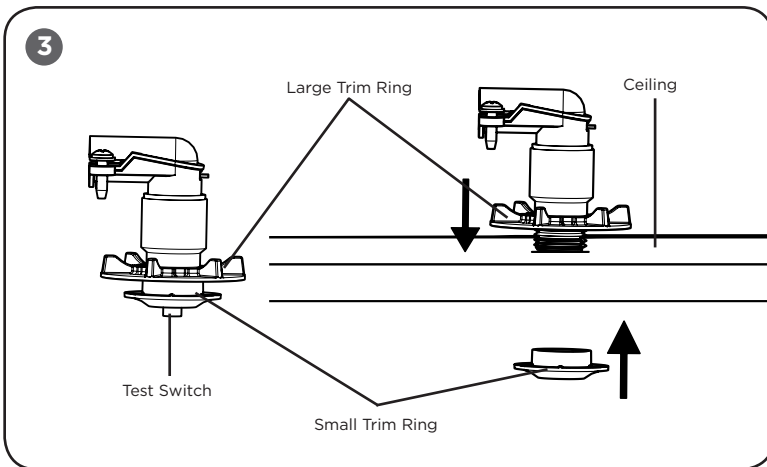
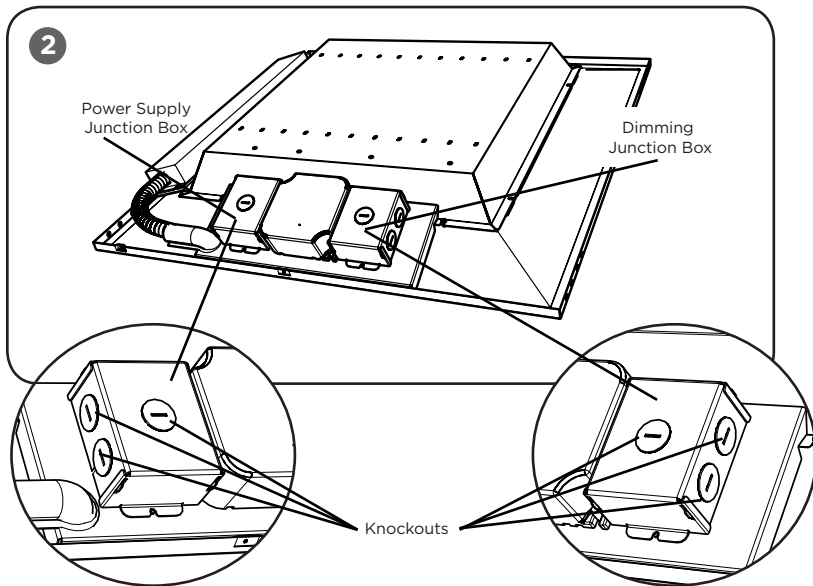
STEP 1:

Install the (4) supplied T-Bar clips (if applicable) onto the outside of the housing. See **Figure 1**.

NOTE: T-Bar clips are sold separately from the LR22 luminaire as an optional accessory.

STEP 2:

Bring the LR troffer into the T-Bar Ceiling panel and attach the clips on the housing onto the T-Bar (if applicable).



0 - 10V DIMMING OPTION

STEP 1:

Remove the junction box located on the left and bring in appropriate power supply to the junction box using one of the knock-outs. See **Figure 2**.

STEP 2:

Remove the junction box located on the right and bring dimming conduit into junction box using one of the knock-out. See **Figure 2**.

STEP 3:

Wire luminaire per “**Electrical Connections**” section and push all leads into the junction box. Reattach junction box cover that was removed in Step 1 and 2, make sure no wires are pinched.

STEP 4:

Install test switch assembly into ceiling by drilling a 1” hole into the ceiling.

STEP 5:

Unscrew the small trim ring and place test switch assembly through the ceiling. See **Figure 3**.

STEP 6:

Secure the test switch assembly by screwing the small trim ring removed in Step 5 back onto the test switch assembly. Tighten the larger trim ring above the ceiling until it is snugged tight against the ceiling. See **Figure 3**.

EMERGENCY DRIVER CHECK

NOTE: For short-term testing of the emergency function, the battery must be charged for at least one hour. The emergency driver must be charged for at least 24 hours before conducting a long-term test.

STEP 1:

When AC power is applied, the charging indicator light is illuminated, indicating the battery is being charged. When power fails, the emergency driver automatically switches to emergency power, operating the LED array. When AC power is restored, the emergency driver returns to the charging mode.

STEP 2:

Although no routine maintenance is required to keep the emergency driver functional, it should be checked periodically to ensure that it is working. The following schedule is recommended:

- Visually inspect the charging indicator light monthly. It should be illuminated.
- Test the emergency operation of the fixture at 30-day intervals for a minimum of 30 seconds. When the test switch is depressed, the LED array should operate.
- Conduct a 90-minute discharge test once a year. The LED array should operate for at least 90 minutes.

If the luminaire fails any of these checks, consult service personnel.

REFER ANY SERVICING INDICATED BY THESE CHECKS TO QUALIFIED PERSONNEL
EMERGENCY DRIVER AND AC DRIVER MUST BE FED FROM THE SAME BRANCH
CIRCUIT

ELECTRICAL CONNECTIONS-

NOTE: The emergency driver must be fed from the same branch as the AC Driver.

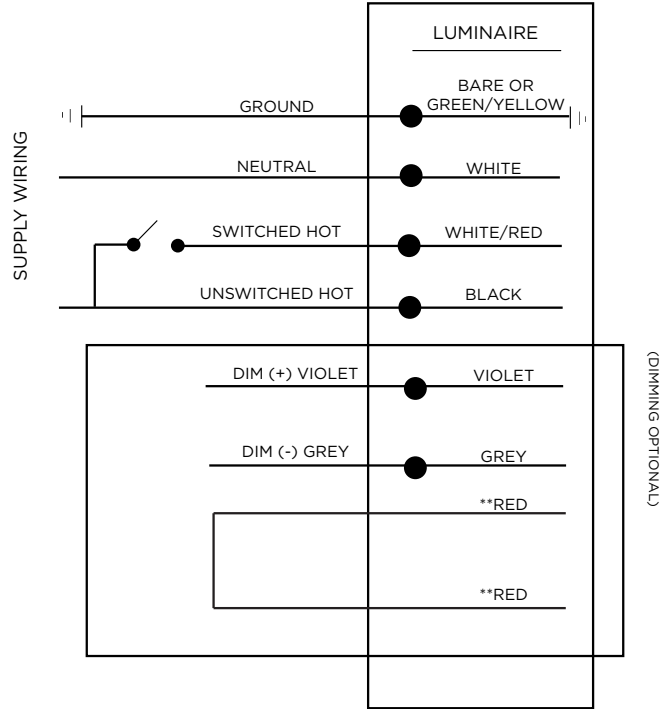
STEP 1:

Using customer supplied 90°C minimum rated wire connectors, make the following electrical connections:

- Connect the black luminaire lead to the unswitched voltage supply lead.
- Connect the white/red luminaire lead to the switched supply switched.
- Connect white luminaire lead to the neutral supply lead.
- Connect ground bare or green/yellow wire lead to the supply ground lead.
- If 0/1-10v Dimming is used, connect the violet lead to the supply positive dimming lead.
- If 0/1-10v Dimming is used, connect the gray lead to the supply negative dimming lead.

STEP 2:

Locate the two red leads in the junction box and connect them using customer supplied connector.



**** NOTE: DO NOT** mate leads until installation is complete and AC power is supplied